

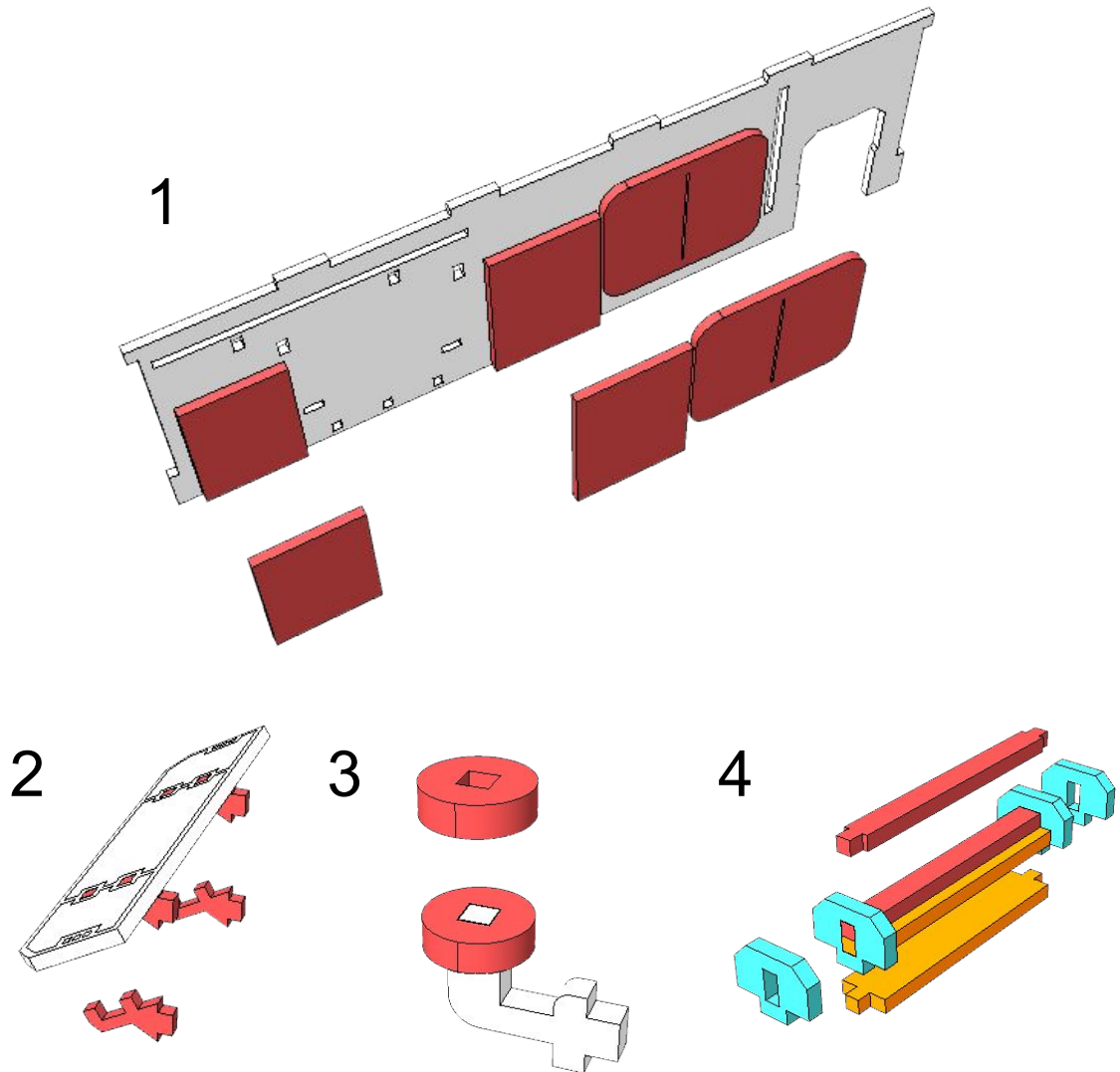
## Assembly-

MDF and card are best assembled using PVA/white/tacky craft glue.  
Superglue will soak into the MDF and card and not adhere well

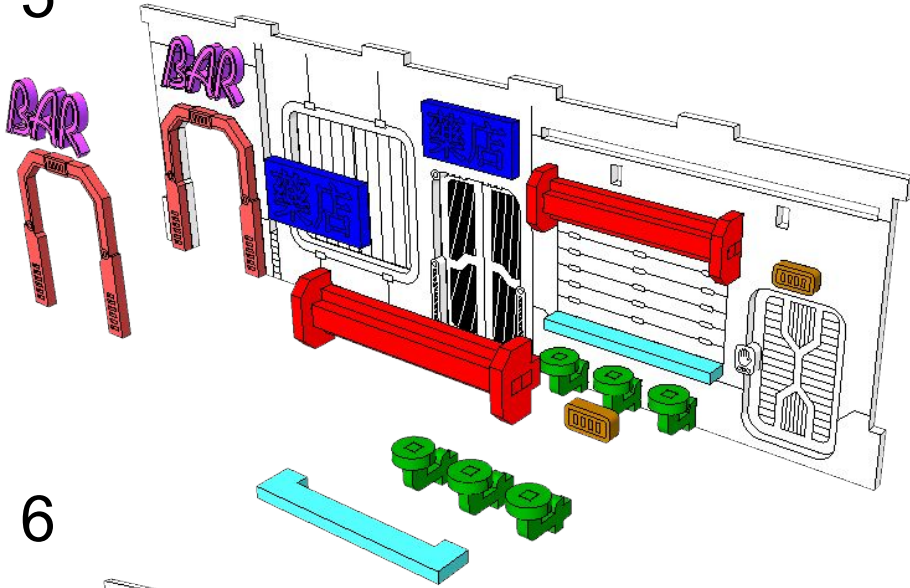
## Painting –

The MDF and card can be painted and we recommend:

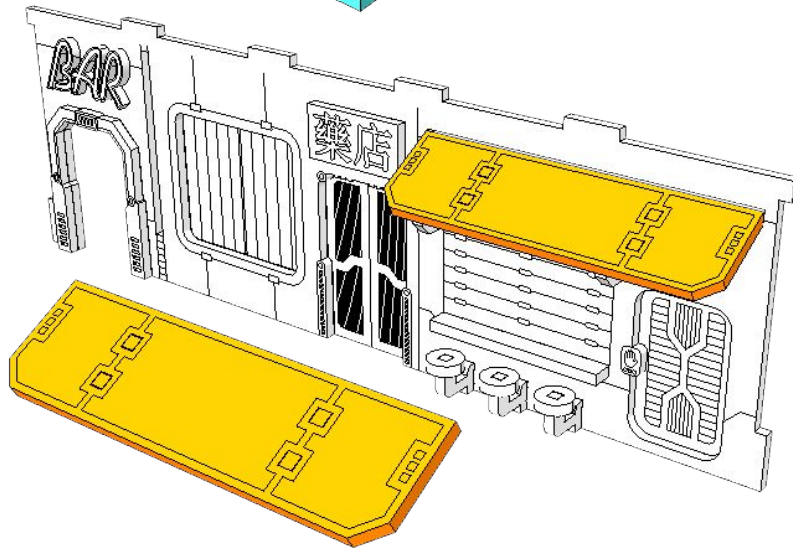
1. Undercoat – Spray paint
2. First coat - Acrylic paint for background colour
3. Sealer – Gloss clear spray paint (this will help the painting in of the detail and protect the layers of paint below)
1. Detail highlight – Acrylic paint for text and figures
2. Topcoat - Matt or satin clear spray paint



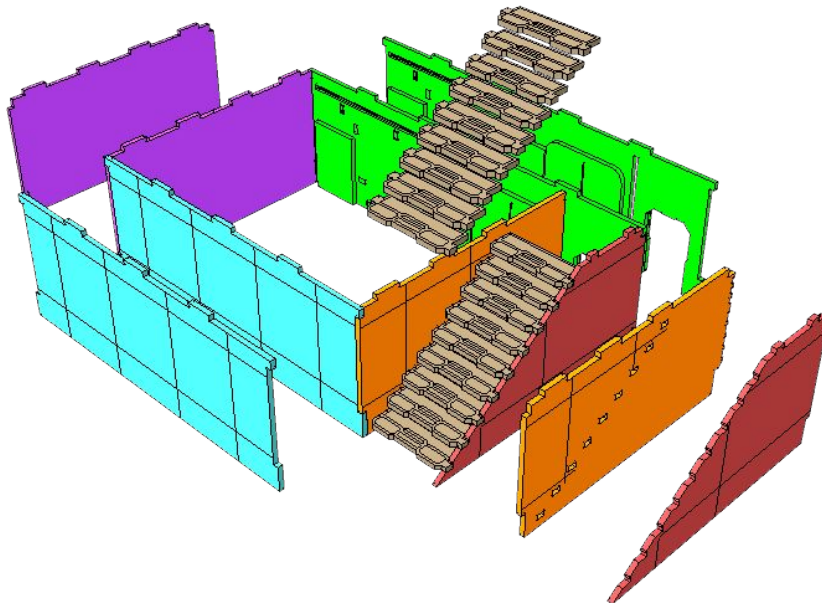
5



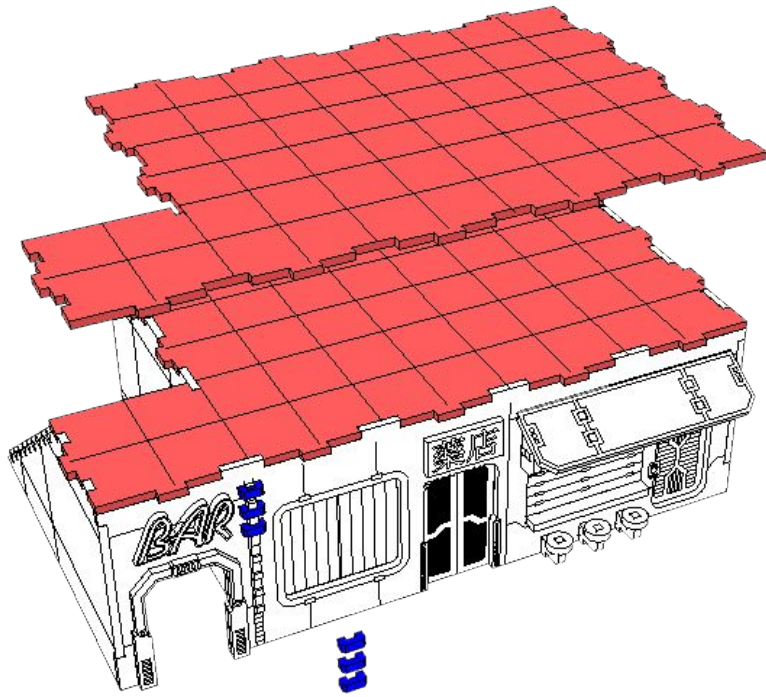
6



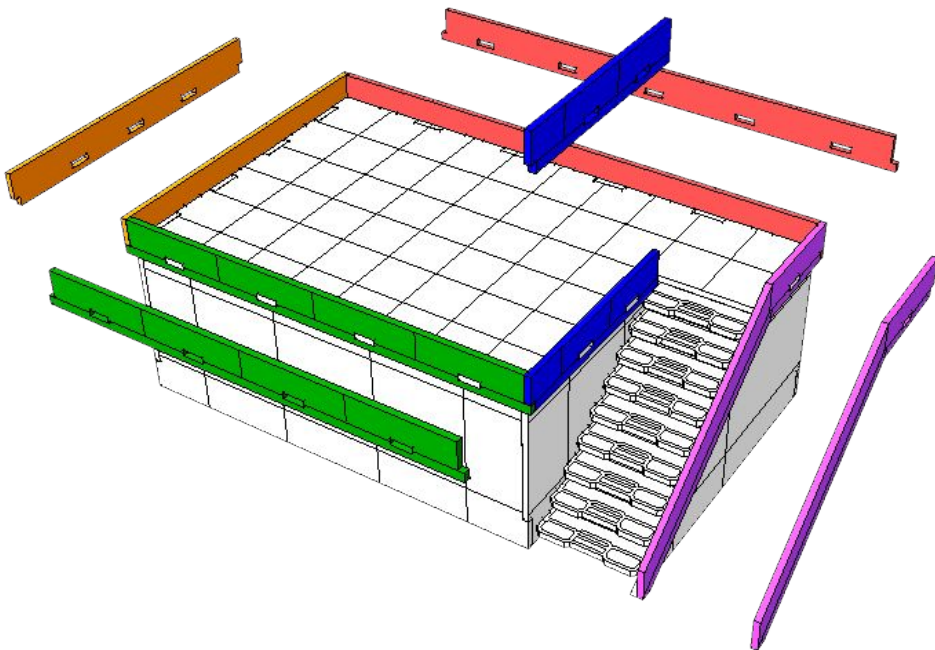
7



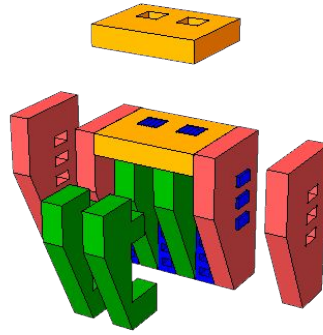
8



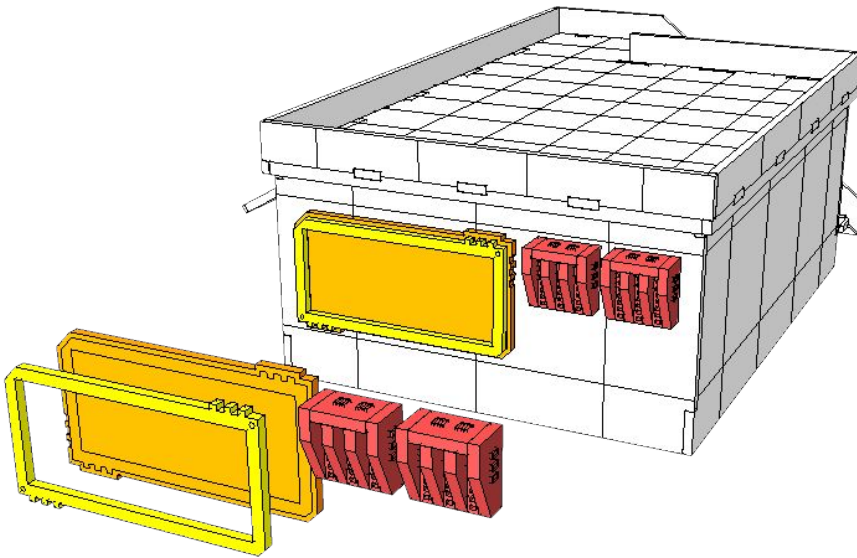
9



10



11



12

