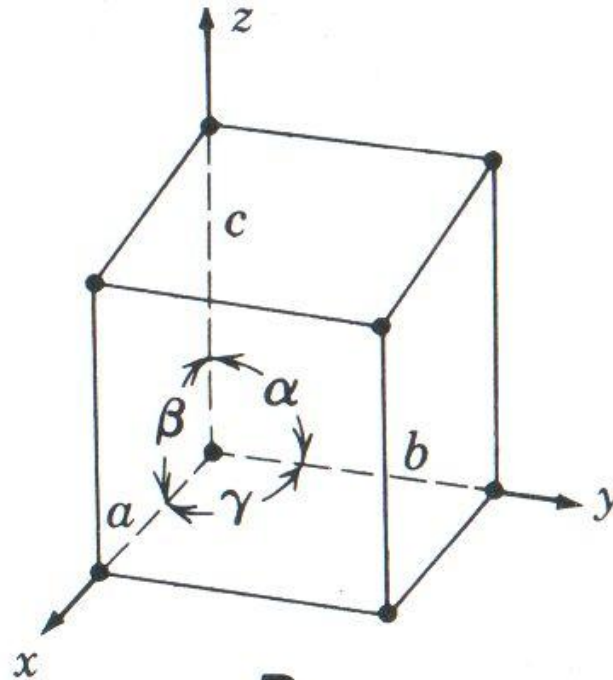


Bravě režíi

# Triklinā singonija



**P**

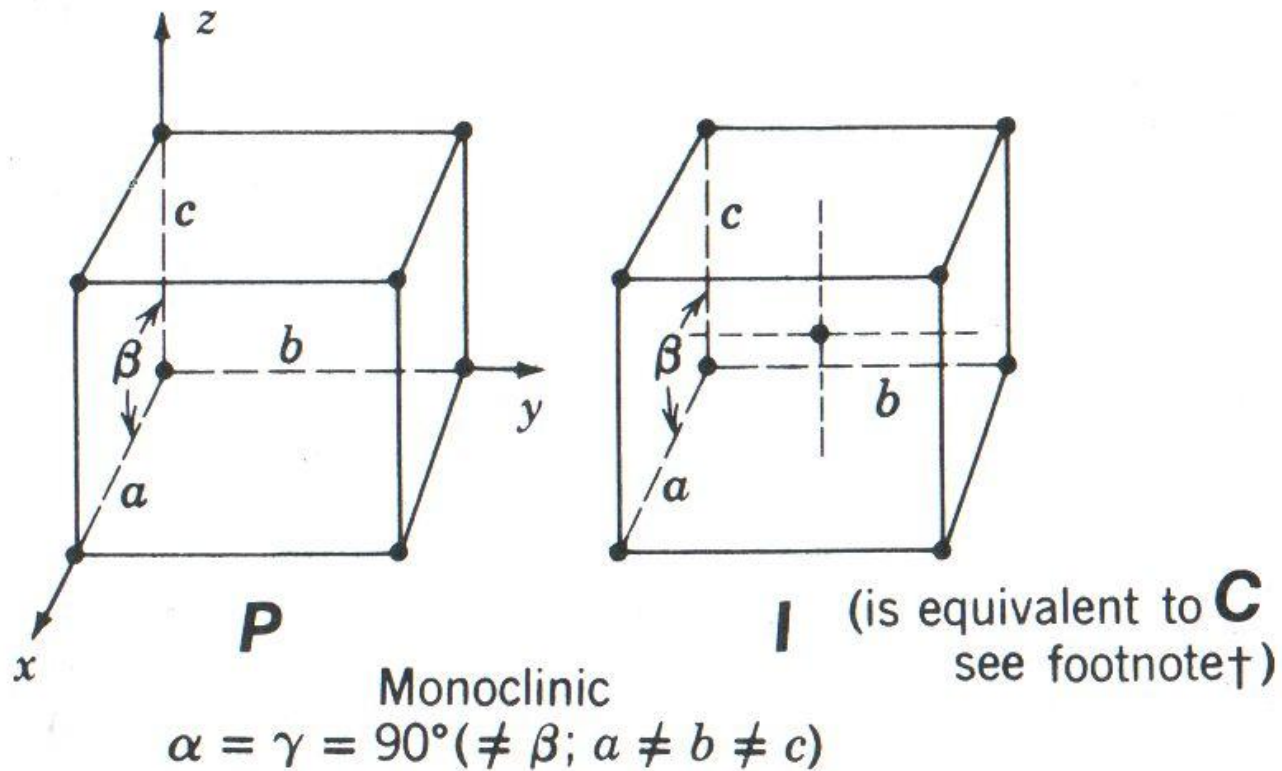
Triclinic

$(\alpha \neq \beta \neq \gamma; a \neq b \neq c)$

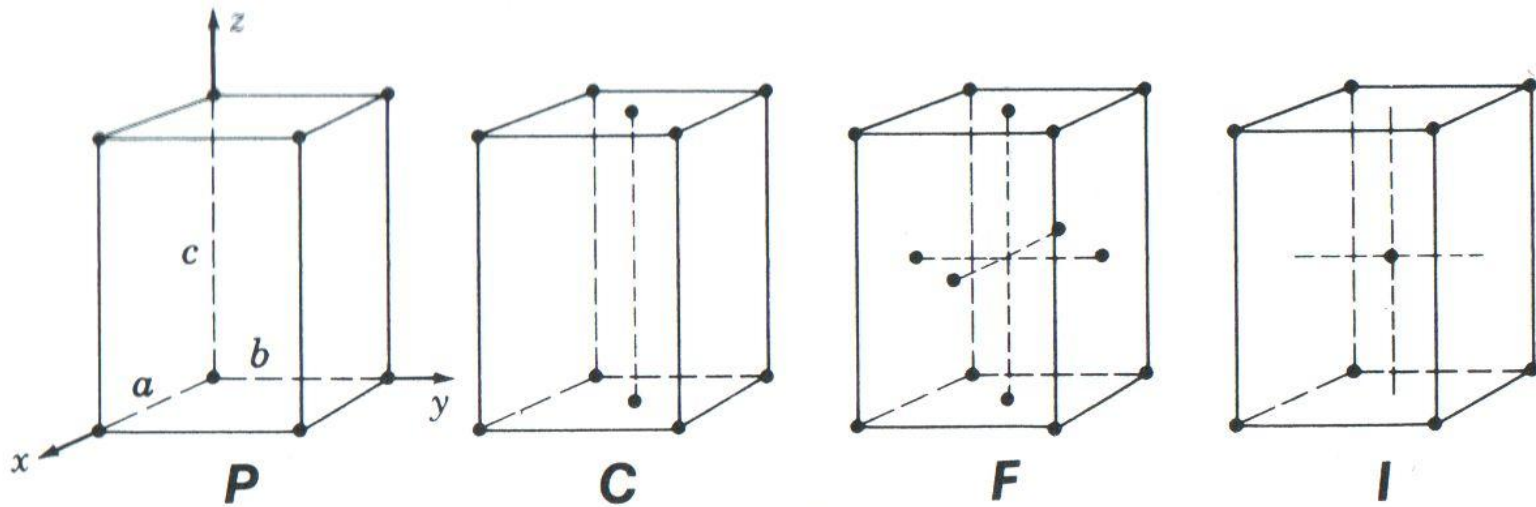
i.e. no symmetry

imposed restrictions

# Monoklīnā singonija



# Rombiskā singonija



Orthorhombic  
 $\alpha = \beta = \gamma = 90^\circ (a \neq b \neq c)$

# Trigonālā singonija



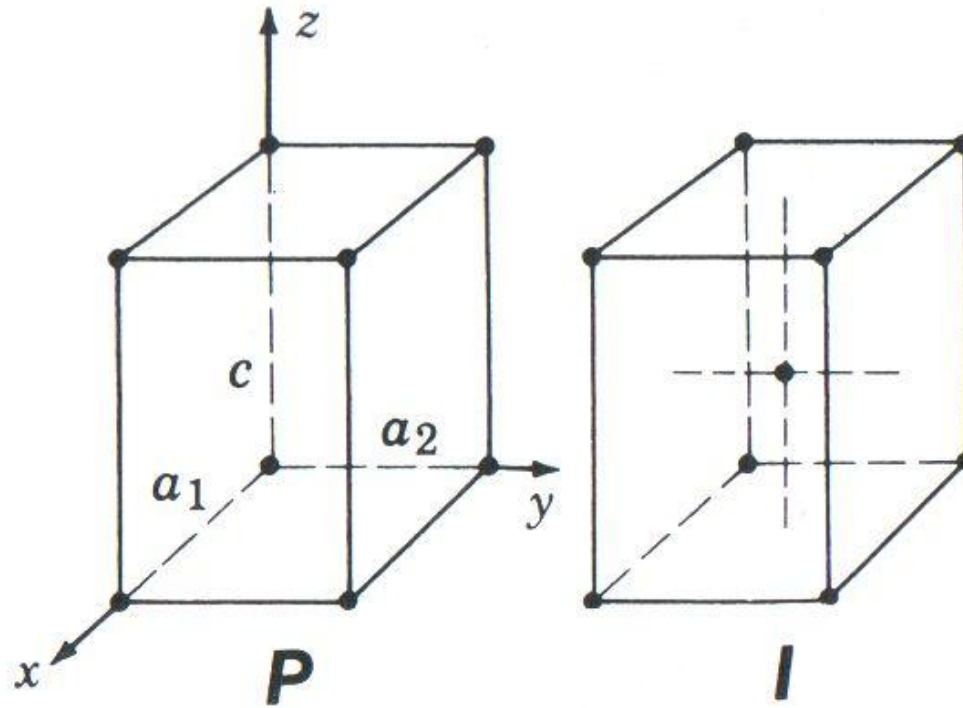
**R**

Rhombohedral

$$\alpha = \beta = \gamma \neq 90^\circ;$$

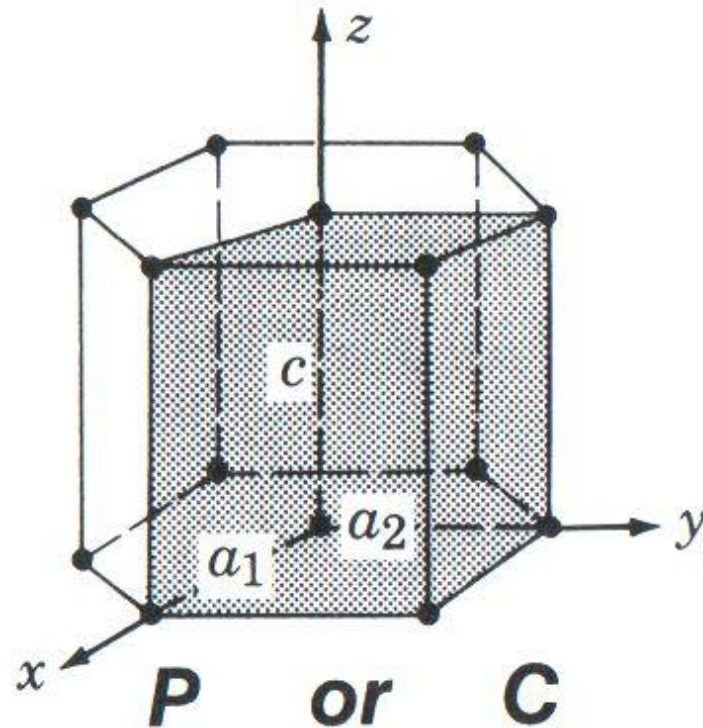
$$a = b = c$$

# Tetragonālā singonija



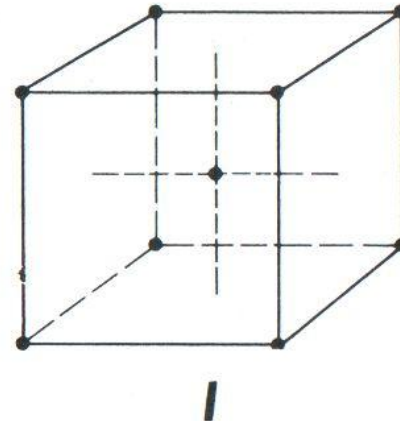
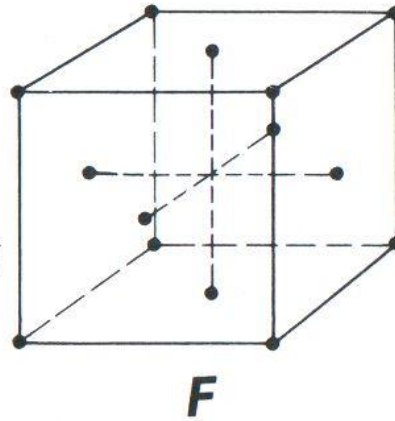
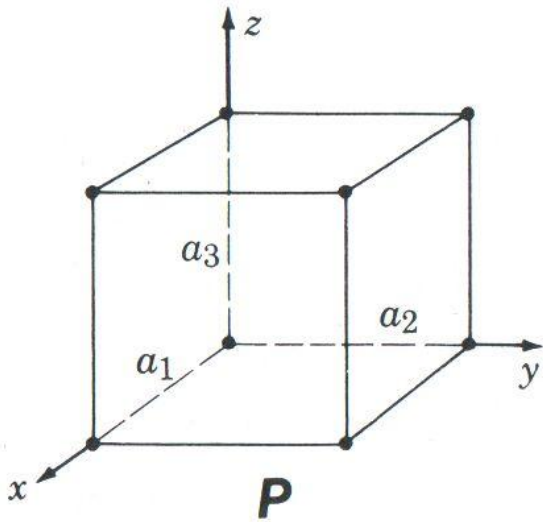
Tetragonal  
 $\alpha = \beta = \gamma = 90^\circ; a = b (\neq c)$

# Heksagonālā singonija



Hexagonal  
 $\alpha = \beta = 90^\circ; \gamma = 120^\circ;$   
 $a = b (\neq c)$

# Kubiskā singonija



Isometric  
 $\alpha = \beta = \gamma = 90^\circ$   
 $a = b = c$