

Presentation on the topic: **Parts and mechanisms**



Blashchuk Semen

4 course

Leader L. P. Silkina

Ministry of Education and Youth
Policy of the Republic of Komi

state professional educational
institution

«Syktyvkar College of service and
communications»

2018г.

What is such a detail ?

Detail made, manufactured, or subject to manufacture the product, which is part of the machine, or any technical design, made from a homogeneous in structure and material properties without the use of any assembly operations.



What is the mechanism?

The mechanism of the internal structure of the machine, device, apparatus, leading them into action. The mechanisms are used to transmit motion and energy conversion (gearbox, pump, electric motor).



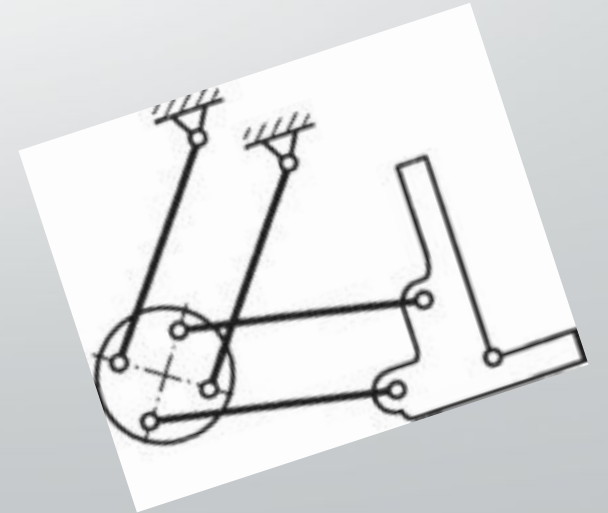
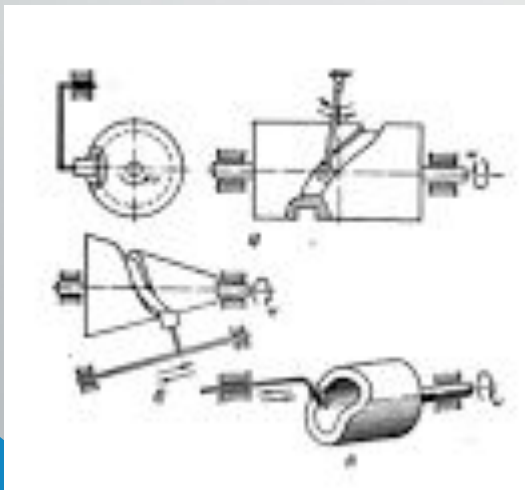
Types of mechanisms

- Flat gears

The mechanism, all points of which describe trajectories lying in parallel to each other planes, is called flat.

- Spatial mechanisms

The mechanism that is not flat is called spatial



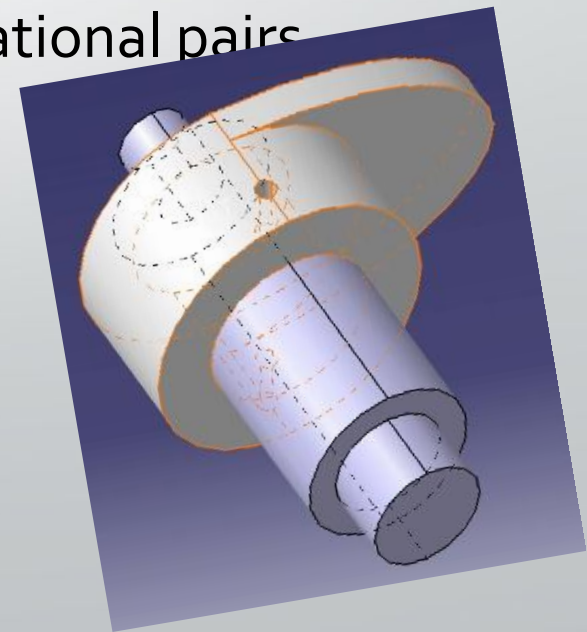
Types of mechanisms

- Cam mechanisms

An example of such a mechanism can serve as a crowd, the pestle of which consists of a vertically positioned and capable of having vertical movement of a bar ending at the bottom with a heavyweight head.

- Swivel mechanisms

Mechanisms consisting of rigid links interconnected only by rotational pairs are called articulated



First mechanical invention

Antikythera mechanism-mechanical device, raised in 1901 from an ancient ship. The mechanism dates from around 100 BC. uh. The mechanism contained at least 30 bronze gears in a rectangular wooden case, on the bronze front and rear panels of which were placed dials with arrows



First mechanical invention

- The mechanism was used to calculate the motion of celestial bodies and revealed the date of 42 astronomical events. In 2017, using a specially developed computer program, it was found that the device was probably developed or used in an area located within the Island of Rhodes and Syracuse, often offered as places where the anti-mitigation mechanism was created or used



What parts are often used in life

- Screw

Designed for the formation of a threaded connection or fixation

- Hook

A part that is commonly used to secure and lift cargo

- Machine part

machine parts, each of which is a whole and cannot be disassembled into more simple, integral parts of machines without destruction

Literature

- <https://ru.wikipedia.org/wiki/Деталь>
- [https://ru.wikipedia.org/wiki/Механизм#Типы механизмов](https://ru.wikipedia.org/wiki/Механизм#Типы_механизмов)
- [https://ru.wikipedia.org/wiki/Антикитерский механизм](https://ru.wikipedia.org/wiki/Антикитерский_механизм)
- [https://ru.wikipedia.org/wiki/Винт \(деталь\)](https://ru.wikipedia.org/wiki/Винт_(деталь))
- [https://ru.wikipedia.org/wiki/Крюк \(деталь\)](https://ru.wikipedia.org/wiki/Крюк_(деталь))

Thanks for attention!



Presentation on the topic: **Parts and mechanisms**



Blashchuk Semen

4 course

Leader L. P. Silkina

Ministry of Education and Youth
Policy of the Republic of Komi

state professional educational
institution

«Syktyvkar College of service and
communications»

2018г.