

The XPG logo is rendered in a bold, italicized, red sans-serif font. A thin red horizontal line is positioned above the letters 'P' and 'G', extending from the left edge of the logo towards the right.

**XPG**

**XPG Lading craft  
display cabinet**

2021



**XPG**  
**Lading craft**  
**display cabinet**  
**design**

1





Sid  
e



Front

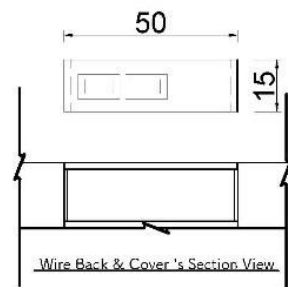


Back



2

Construction

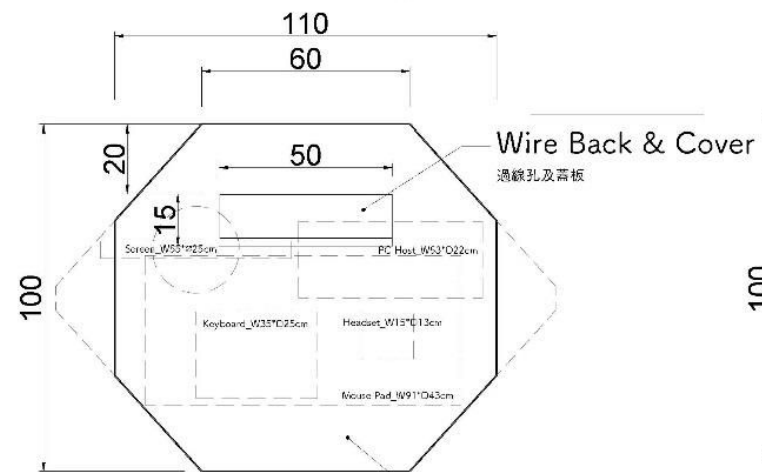


Socket Embedded in Box



Perspective Drawing

3D透視圖

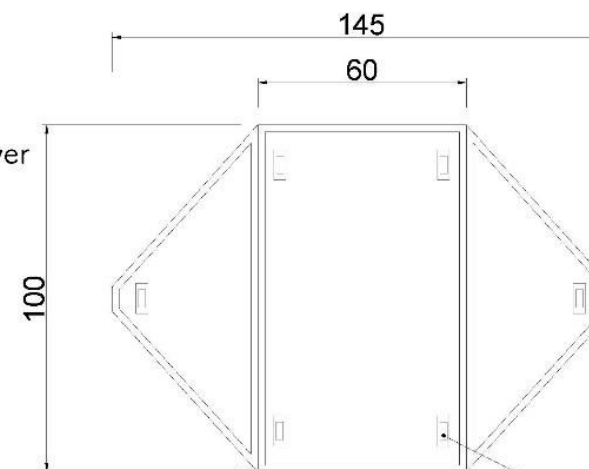


Top View

上視圖(檯面)

Desktop Affixed Black Meinaboard

檯面貼黑色美耐板



Bottom View

俯視圖(底部)

Rubber Wheel\*6

重型橡膠腳輪\*4



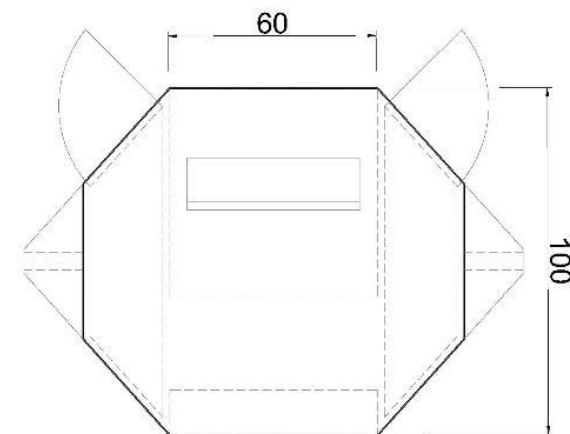
Desktop Affixed Black Meinaboard  
 檢面貼黑色美耐板  
 Back Red Light Acrylic Characters | Detachable panel  
 背光紅色壓克力立體字  
 Install T5 LED  
 T5\_LED\_4000



Red LED Neon strip Light  
內嵌LED紅色霓虹燈條



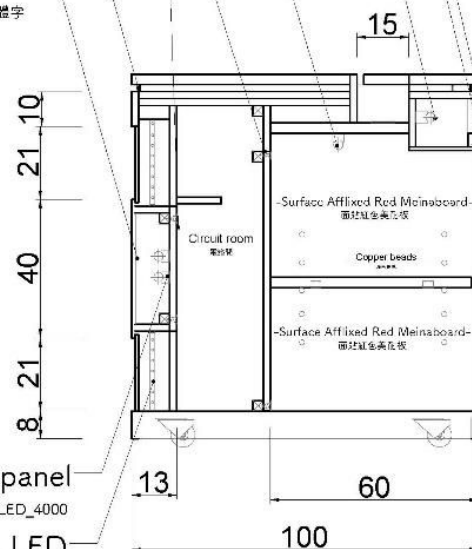
5050Red LED strip Light  
5050LED紅色燈條



Install T5 LED  
 T5\_LED\_4000  
 Detachable backplane  
 可拆背板  
 Embedded Red LED Neon strip Light  
 內嵌LED紅色霓虹燈條  
 Back Red Light Acrylic Characters  
 背光紅色壓克力立體字

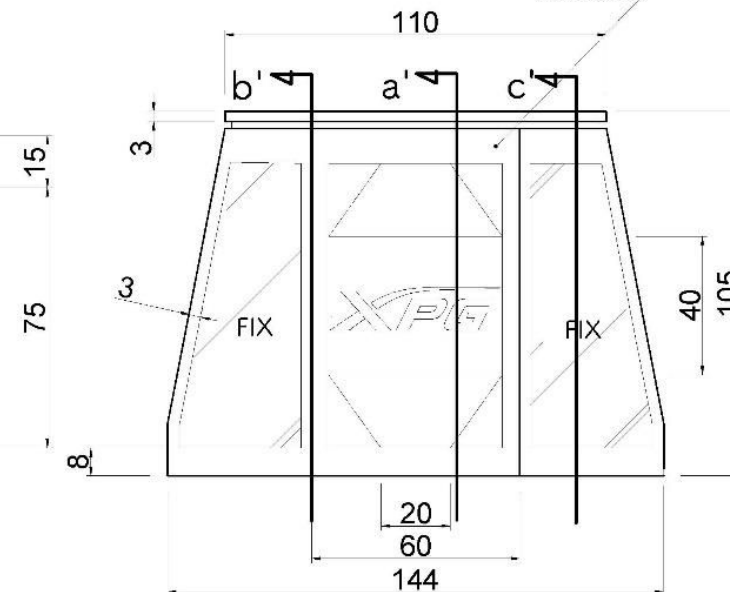


Perspective Drawing  
3D透視圖



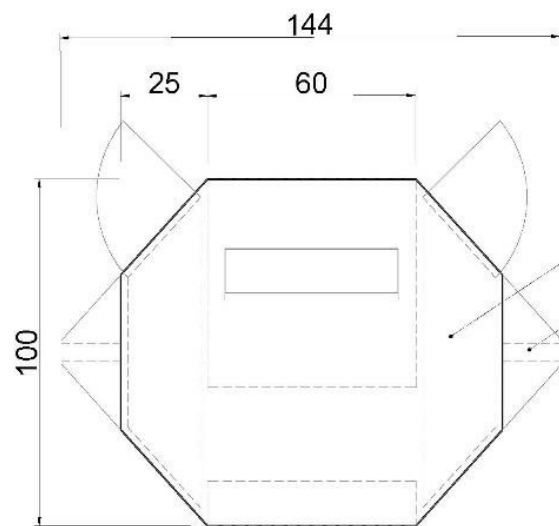
a' Section view  
a' 剖立面圖

Surface Affixed Black Meinaboard  
 面貼紅色美耐板



Front Section view  
立面圖

**XPG**  
 48,6  
 Back Red Light Acrylic Characters  
 背光紅色壓克力立體字  
 12,4



Surface Affixed LOGO Cutting Sheet  
LOGO卡點西德

Inner Affixed Red Meinaboard  
櫃內面貼紅色美耐板

Structural Reinforcement  
結構補強板

Toughened Tempered glass door  
強化清玻璃門

Structural Reinforcement  
結構補強板

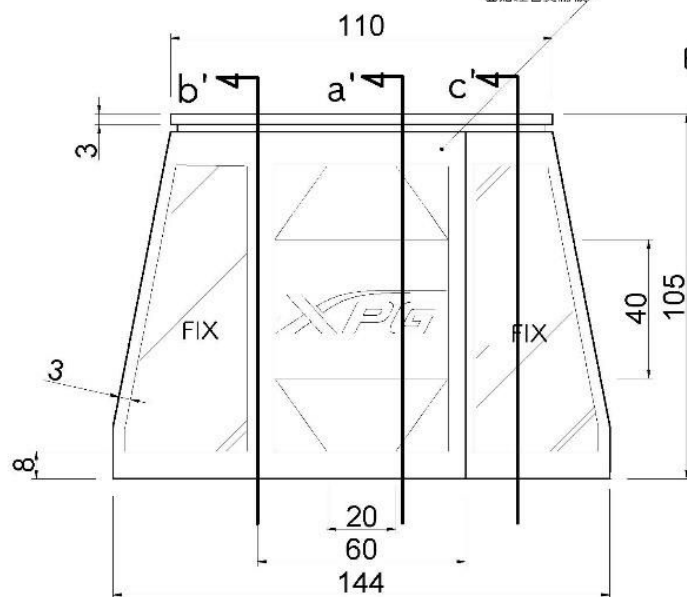
Install T5 LED  
T5\_LED\_4000

Tempered glass  
強化清玻璃

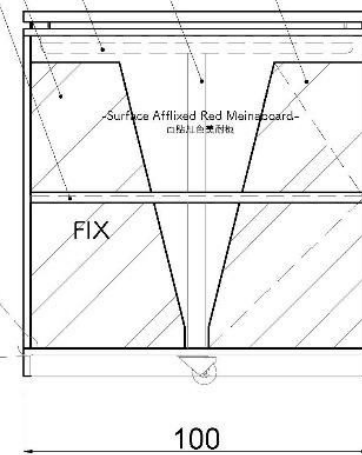
Embedded 5050 LED  
內嵌LED5050紅色燈條

Silicone Caulking  
矽利康填縫  
Tempered glass  
強化清玻璃

Surface Affixed Black Meinaboard  
面貼紅色美耐板



Front Section view  
立面圖



b' Section view  
a剖面圖



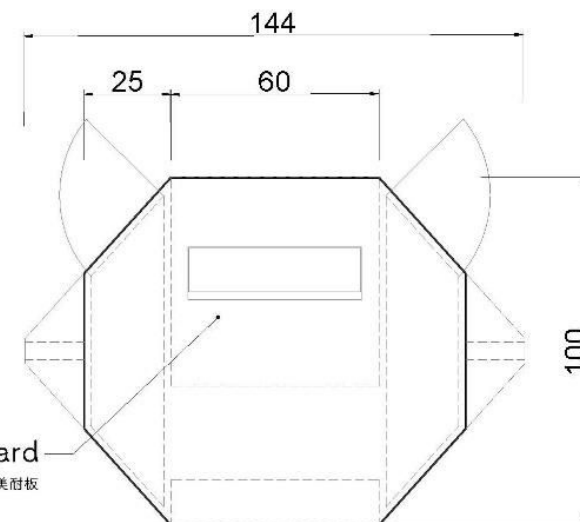
c' Section view  
a剖面圖



Perspective Drawing  
3D透視圖



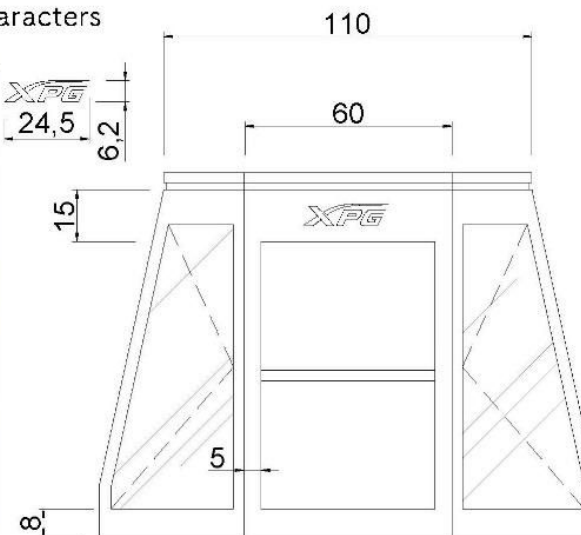
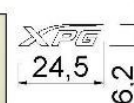
Dark Socket



Inner Affixed Red Mainboard  
櫃內面貼紅色美耐板

Active shelf、Wall Surface Affixed Red Mainboard  
櫃內固定層板、壁面面貼紅色美耐板

Back Red Light Acrylic Characters  
背光紅色壓克力字體



● Install Glass Door Lock If Necessary

Toughened Tempered glass door  
強化消坡玻璃門

Install LED T5 Red Light Under The Fixed Laminate  
層板下方安裝T5燈組

Back Section view  
後方立面圖

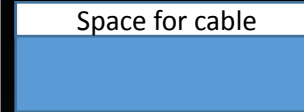
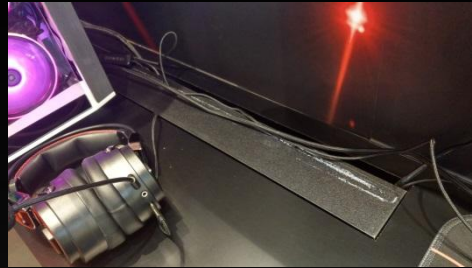
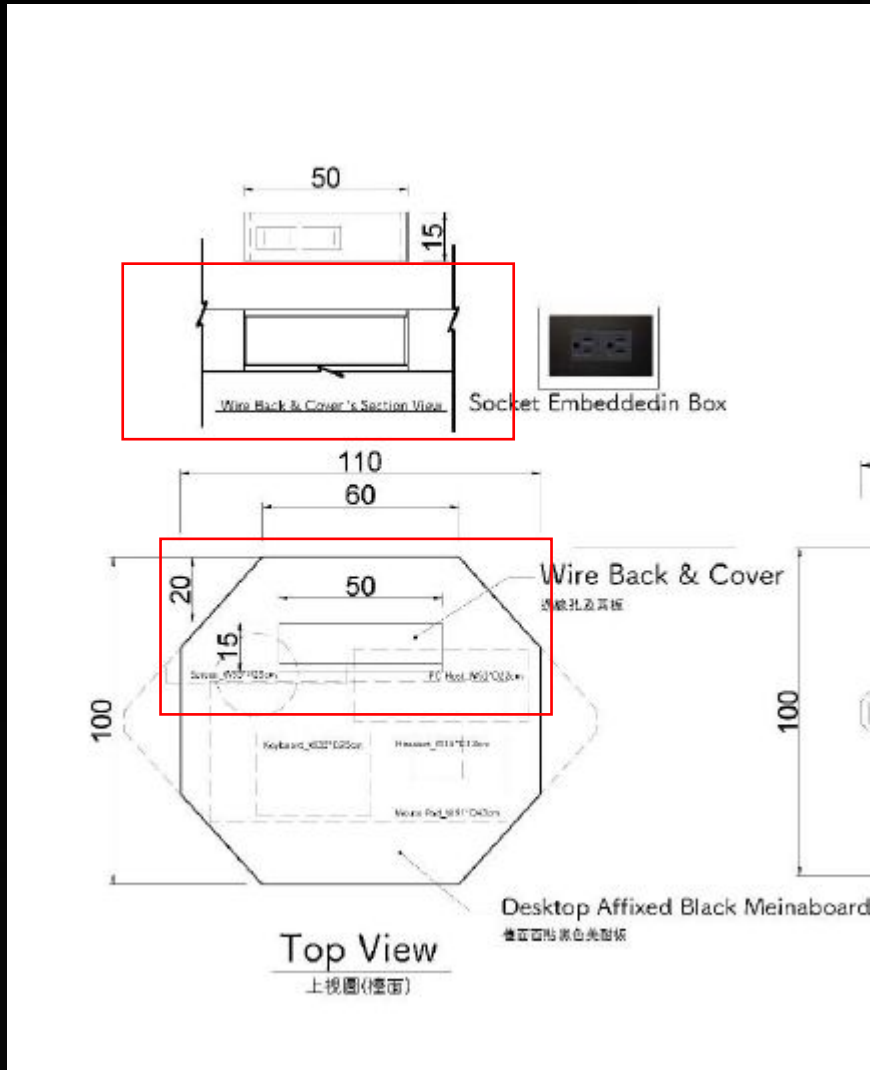


3

**Detail & request**





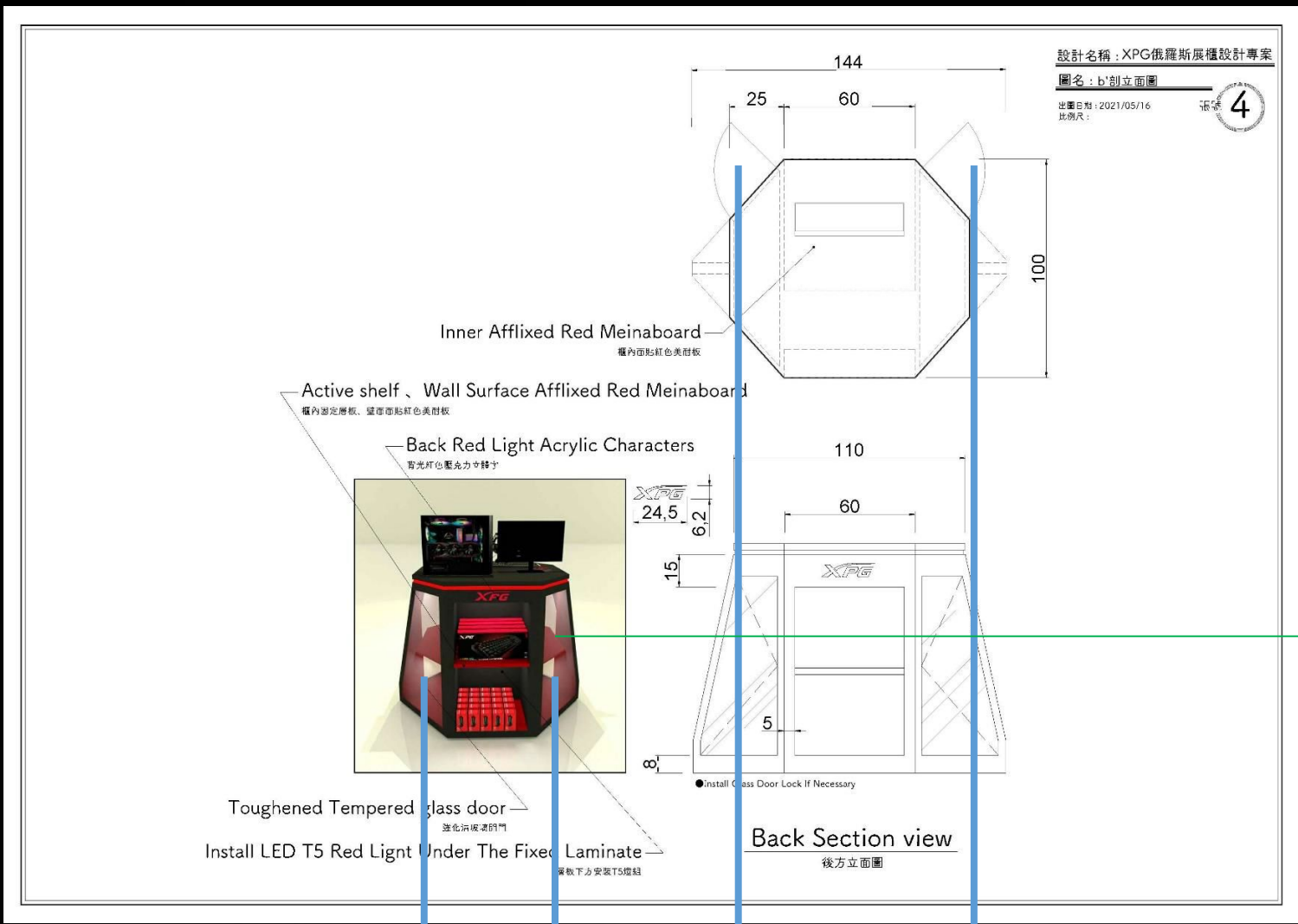


- Suggest make top cover separate from the table top, client can decide which side he want to keep the space for cable

- Consider to wire of power is not soft and may be to keep Laptop Adapter, The depth of this space should be kept at least 10 cm

- Suggest to make one more hold in case future need, like Network cable , HDMI





This space can display XPG products , suggest keep Socket for RGB products

This two glasses door can be opened, also can add a sample lock if local need

4

# Channel example







**XPG**

**XTREME PERFORMANCE GEAR**