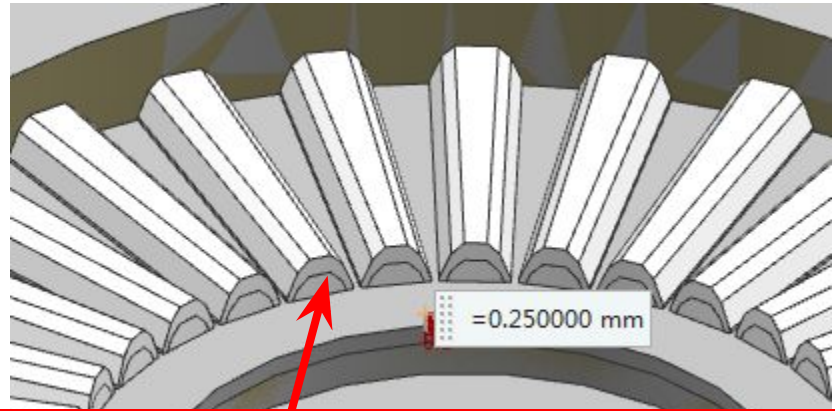
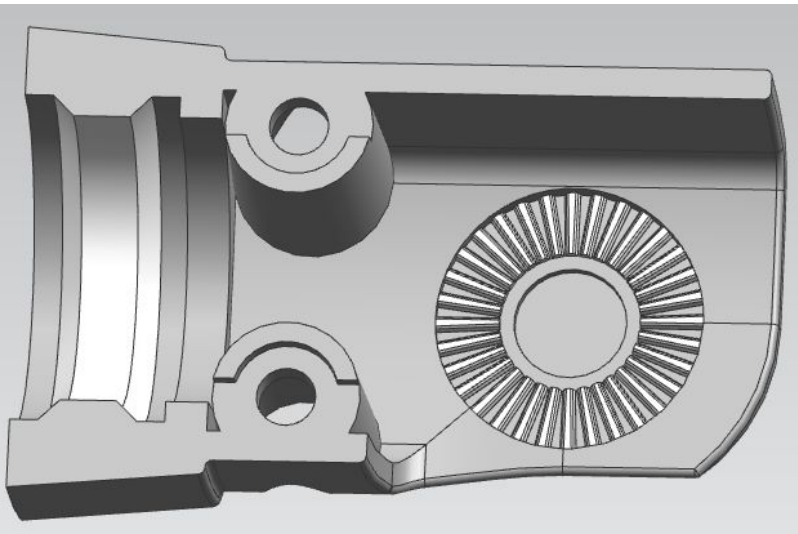
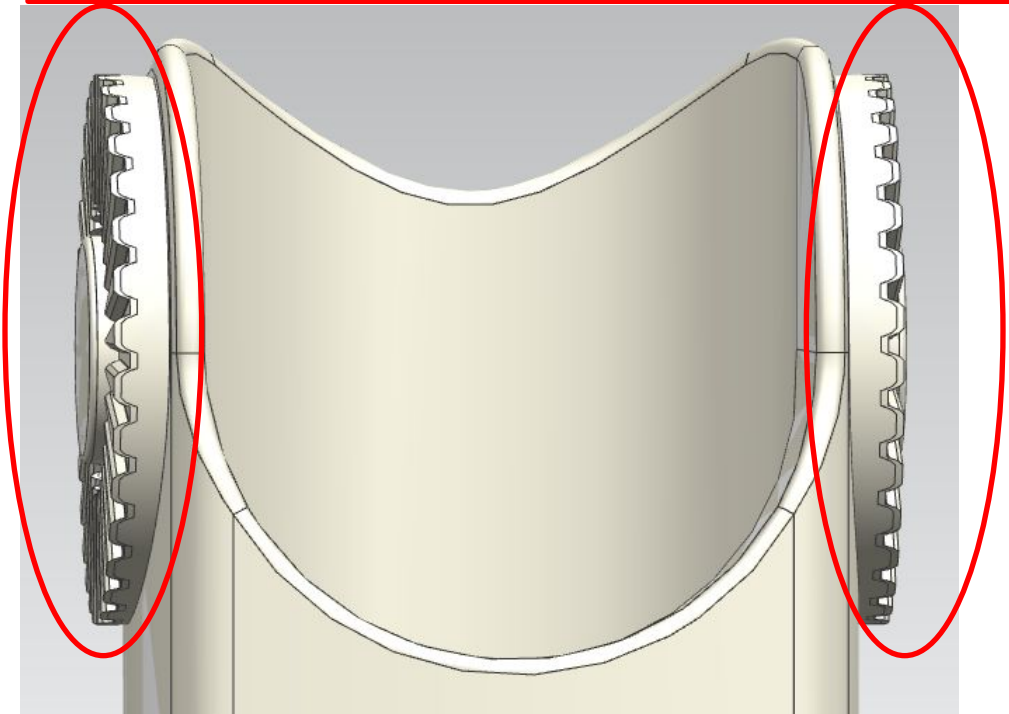
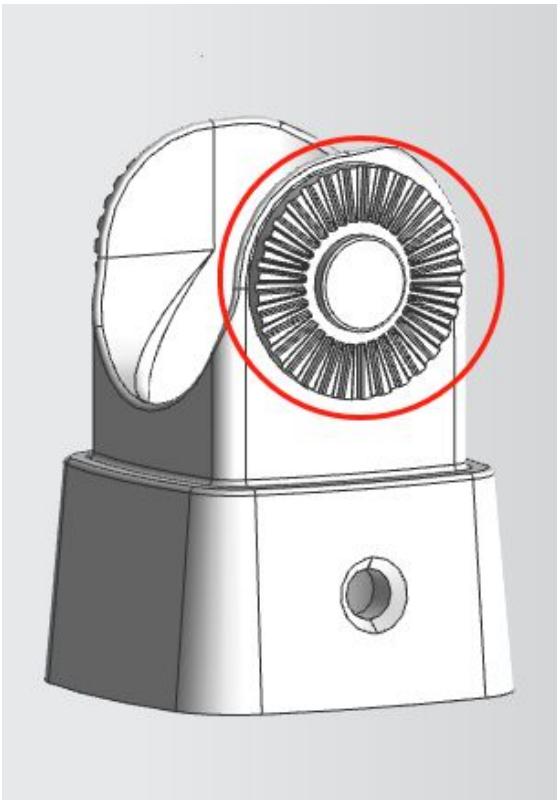


Change 1 from NIC's new file 20220301:
The position for SD is longer
----- OK ,no problem from Hasion 3.1



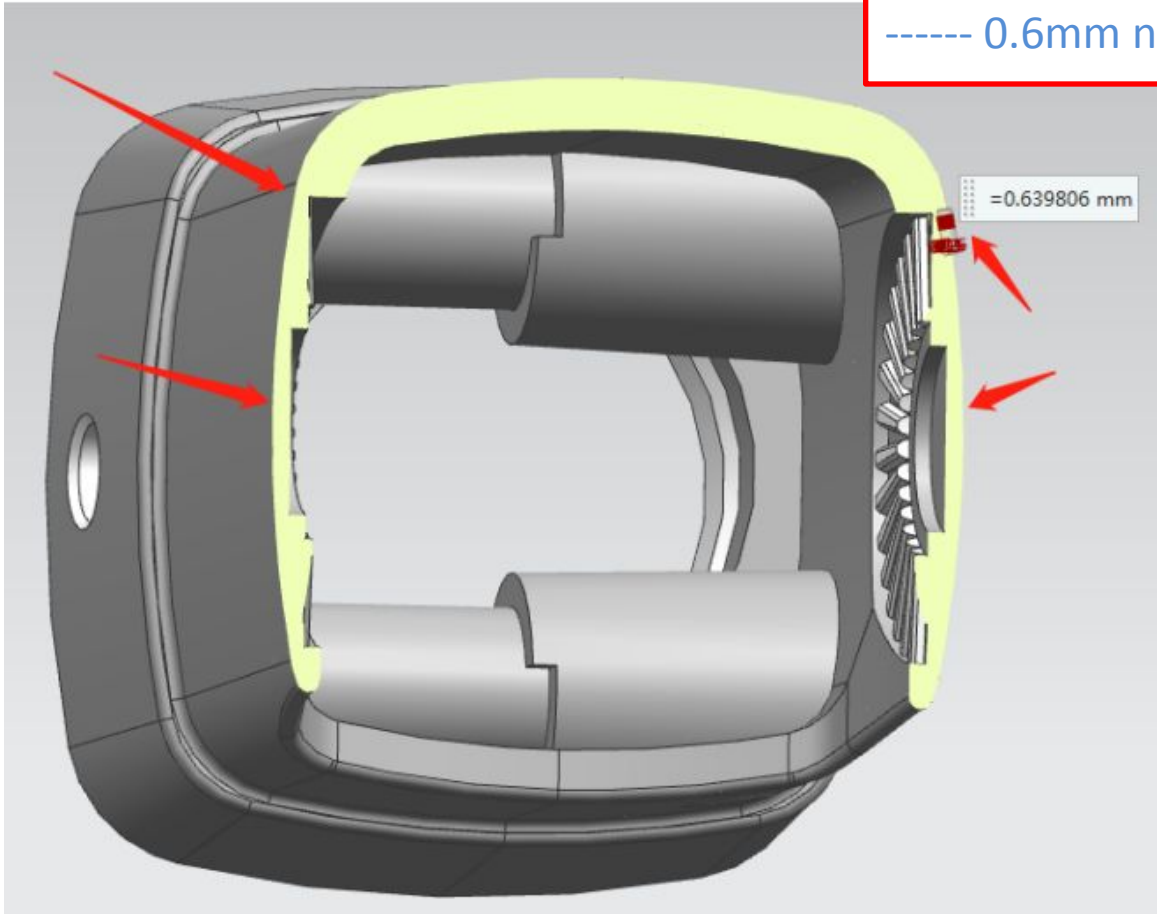
Change 2 from NIC's new file 20220301:
The position for gear
----- OK ,no problem from Hasion 3.1



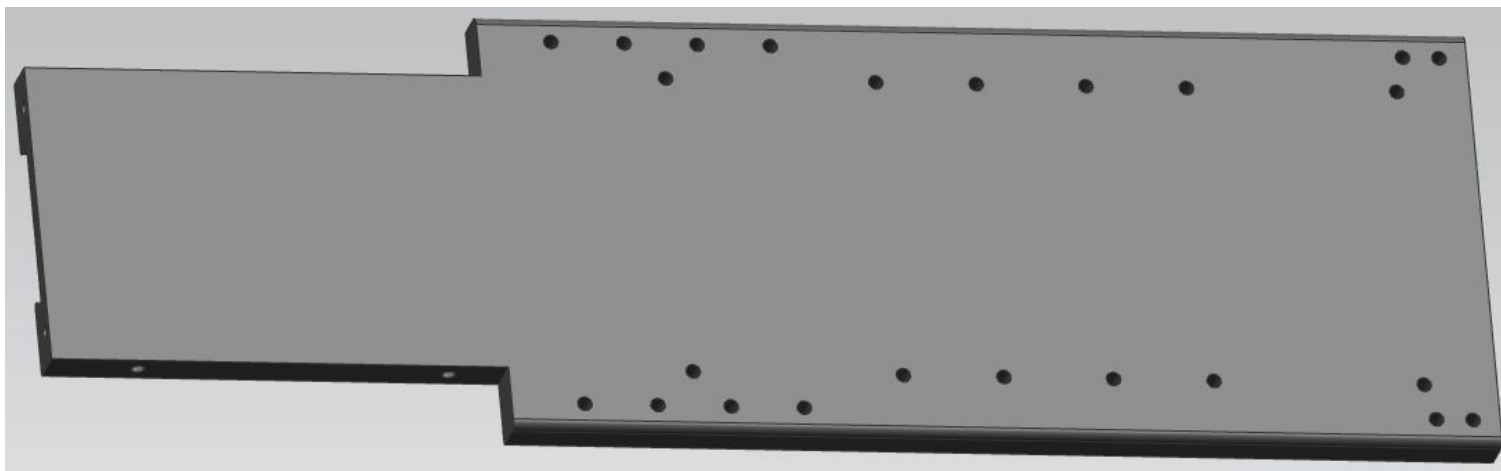
Change 3 from NIC's new file 20220301:

The thickness for here position

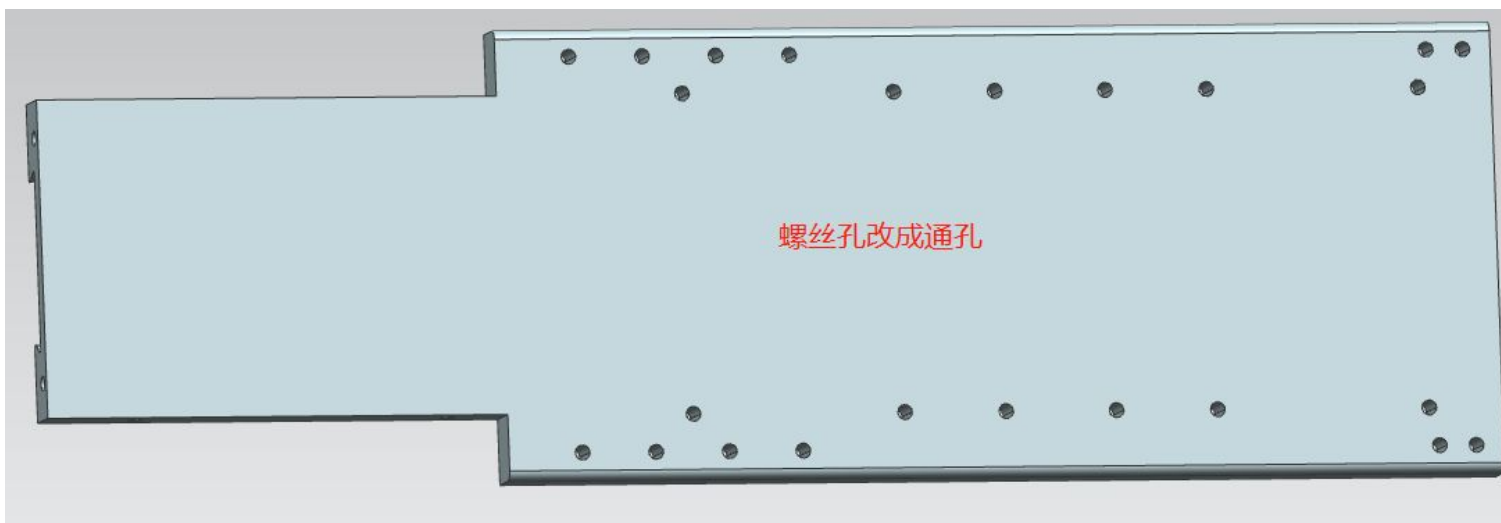
----- 0.6mm not OK , It at least 1.2mm--Hasion.3.1

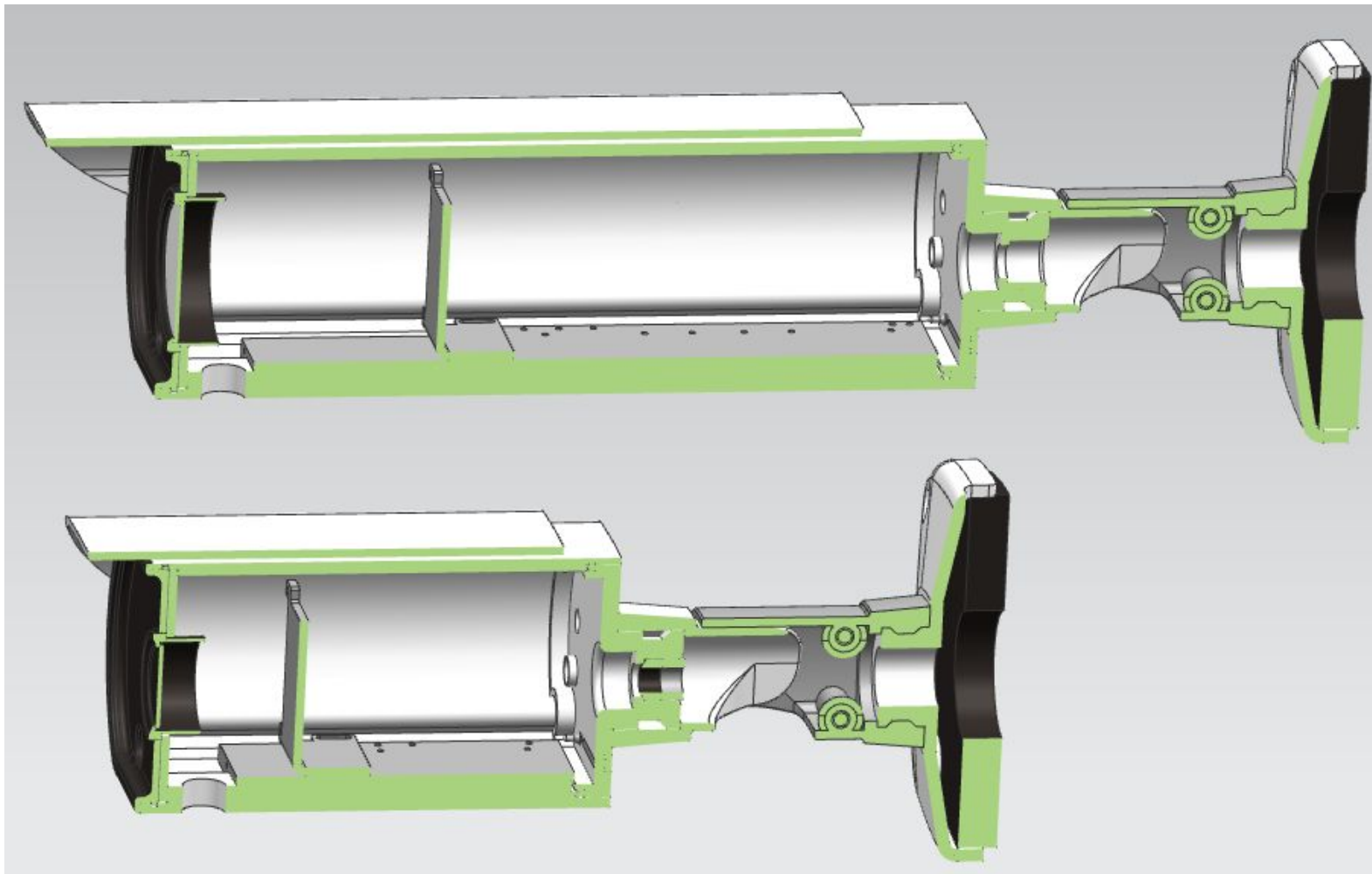


because only 0.6mm thickness ,
too thin , easy to be broken



Change 4 from NIC's new file 20220301:
the hole is through hole type





Problem 5 from NIC's new file 20220301:
fixing way of the bracket board

-----the fixing way is not unreasonable, it doesn't improve the fixing --
Hasion 3.1