

Mysterious Stonehenge



Anastasia Tretyakova, 8G

In the English county of Wilshire, 130 km from London, there is a mysterious place - an accumulation of giant boulders, arranged in a circle in the middle of the Salisbury Plain.



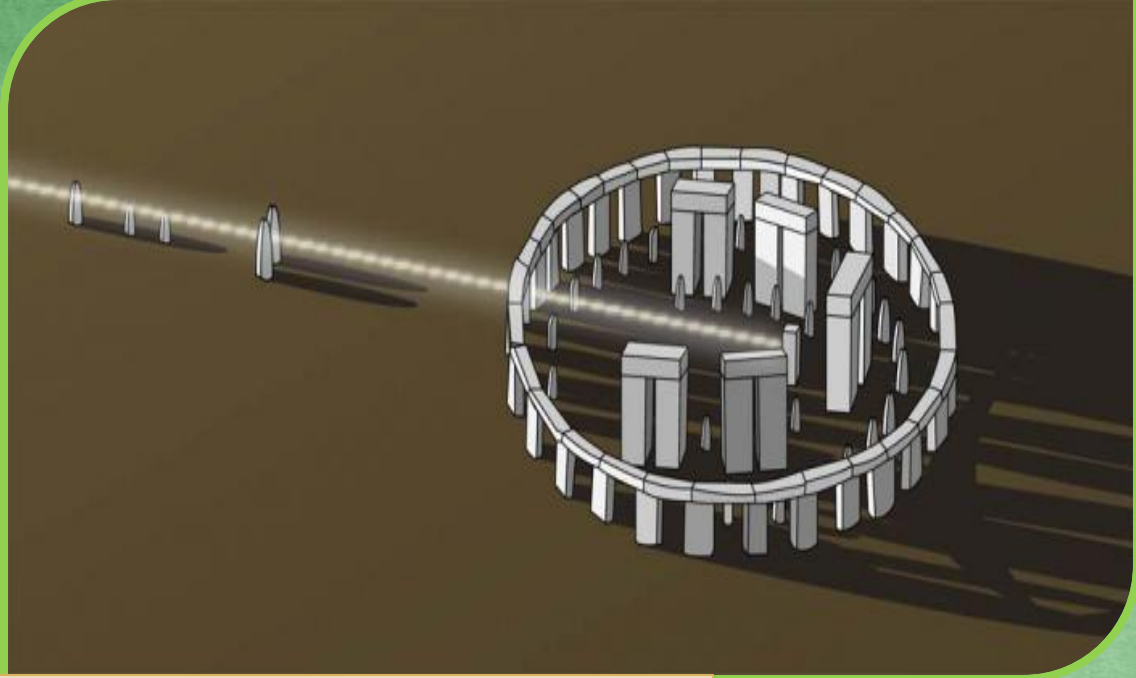


Stonehenge
means
"stone circle"

The complex is a circle of stones around which there are 56 Aubrey burial holes, named after the 17th century explorer Stonehenge. In the very center there is an altar.



This structure is about 5 thousand years old



Stonehenge is not only a lunar calendar, but also a solar one. Stonehenge is a visual model of the solar system

Stonehenge today





**Thank you for your
attention!**