

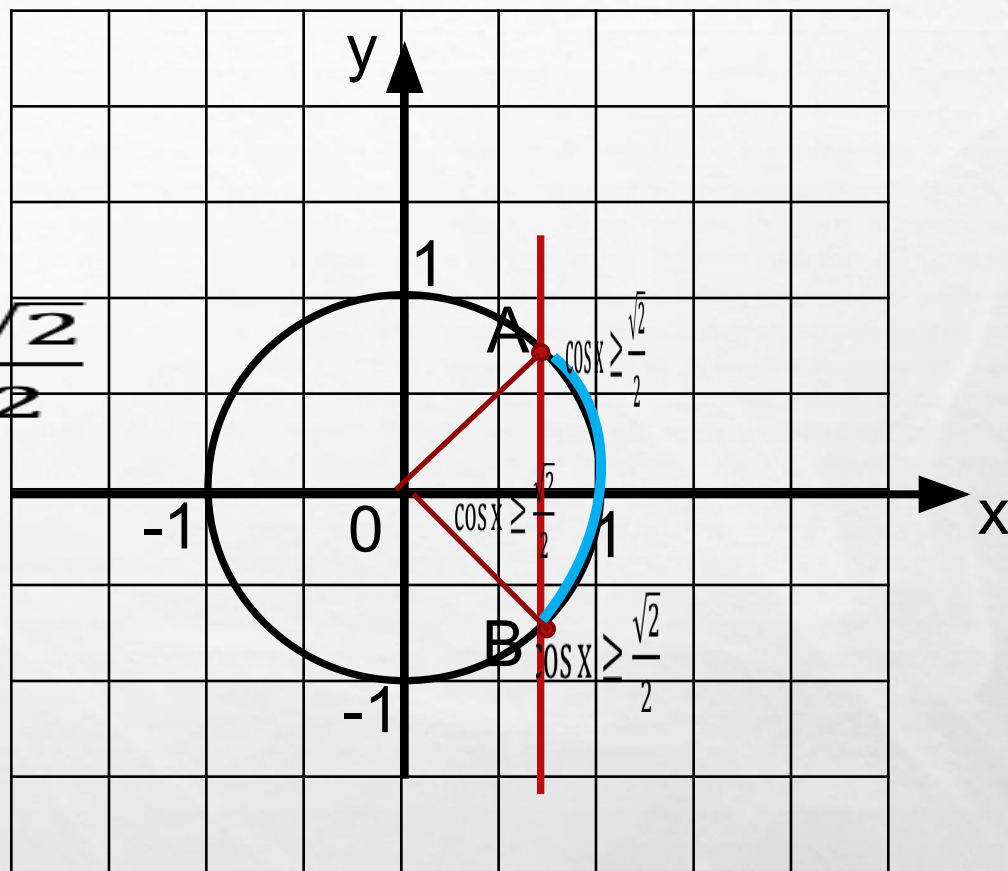
Тема урока:

**Повторение и
систематизация учебного
материала**

№648(1).

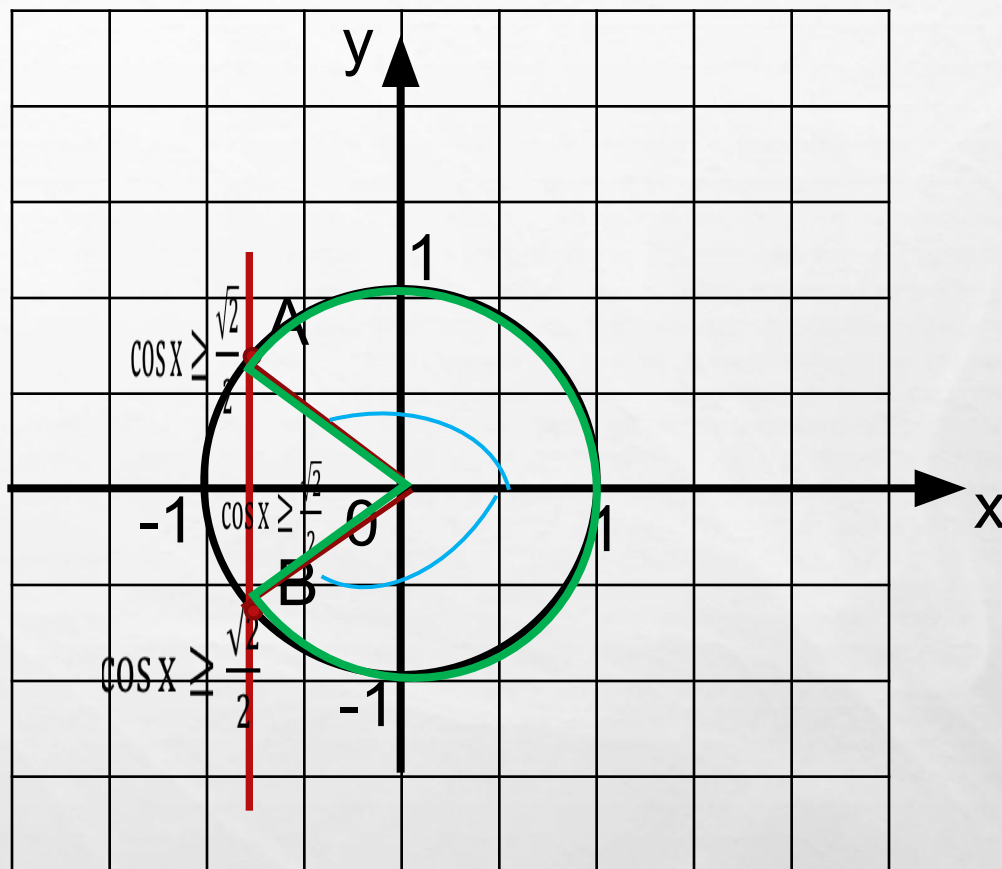
$$\cos x \geq \frac{\sqrt{2}}{2}$$

$$\cos x \geq \frac{\sqrt{2}}{2}$$



№648(3).

$$\cos x \geq \frac{\sqrt{2}}{2}$$



$$\cos x \geq \frac{\sqrt{2}}{2}$$

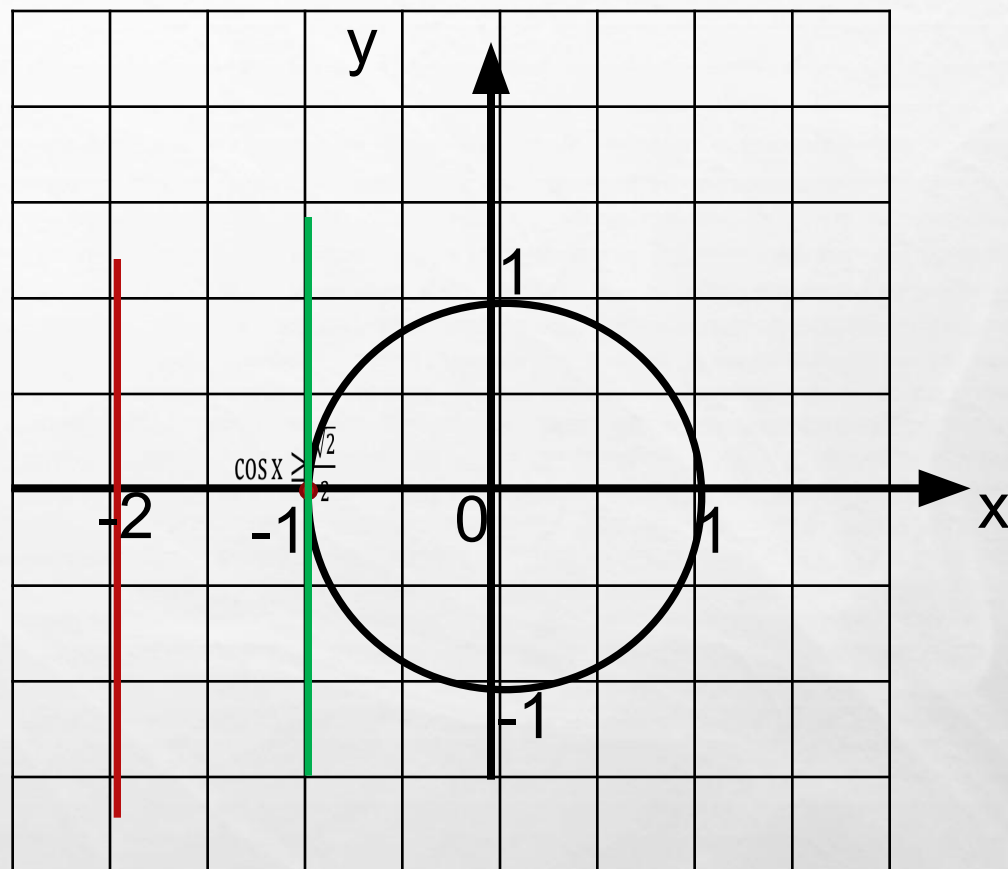
№649(2, 4).

$$\cos x \geq \frac{\sqrt{2}}{2}$$

$$\cos x \geq \frac{\sqrt{2}}{2}$$

$$\cos x \geq \frac{\sqrt{2}}{2}$$

$$\cos x \geq \frac{\sqrt{2}}{2}$$



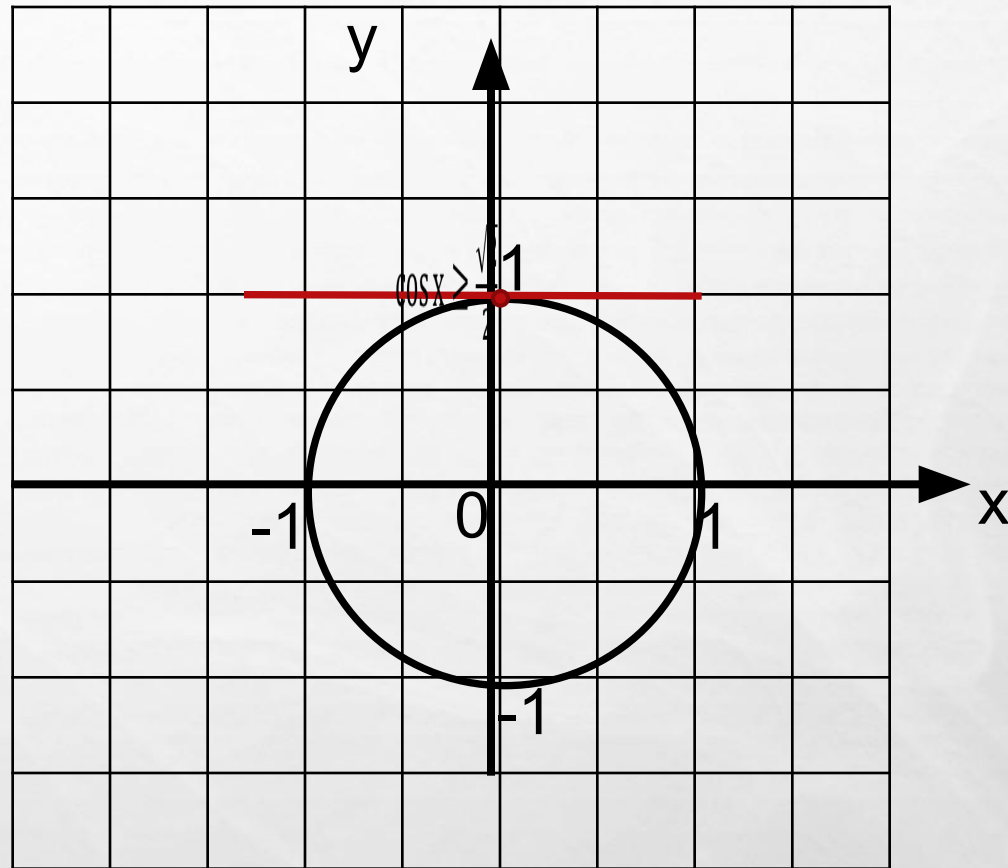
№651(2, 4).

$$\cos x \geq \frac{\sqrt{2}}{2}$$

$$\cos x \geq \frac{\sqrt{2}}{2}$$

$$\cos x \geq \frac{\sqrt{2}}{2}$$

$$\cos x \geq \frac{\sqrt{2}}{2}$$



№1.

Решите уравнение:

$$\cos x \geq \frac{\sqrt{2}}{2}$$

$$\cos x \geq \frac{\sqrt{2}}{2}$$

$$\cos x \geq \frac{\sqrt{2}}{2}$$

$$\cos x \geq \frac{\sqrt{2}}{2}$$

№2.

$$\cos x \geq \frac{\sqrt{2}}{2}$$

$$\cos x \geq \frac{\sqrt{2}}{2}$$

№3.

Решите уравнение:

$$\cos x \geq \frac{\sqrt{2}}{2}$$

$$\cos x \geq \frac{\sqrt{2}}{2}$$

$$\cos x \geq \frac{\sqrt{2}}{2}$$

$$\cos x \geq \frac{\sqrt{2}}{2}$$

$$\cos x \geq \frac{\sqrt{2}}{2}$$

$$\cos x \geq \frac{\sqrt{2}}{2}$$

$$\cos x \geq \frac{\sqrt{2}}{2}$$

Домашнее задание:

Повторить §1 - 39, тест на стр.198