


Experimental studies of modular generator

A generator is a device that produces some kind of product, generates electricity, or converts one type of energy into another.



An electric generator is a device in which non-electric forms of energy (mechanical, chemical, thermal) are converted into electrical energy.





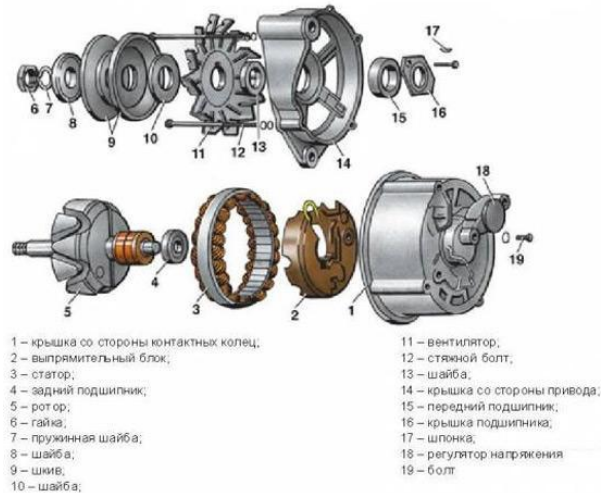
The generator is the main source of electrical energy and is used to power consumers while the engine is running and the battery is charging. On the studied cars install alternators.

generator Made in Hungary: The company GaElectrogenerators at the beginning of the XX century. 1909 year.



What the main generator consists of:

- case
- stator
- rotor
- fan



What is called an alternator, an alternator is an electromechanical device that converts mechanical energy into alternating current electrical energy





Thanks for attention

- **Zharmagambetov Aldiyar 18-15**