

HAND AND POWER TOOLS



at pppst.com

hamm

er



screw dri

ver



plie

rs



sa

w



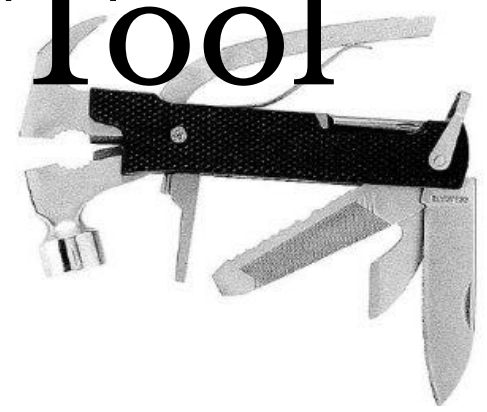
Goggles



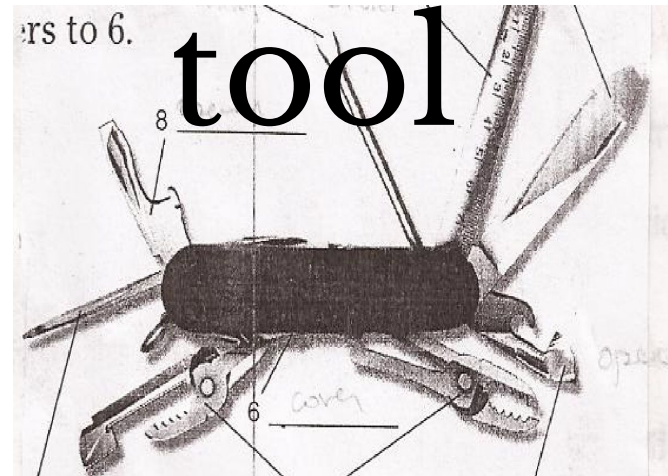
Key Tool



Multi Tool



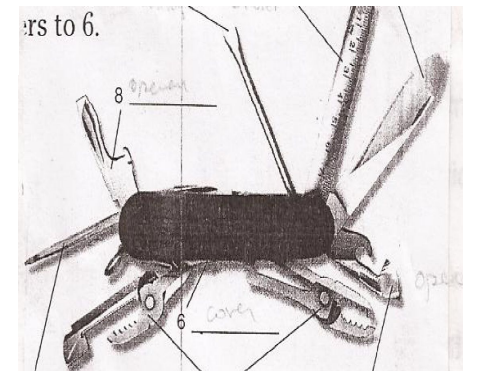
Survival



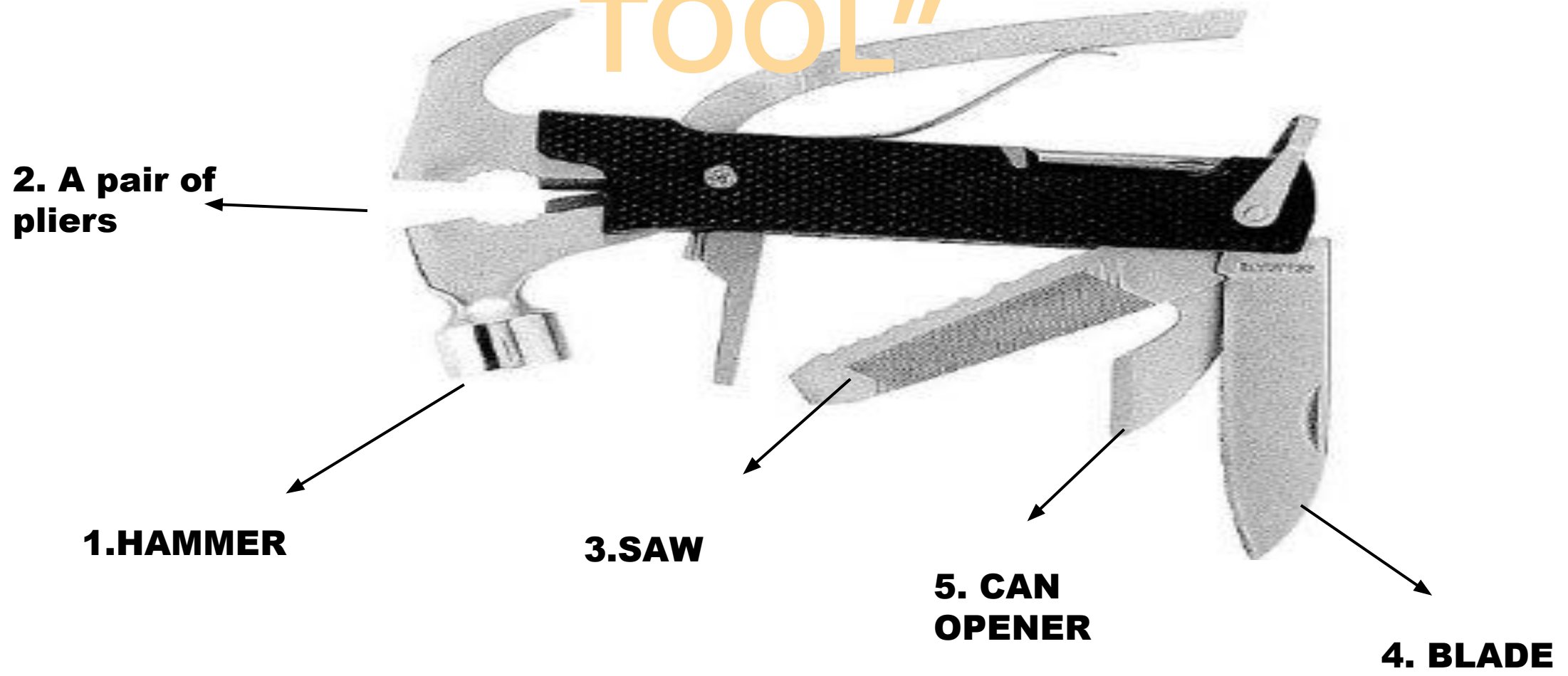


CROSSWORD

FIND THESE TOOLS IN THE CROSSWORDS



"A MULTI TOOL"



2. A pair of pliers

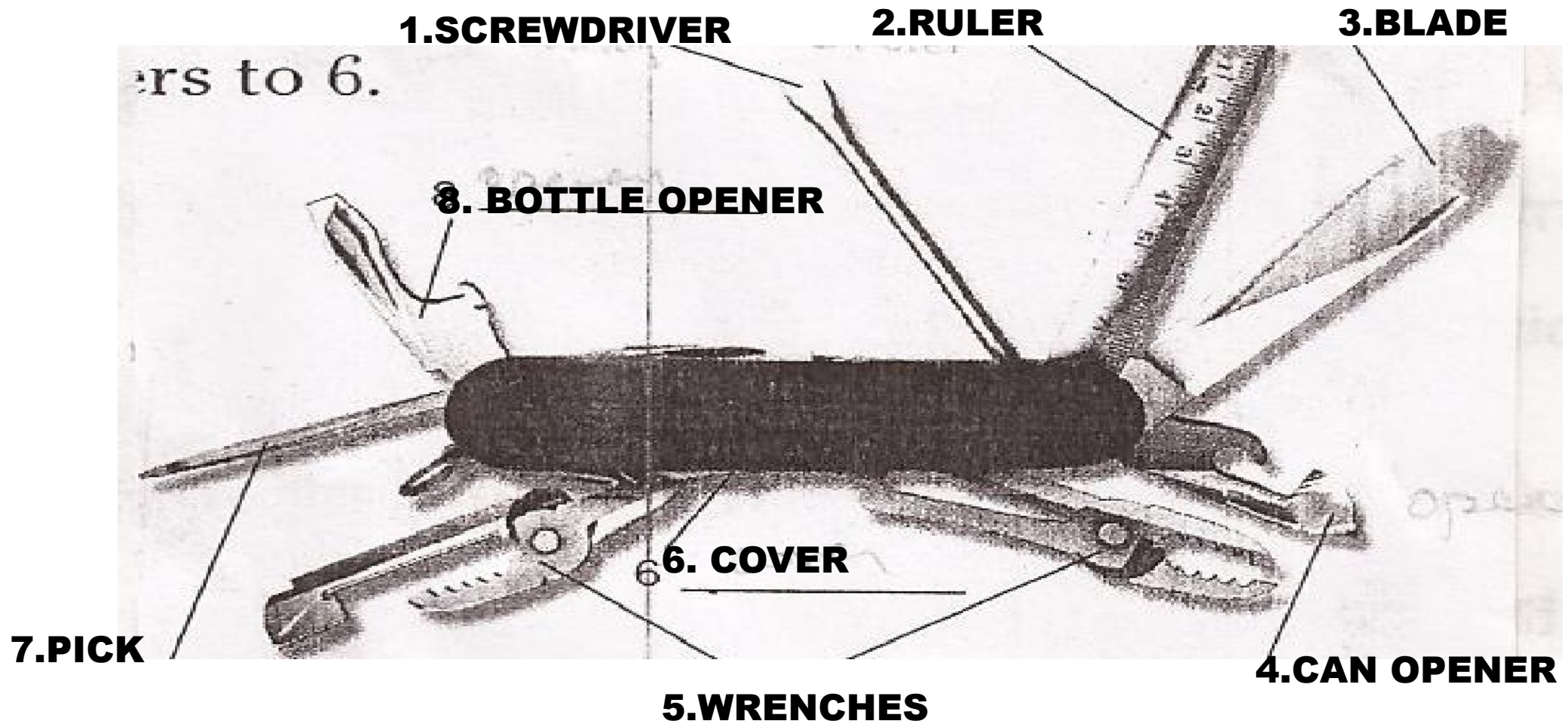
1. HAMMER

3. SAW

**5. CAN
OPENER**

4. BLADE

"A SURVIVAL TOOL"



“KEY TOOL”

