

# TOOLS



# TOOLS BOX





# HANDSAW



# HACKSAW





# COPING SAW



**Coping  
Saw**

# DRILL



**Brad Point  
Drill Bit**

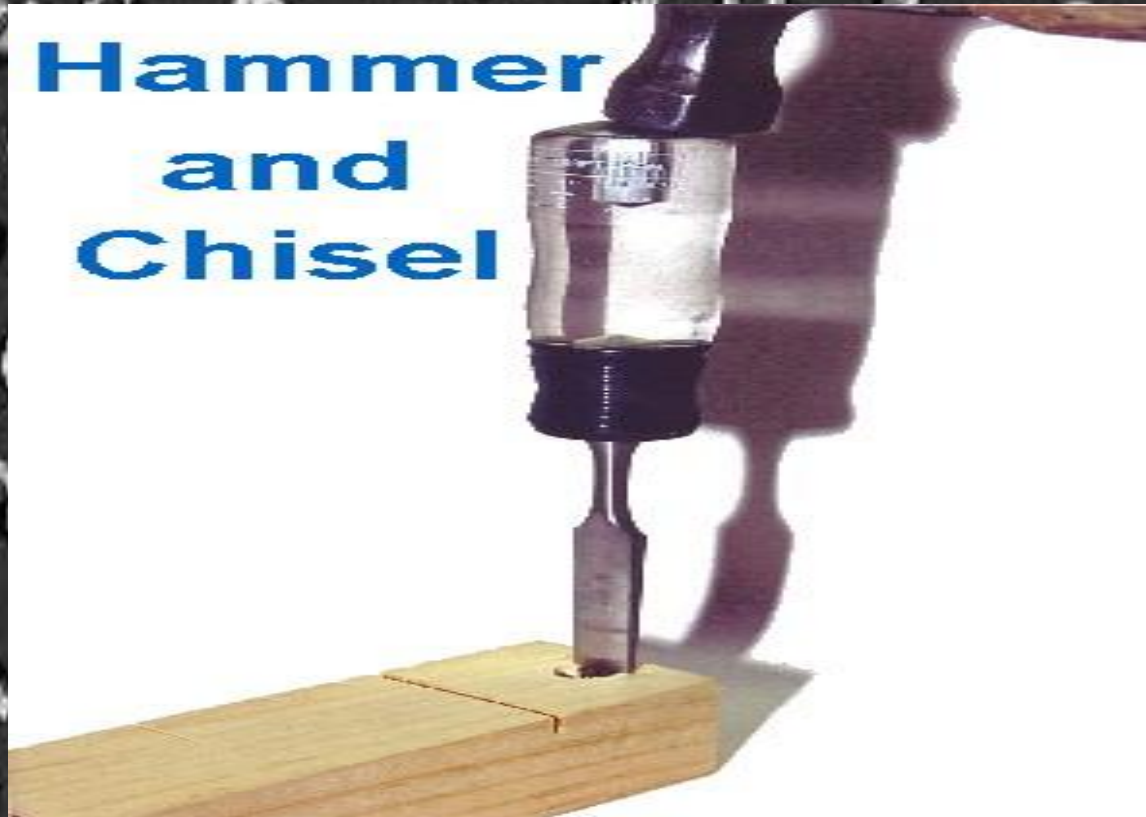


# CHISELS



**Wood  
Chisels**

# HAMMER AND CHISEL





# HAMMER



# BALL PEEN HAMMER



©2009 Dan C. Rinnert



# RUBBER Mallet



# CLAMPS





# FILES

## Files

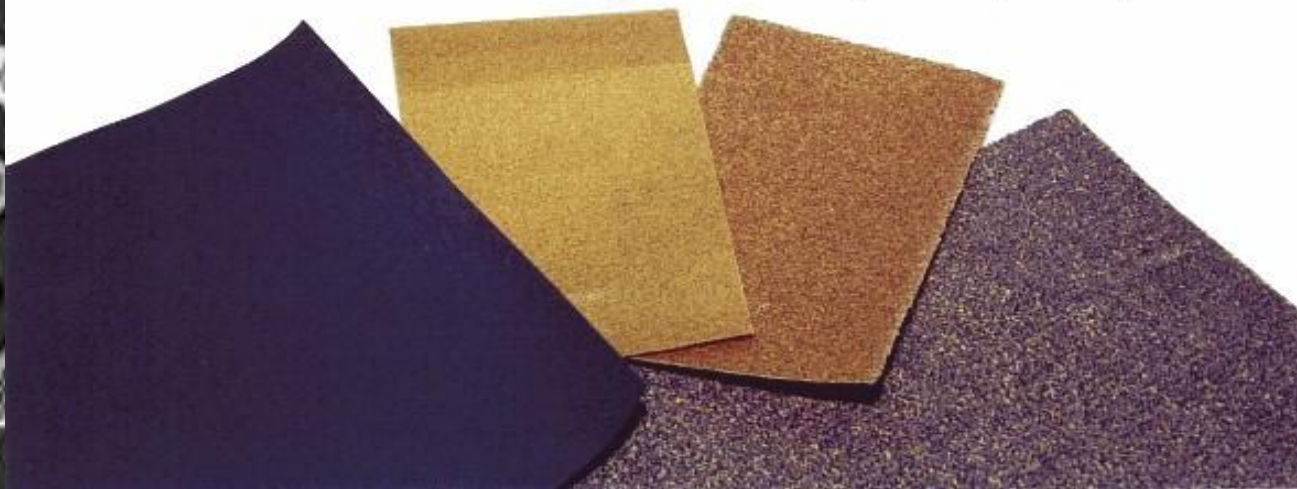
Flat - Rasp - Triangular



# SAND PAPER

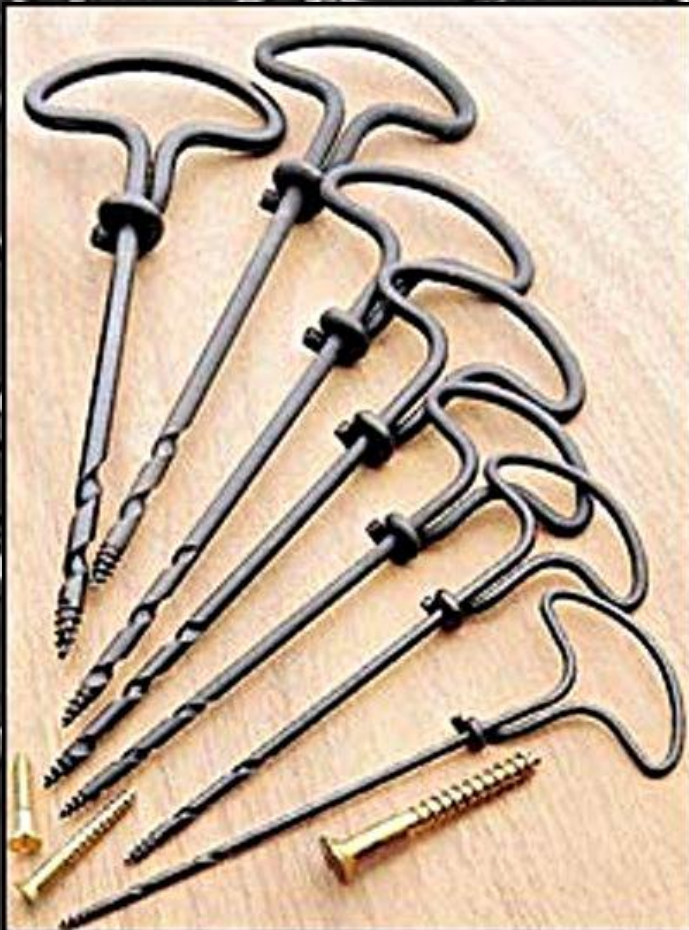
## Grades of Sandpaper

From Left to Right - 400, 220, 150, 60





# GIMLET



Division, Houghton Mifflin Company

# ELECTRIC DRILL

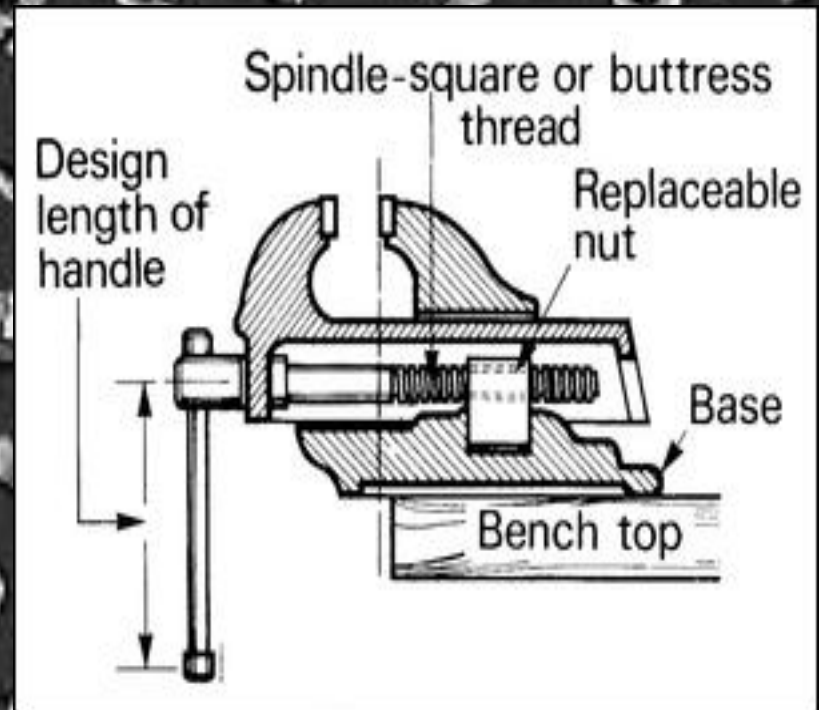




# ALLEN KEY



# BENCH VICE





# BOLTS AND NUTS



ADJUSTABLE SPANNER  
SHIFTING SPANNER  
MONKEY WRENCH





# C-CLAMP



# GOGGLES





# HOSE



# HOT GLUE GUN





LEVEL



# MEASURE TAPE





# PLIERS

© 2002, [www.hooverfence.com](http://www.hooverfence.com)



FT-P108 Fence Pliers

# NEEDLE NOSE PLIERS





# ROUND NOSE PLIERS



# WIRE STRIPPING PLIERS

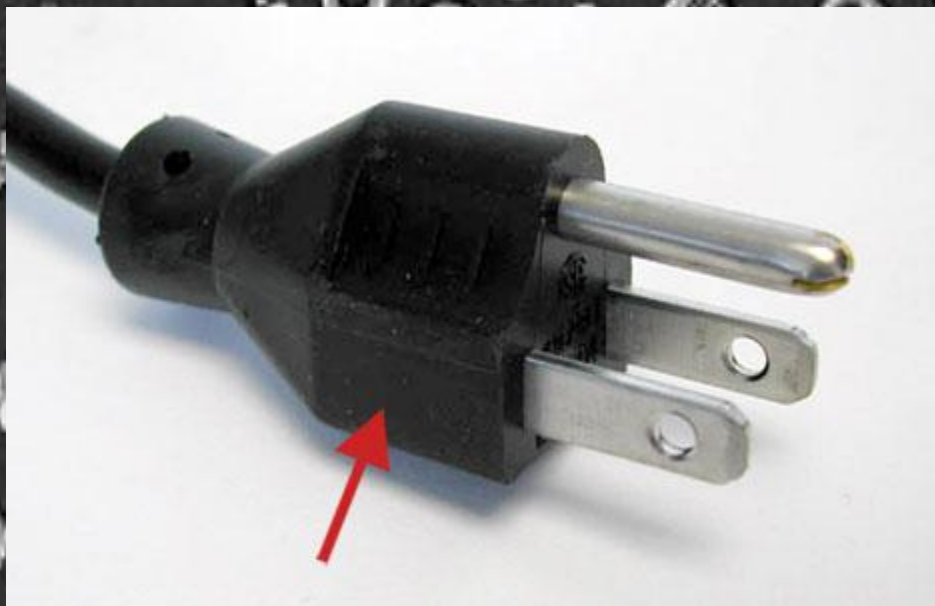




# WRENCH / SPANNER



# PLUG





# WORK GLOVES



# FLAT HEAD SCREWDRIVER





# CROSS POINT SCREWDRIVER PHILLIPS SCREWDRIVER TORX SCREWDRIVER



# TIN LEAD SOLDER

