

Микроскоп



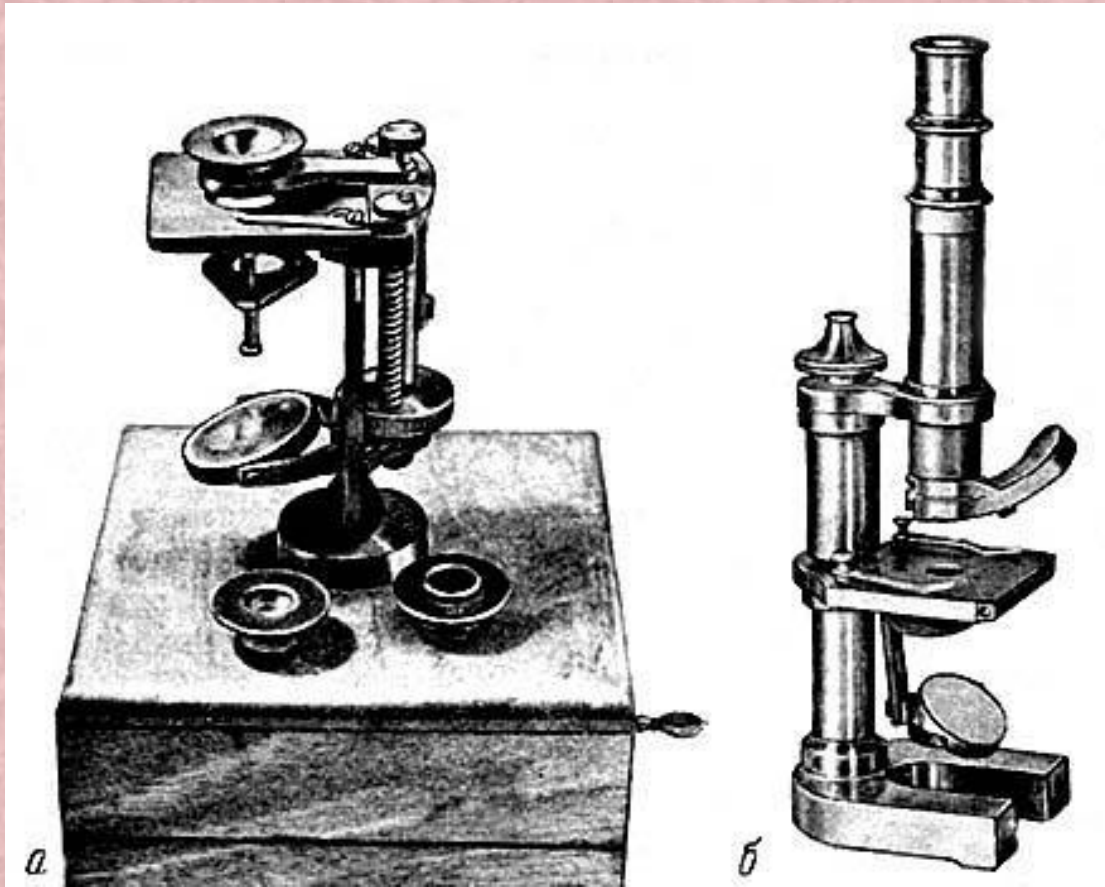
Цель:

рассказать об устройстве и видах микроскопов

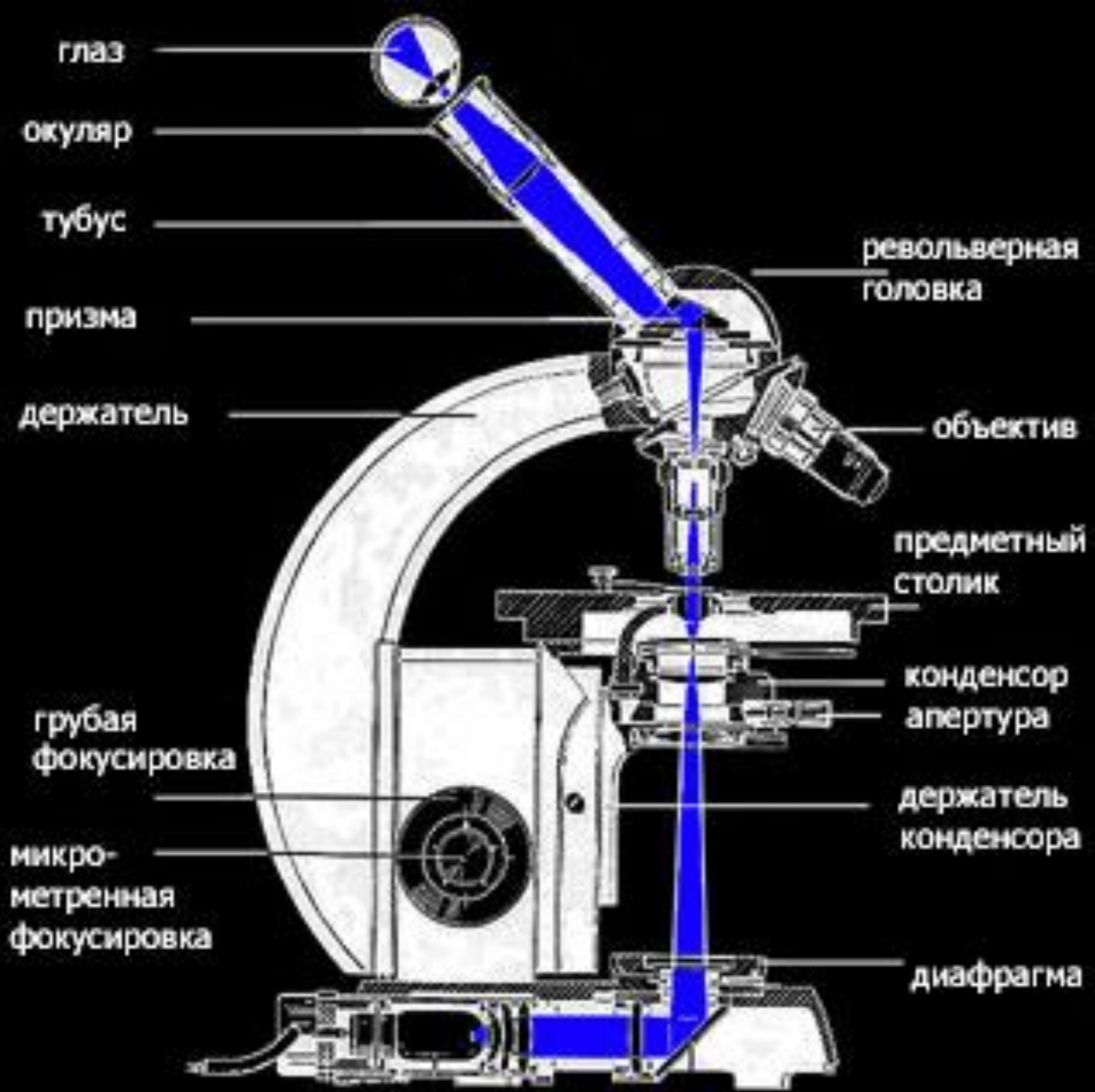
Авторы:

*Ходова Виктория - руководитель
Абрамова Татьяна - информация
Бибилова Альбина - лаборант*

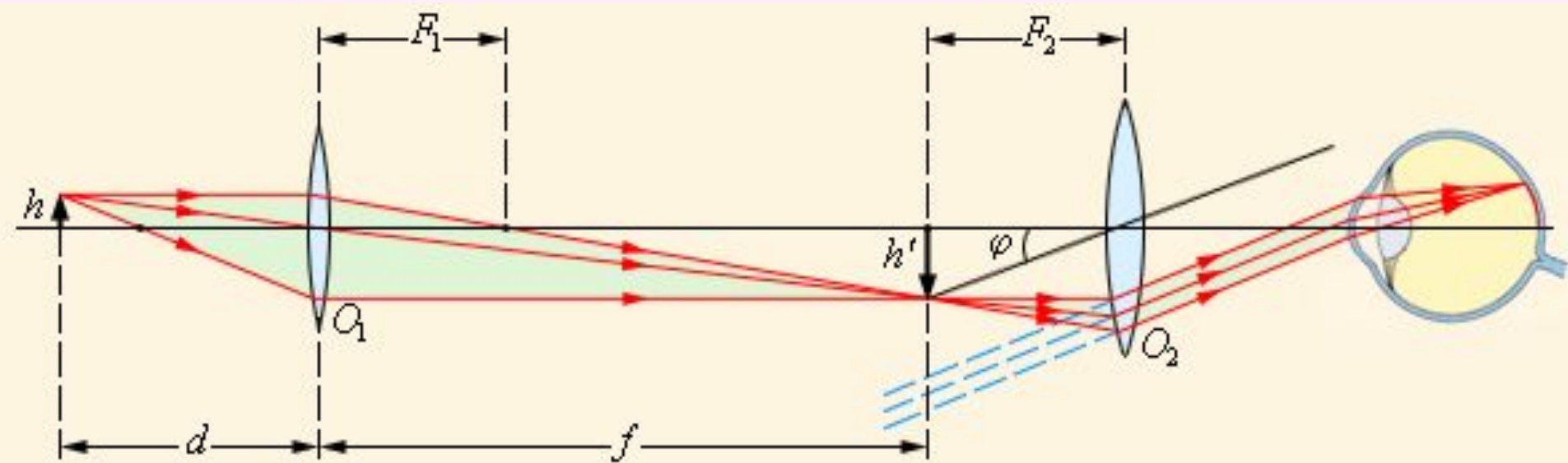
Первые микроскопы



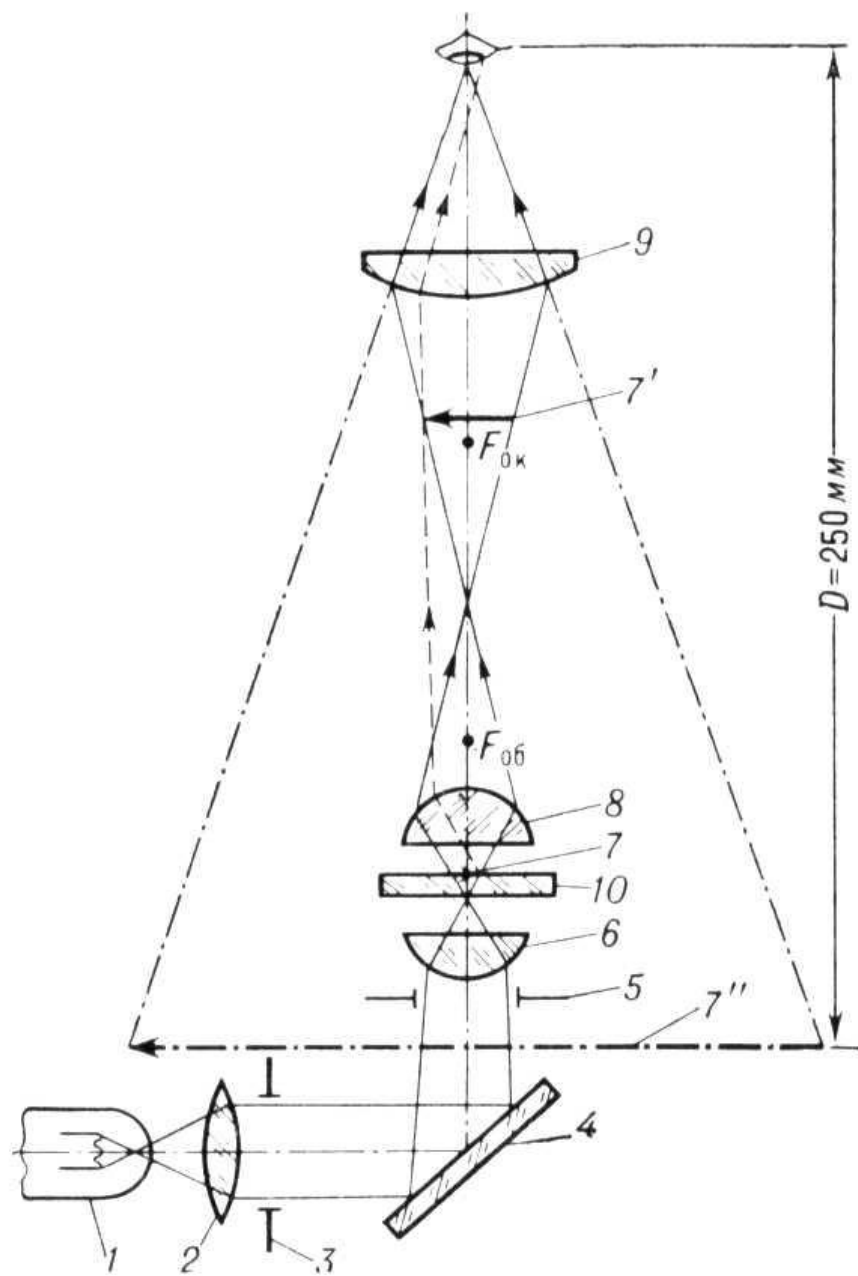
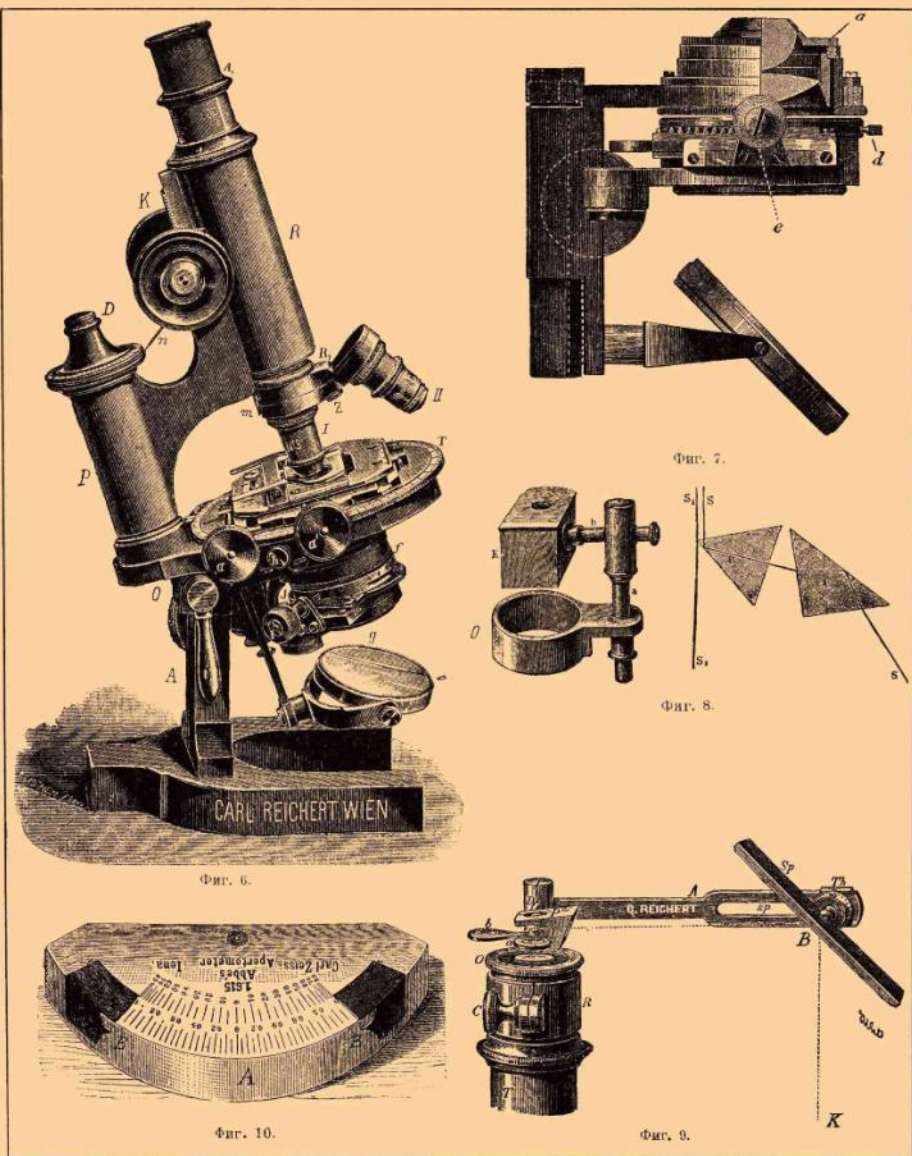
Строение микроскопа



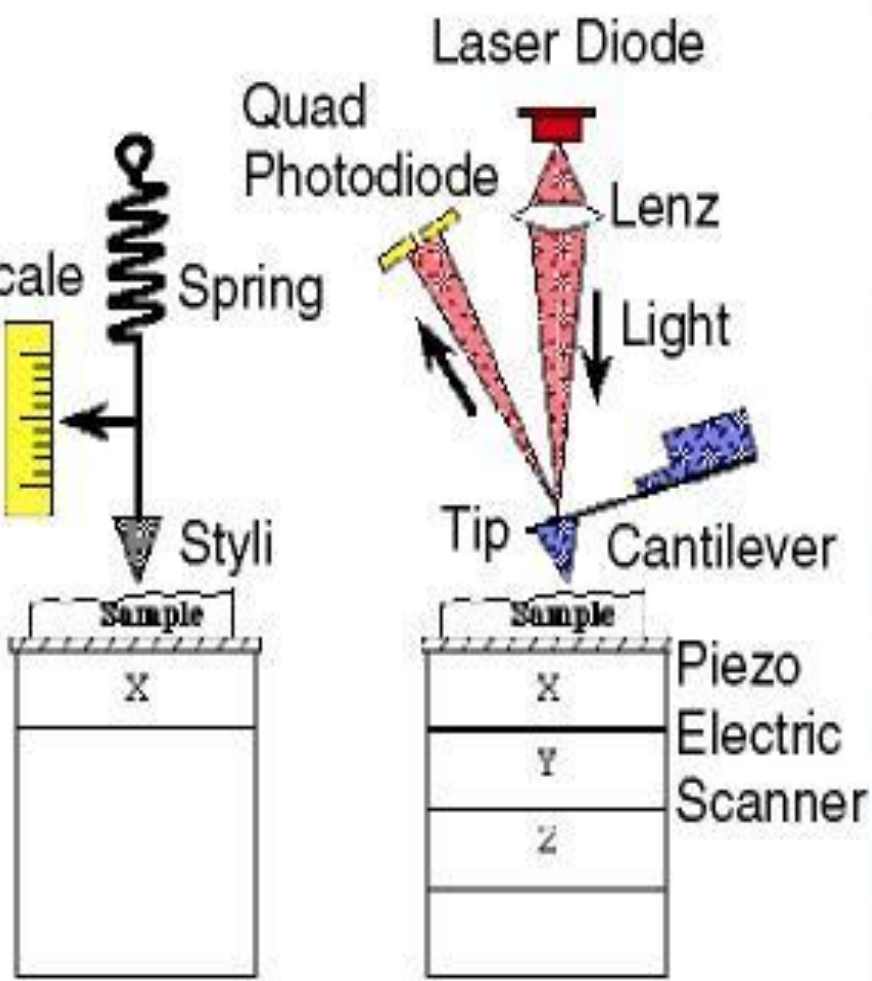
Микроскоп



МИКРОСКОПЪ.



Фиг. 6. Микроскопъ съ объективнымъ револьверомъ и конденсаторомъ Аббе. Фиг. 7. Конденсаторъ Аббе. Фиг. 8 и 9. Инструменты для рисования и опредѣленія увеличенія. Фиг. 10. Апертурный мѣръ Аббе.



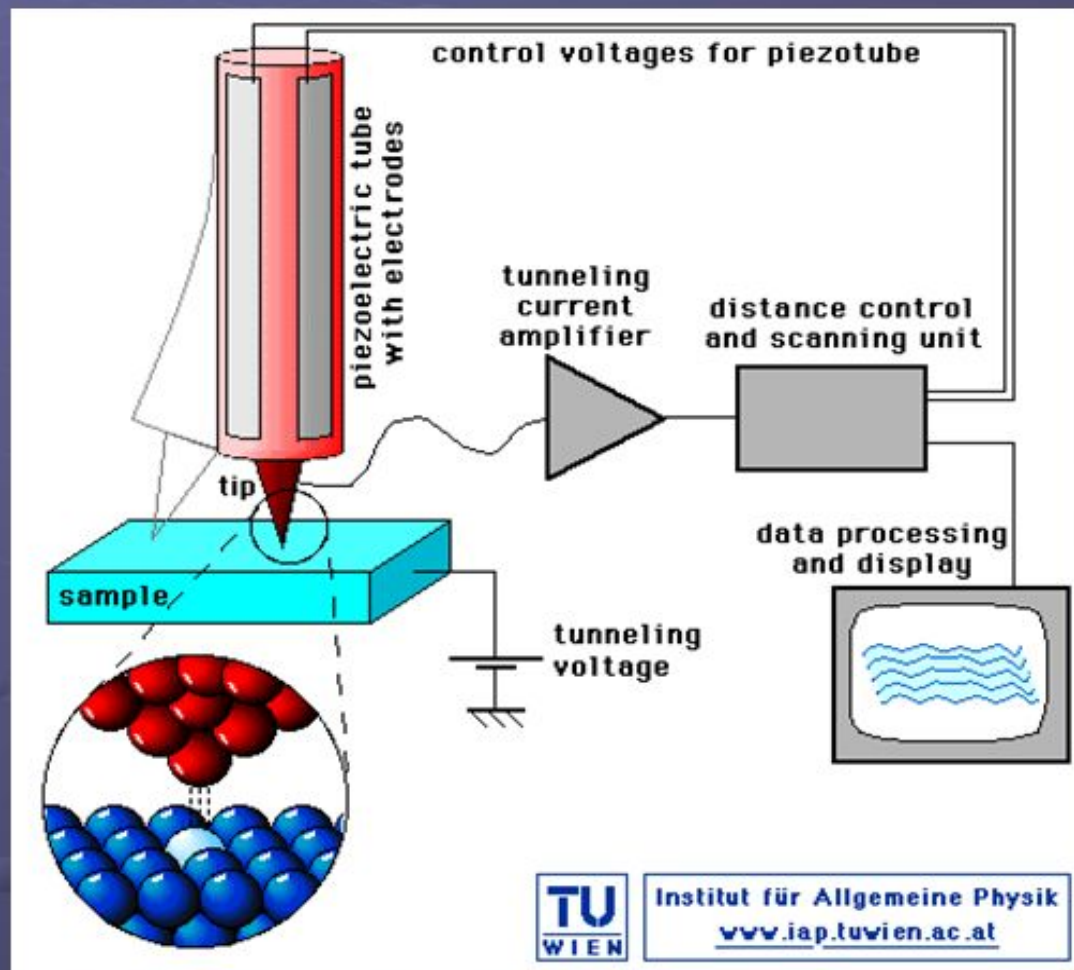
**Profilemeter
Concept**

**Atomic Force
Microscope**

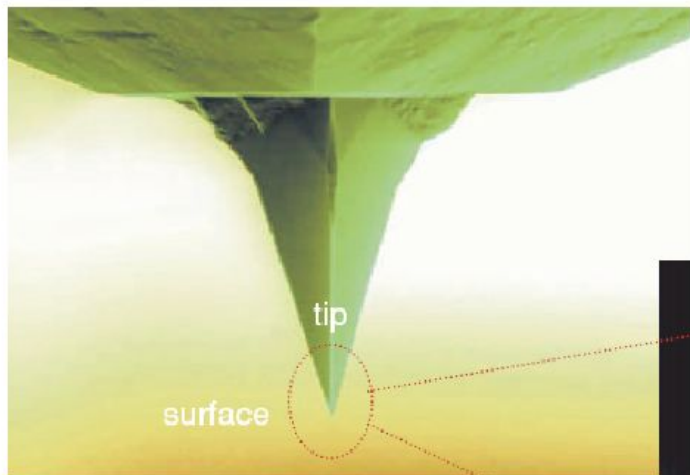


Scanning tunneling microscope STM

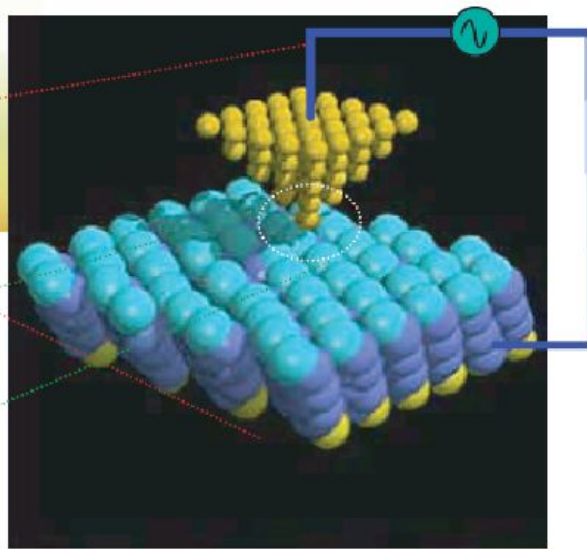
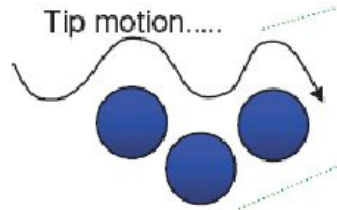
http://www.iap.tuwien.ac.at/www/surface/STM_Gallery/stm_schematic.htm



Exploiting tunneling: scanning tunneling microscope



STM



Tip scanned across a surface

Figure 12.2. The atomic force microscope (AFM) and the scanning tunneling microscope (STM) have powerful capabilities for treating and analyzing surfaces. The figure shows a schematic view of a STM, with the inset showing a STM in action. Below is the resulting atomic arrangement.

The image features a blue background with several 3D molecular models. In the upper left, there are three clusters of atoms, each with a central purple core and a surrounding shell of grey and white spheres. In the lower left, a flat layer of red spheres is shown on a dark grey substrate. On the right side, a large, light blue, cone-shaped structure is composed of a grid of hexagonal cells, tapering towards the bottom right.

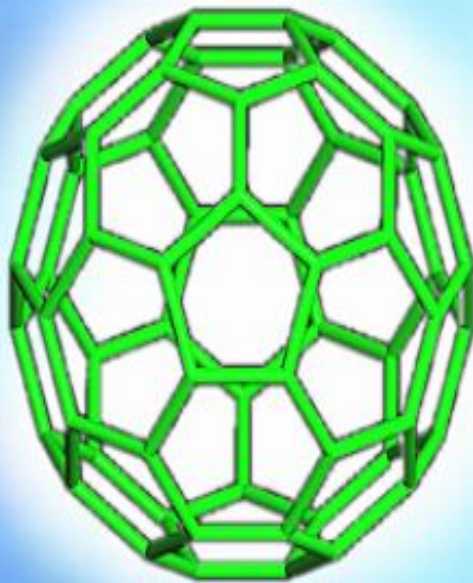
National Nanotechnology Coordination Office
4201 Wilson Boulevard
Stafford II, Rm. 405
Arlington, VA 22230

703-292-8626 phone
703-292-9312 fax

www.nano.gov
info@nnco.nano.gov

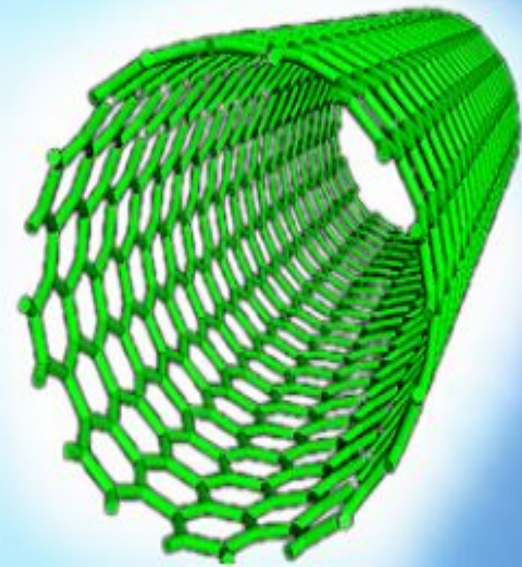
- The NanoKids Project is working to bring understanding to our communities.

Continuous change of properties at the nanoscale



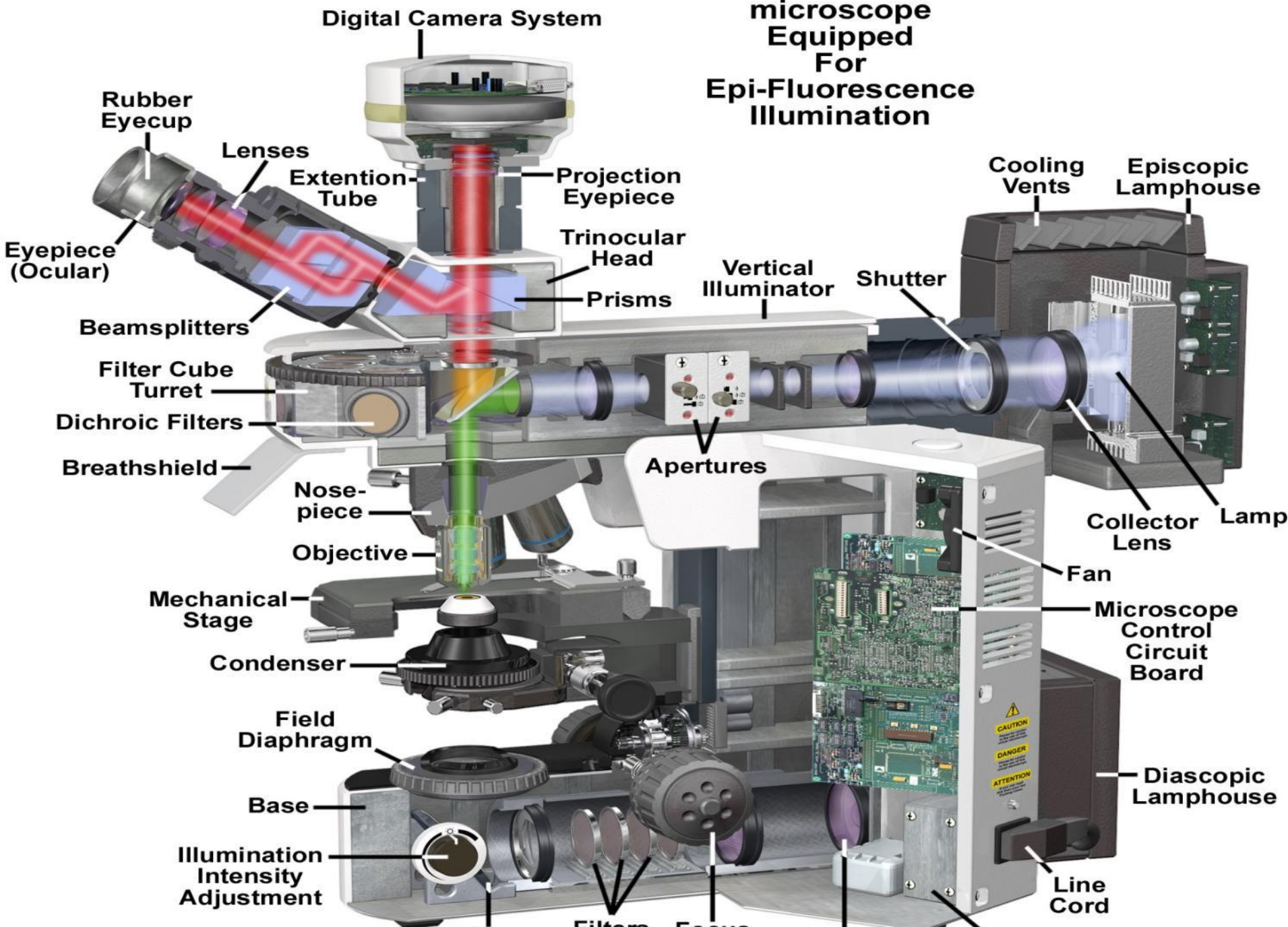
C₆₀ Buckyball

*1 atomic layer—
100 % surface*



Carbon Nanotube

and
Reflected Light
microscope
Equipped
For
Epi-Fluorescence
Illumination



Используемая литература:

- **«Физика 11 класс», В.А. Касьянов;**
- **«Физика 11 класс», А.А. Пинский;**
- **Большая Советская Энциклопедия;**
- **«Открытая физика», С.М. Козел;**
- **Ресурсы Интернет;**
- **«Энциклопедия «Физика»,
издательство Аванта+.**