

# ***Dutchclamp***<sup>®</sup>

**TRIPLE types**



**ASSEMBLY INSTRUCTION**

Click to start demo

P.O. Box 9078 3301 AB  
Egstraat 1 3319 LA  
Phone : +31 (0) 78 6 211 212  
Fax : +31 (0) 78 6 211 226  
E-mail : [export@dutchclamp.com](mailto:export@dutchclamp.com)  
Site : [www.dutchclamp.com](http://www.dutchclamp.com)

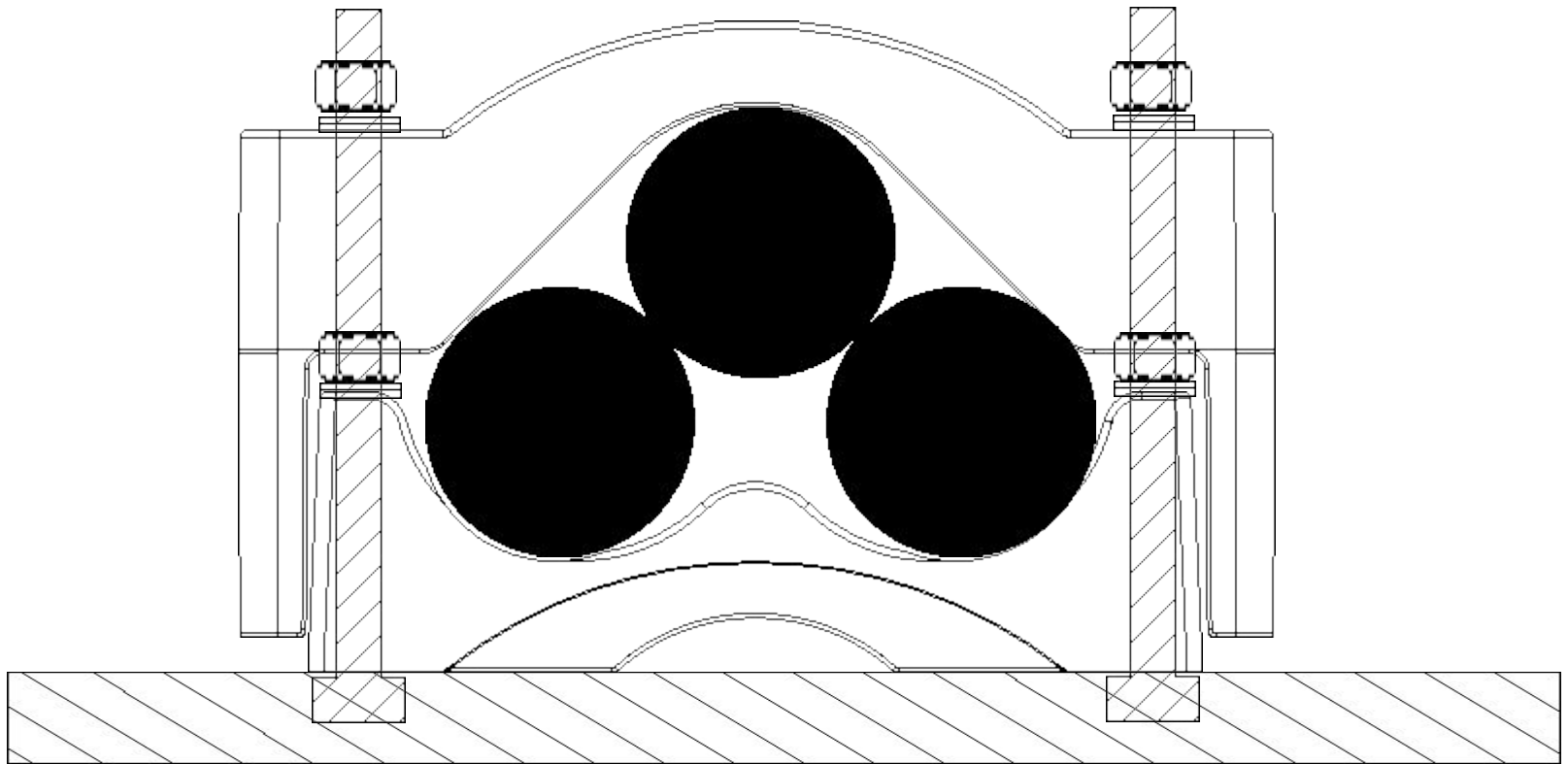
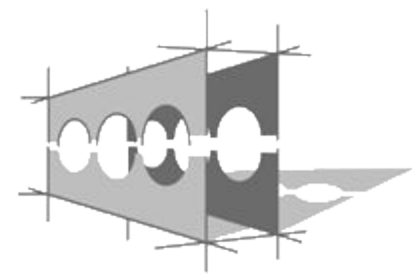
Dordrecht The Netherlands  
Dordrecht The Netherlands



**BRUSHHELL**

***Dutchclamp®***

**TRIPLE types**



# ***Dutchclamp***<sup>®</sup>

TRIPLE-types



# ***Dutchclamp***<sup>®</sup>

**TRIPLE-types**

[Click for pricing and ordering details](#)

[Email : export@dutchclamp.com](mailto:export@dutchclamp.com)

P.O. Box 9078 3301 AB  
Egstraat 1 3319 LA

Phone : +31 (0) 78 6 211 212  
Fax : +31 (0) 78 6 211 226  
E-mail : [export@dutchclamp.com](mailto:export@dutchclamp.com)  
Site : [www.dutchclamp.com](http://www.dutchclamp.com)

Dordrecht The Netherlands  
Dordrecht The Netherlands

