

$$H_b = H_{cp} = 3,6; 4,8; 6,0 \text{ M}$$

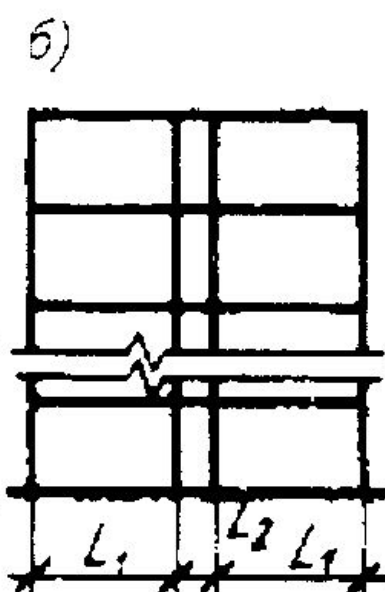
$$H_n = 3,6 \dots 7,2 \text{ M}$$

$$L = 6; 9 \text{ M}$$

$$W = 6 \text{ M}$$

$$H_b = H_{cp} = 4,8; 6,0 \text{ M}$$

$$H_n = 4,8 \dots 7,2 \text{ M}$$

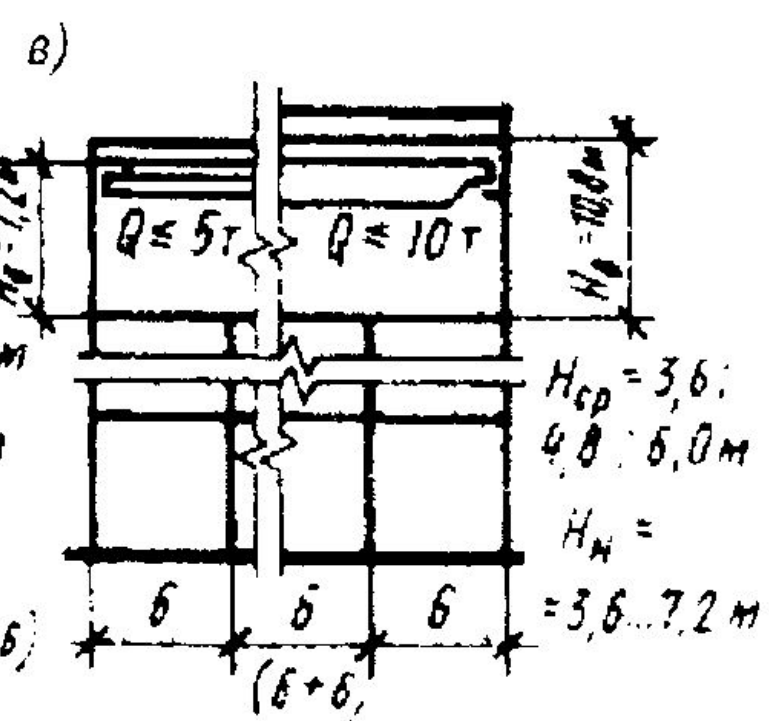
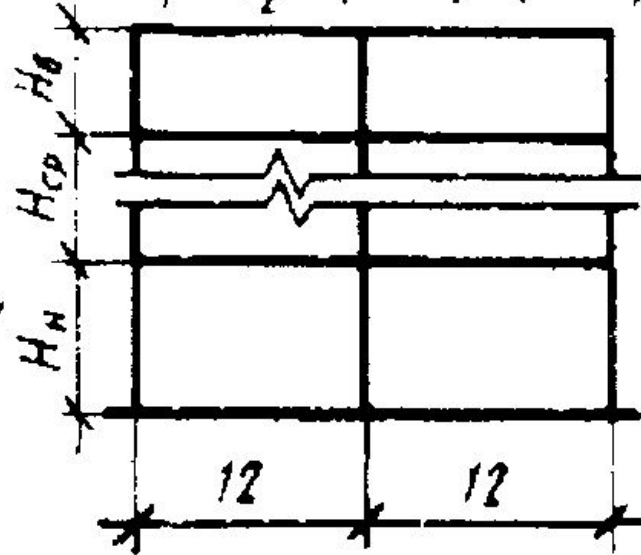


$$H_b = H_{cp} = 3,3; 3,6; 4,8 \text{ M}$$

$$H_n = 3,3 \dots 6,0 \text{ M}$$

$$L_1 + L_2 + L_3 = (6 + 3 + 6); (9 + 3 + 6)$$

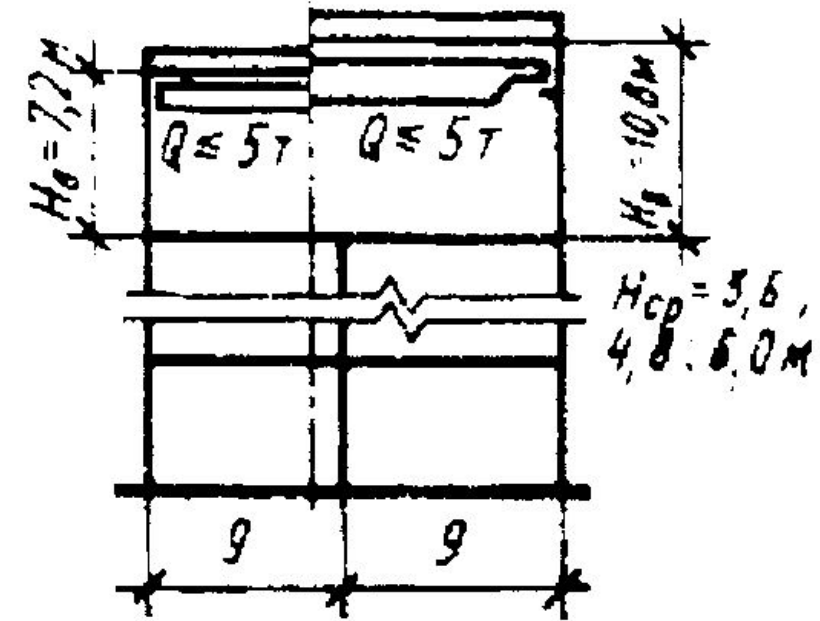
$$L_1 + L_2 = (6 + 6); (9 + 9); L_3 = 0$$



$$H_b = 7,2 \text{ M}$$

$$H_{cp} = 3,6; 4,8; 6,0 \text{ M}$$

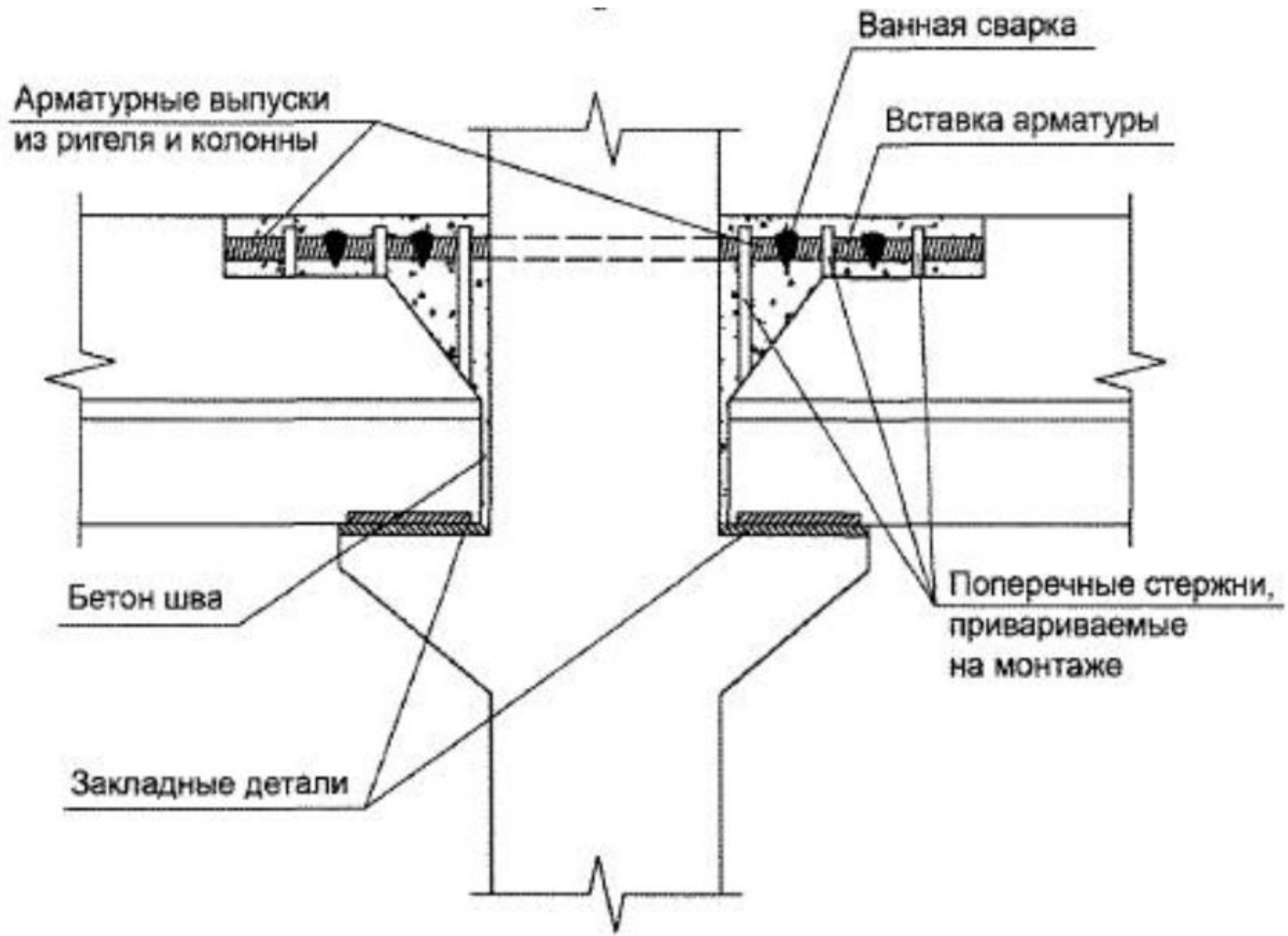
$$H_n = 3,6 \dots 7,2 \text{ M}$$

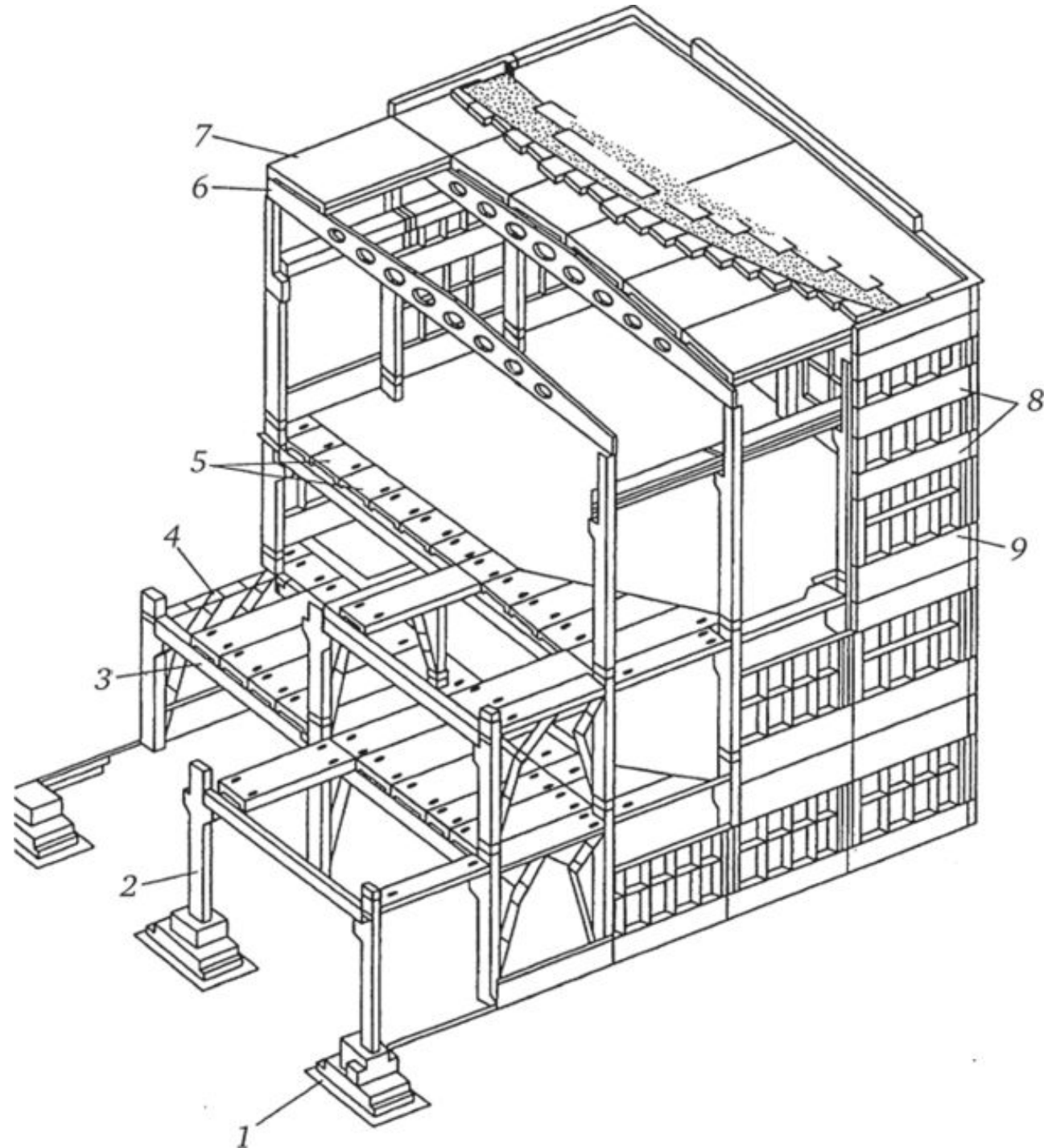


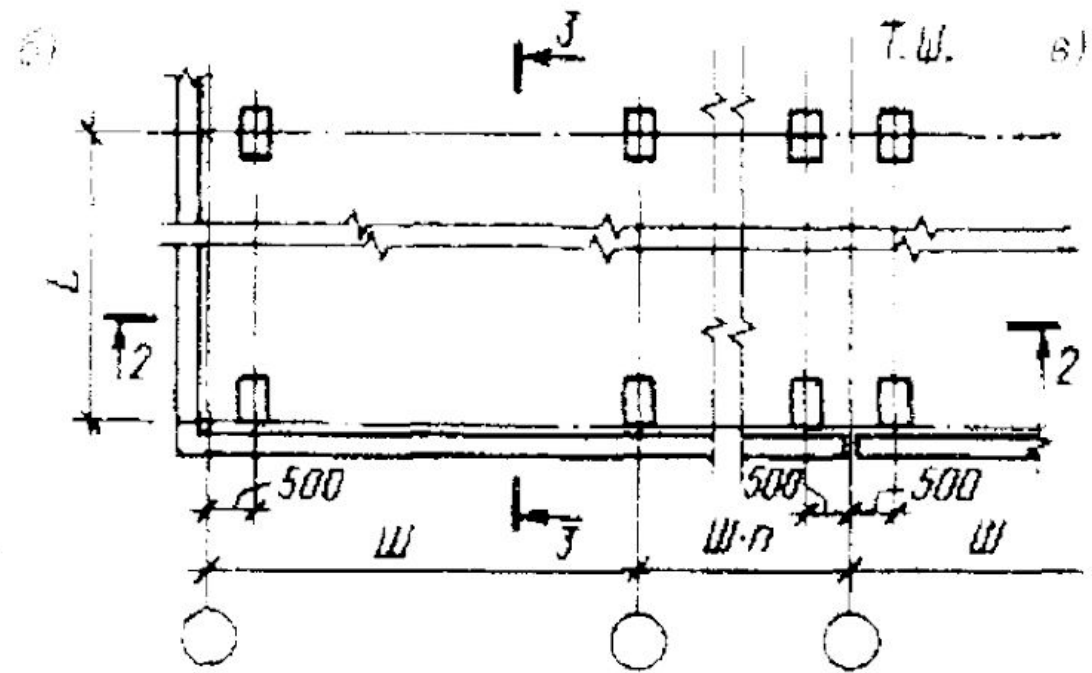
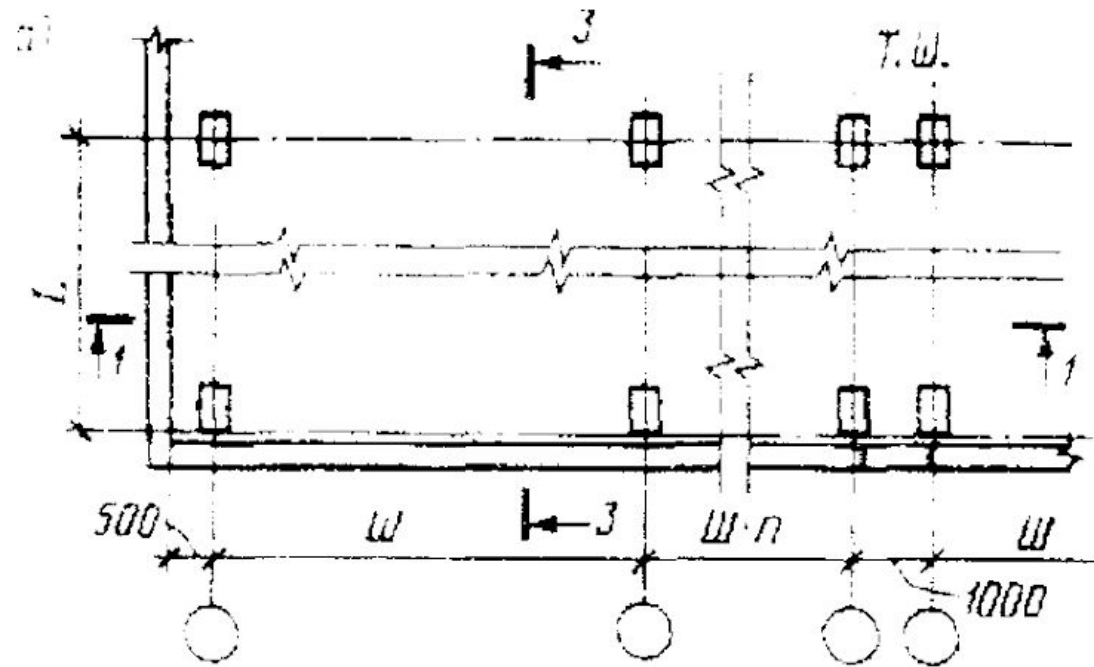
$$H_b = 7,2 \text{ M}$$

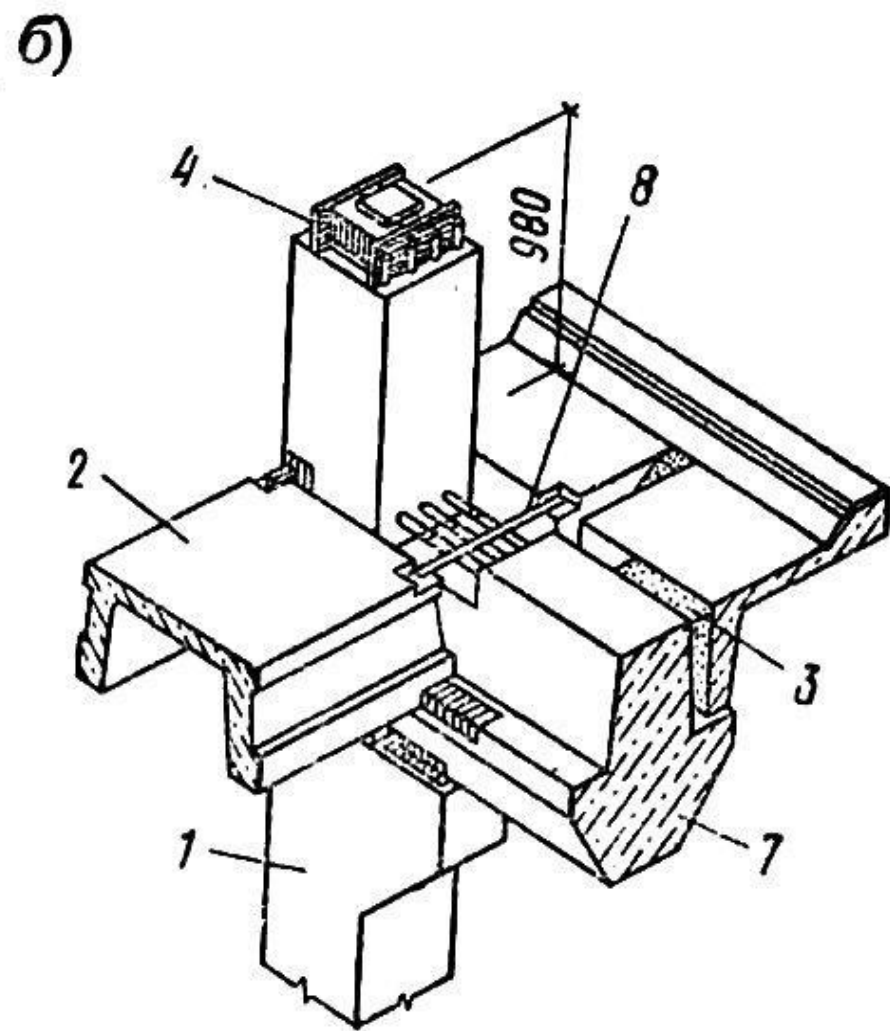
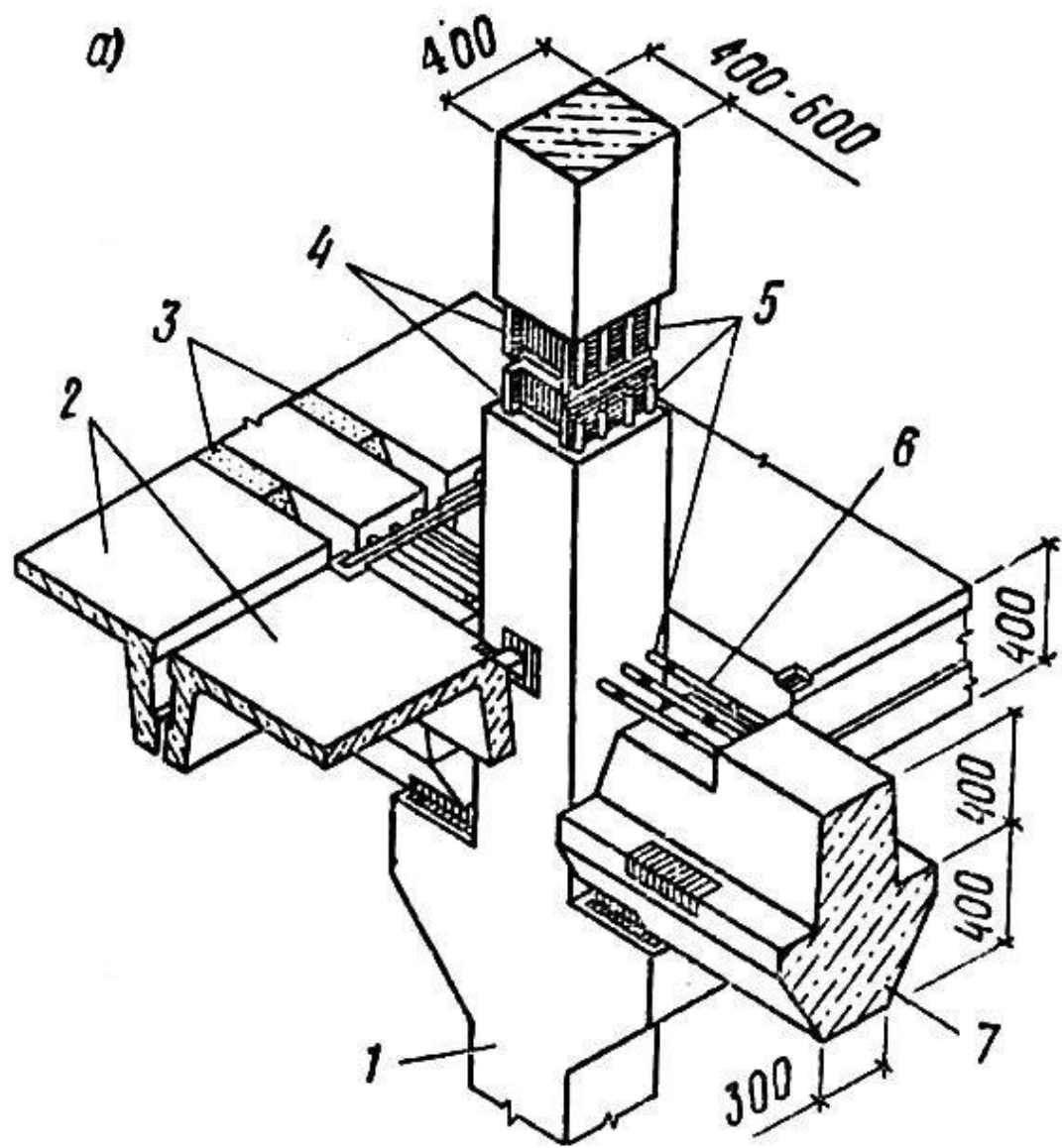
$$H_n = 10,0 \text{ M}$$

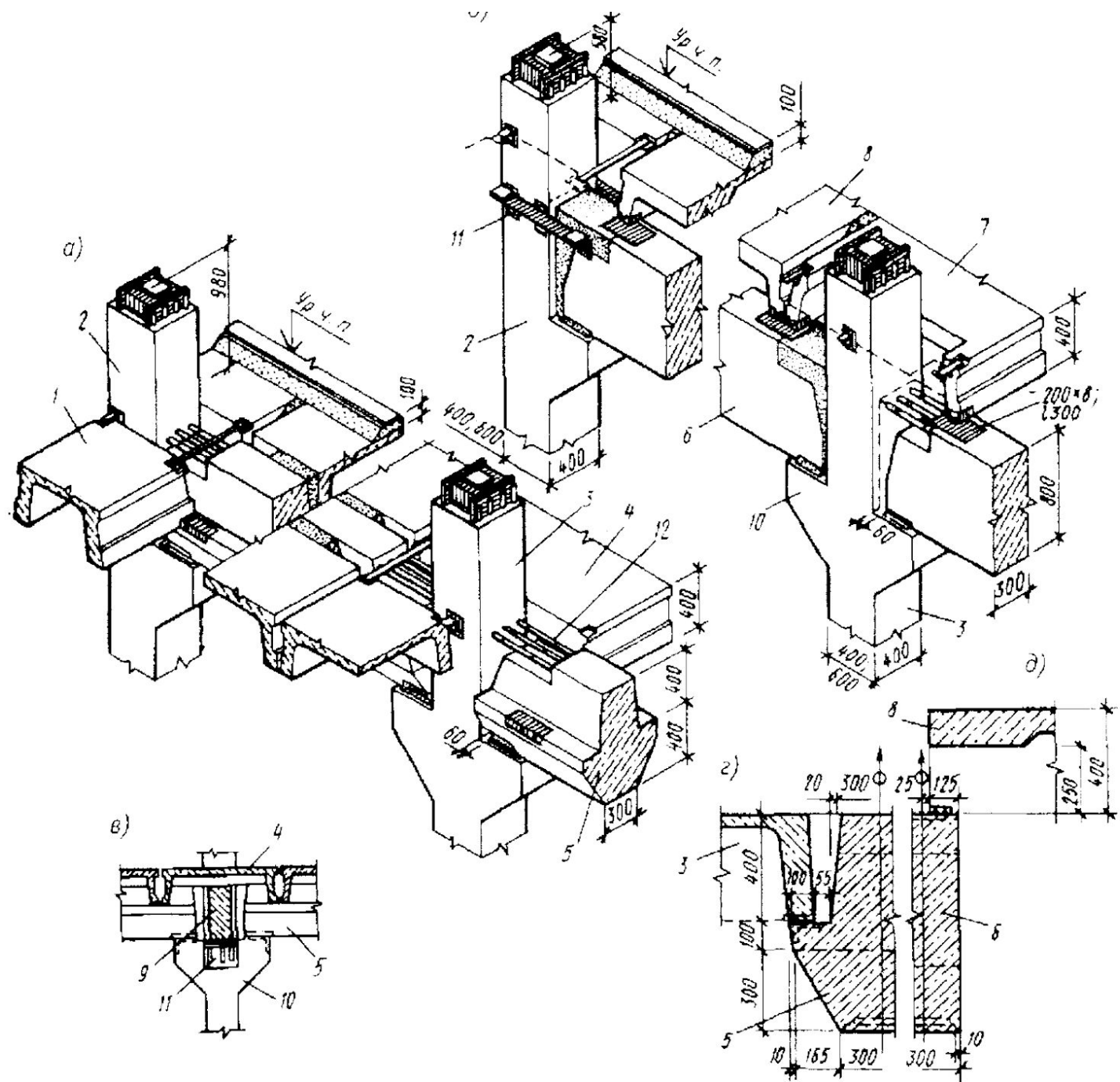
$$H_{cp} = 3,6; 4,8; 6,0 \text{ M}$$

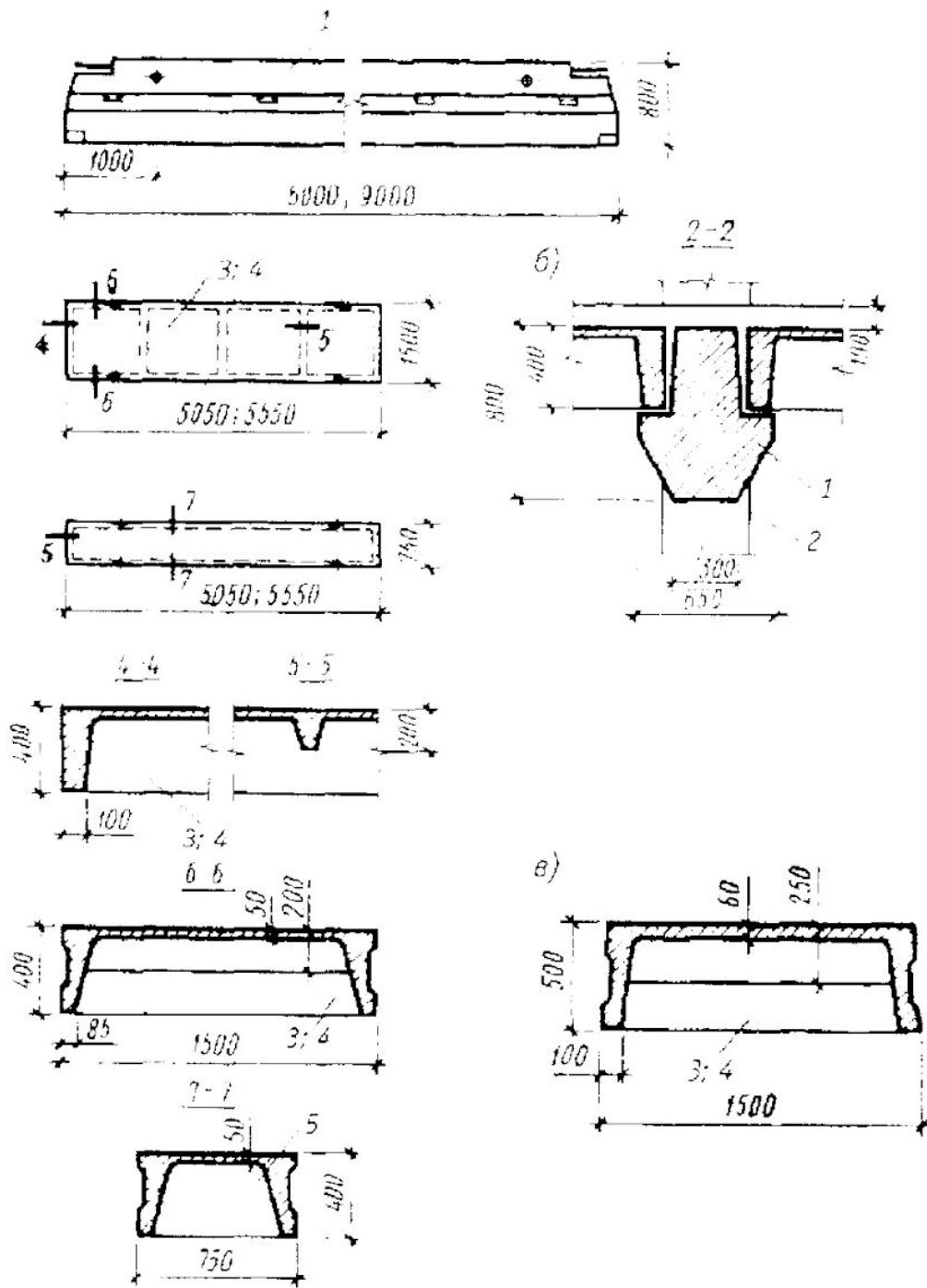




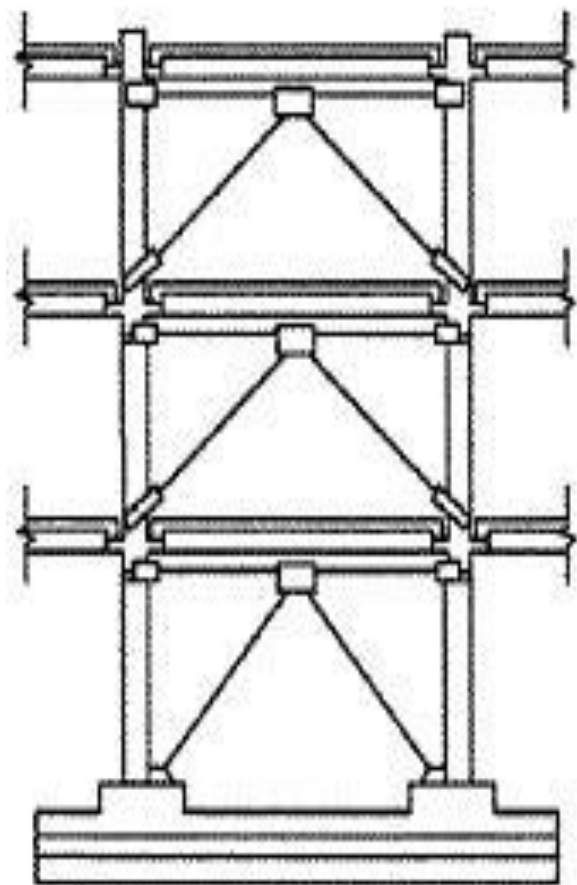




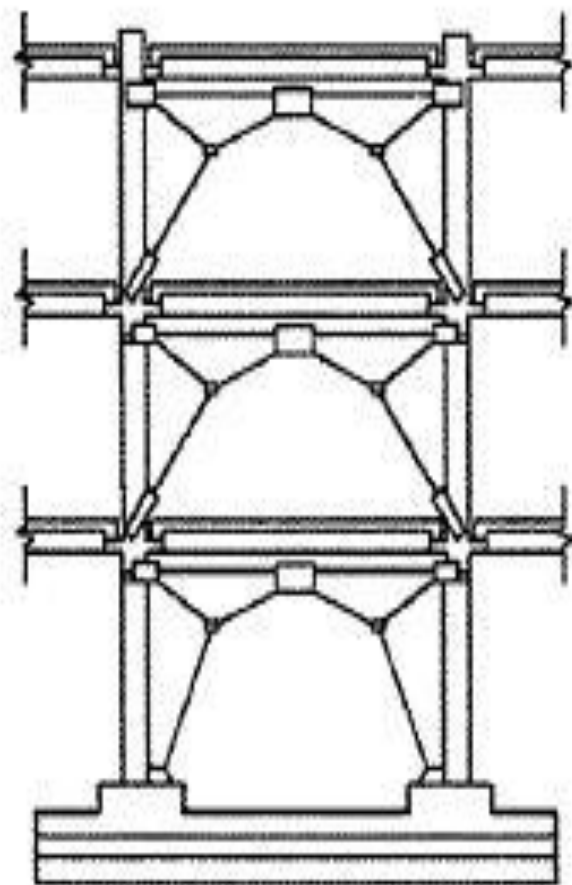




a



b



c

