

Shtiebel VLR 70 S(L)

VS

VENTO Eco

VS

VENTO Expert

Comparison

Complete unit

VLR 70 S



VENTO Eco



VENTO Expert



Indoor unit design

VLR 70 S (L)



VENTO Eco



VENTO Expert



Characteristics



Parameters	VLR 70 S (L)	VENTO Eco A50-4 Pro	VENTO Expert A50-1 W V.3
Speeds, m3h	20/30/40/ 70	15/30/50	15/35/50
Air flow for regeneration mode, m3h	10/15/20/ 35	7/15/25	7/18/25
Max power consumption, W	7 (12*)	1 / 2,1 / 4,3*	5/6/ 7 (8,5)*
Rated voltage, V	24	100-240	
IP rating	21	24	
Heat regenerator material	aluminum	ceramic	
Heat regeneration @10m3h, %	89 (92*)	89(92*)	89(95*)
Cycle, s	40	70	
Sound power level, dB(A)	36 @20m3h	38 @35m3h	33 @20m3h
Transported air temperature	-25*...+40	-20...+40	

*For long length version

Modifications

VLR 70 S(L)

VENTO Eco

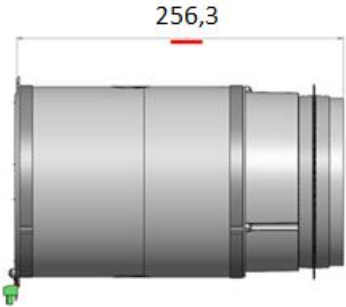
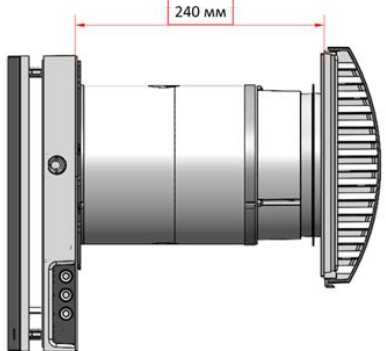
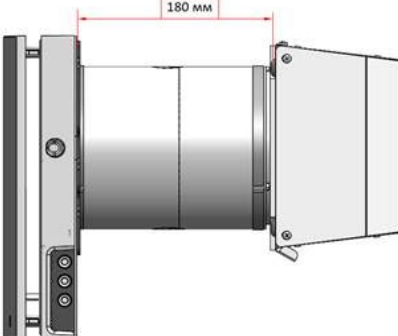
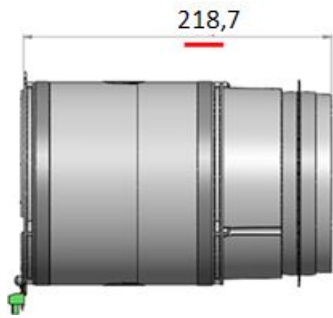
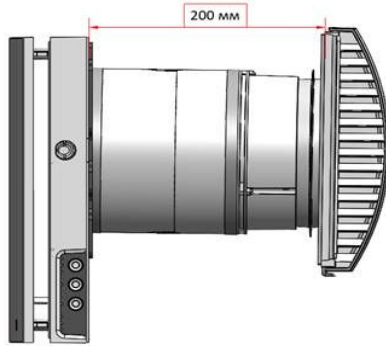
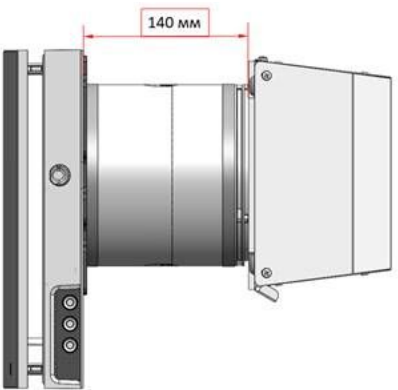
VENTO Expert

Name	Wall length, mm	External hood	VENTO Eco models	Wall length, mm	External hood	VENTO Expert models	Wall length, mm	External hood
VLR70S	100-300		VENTO Eco A50-4 C1* Pro S13	90-500		VENTO Expert A50-1 C1* S13 W	140-300	
VLR70L	300-550		VENTO Eco A50-4 C1* Pro S11	200-500		VENTO Expert A50-1 C1* W	200-500	
			VENTO Eco A50-4 Pro S11	240-500-700**		VENTO Expert A50-1 W	240-500-700**	

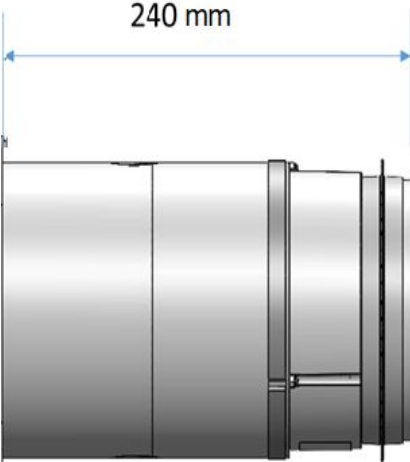
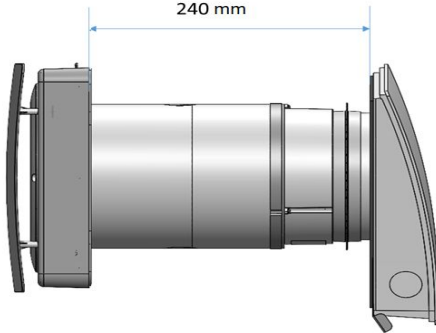
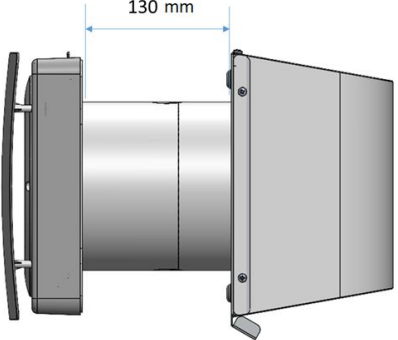
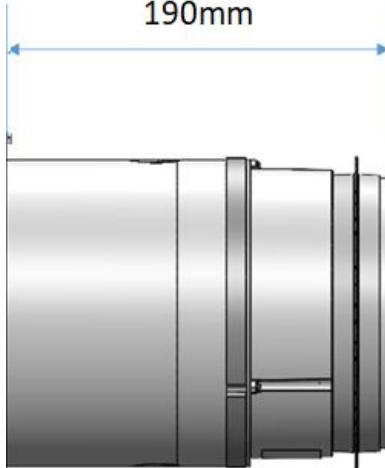
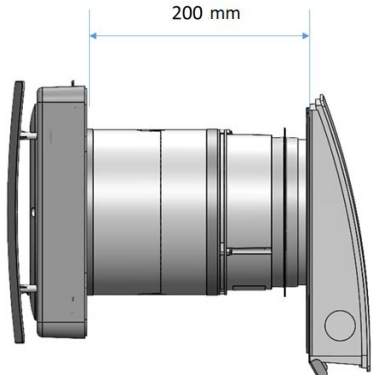
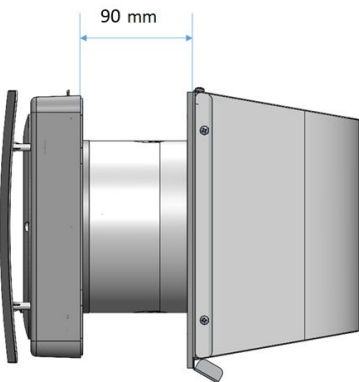
*C1 is short heat exchanger 100mm length

** with long duct kit

Solution for thin walls VENTO Expert

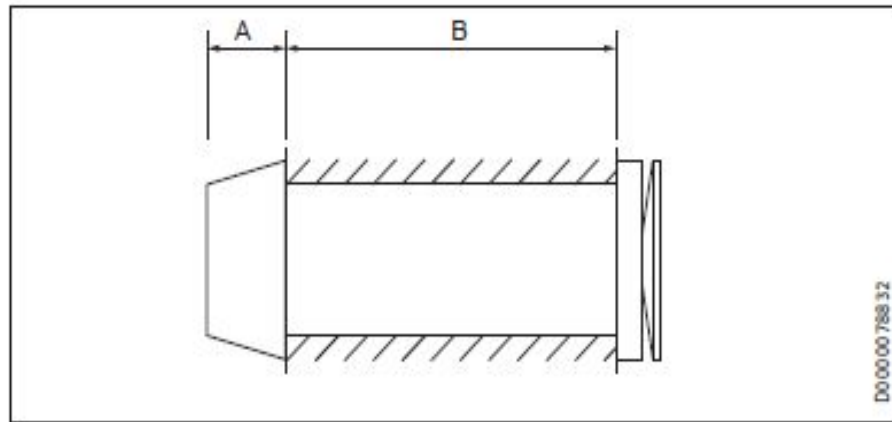
<p>Existing “standard” ventilation module</p>		<p>Normal hood (S-10)</p> <p>Total length = 240mm</p> 	<p>Hood for thin walls (S-13)</p> <p>Total length = 180mm</p> 
<p>Suggested “new shortened” ventilation module C1</p>		<p>Normal hood (S-10)</p> <p>Total length = 200mm</p> 	<p>Hood for thin walls (S-13)</p> <p>Total length = 140mm</p> 

Solution for thin walls VENTO Eco

<p>“Standard” ventilation module (150mm heat exchanger)</p>	 <p>240 mm</p>	<p>Normal hood (S-11)</p> <p>Total length = 240mm</p>  <p>240 mm</p>	<p>Hood for thin walls (S-13)</p> <p>Total length = 130mm</p>  <p>130 mm</p>
<p>Ventilation module C1 (100mm heat exchanger)</p>	 <p>190mm</p>	<p>Normal hood (S-11)</p> <p>Total length = 200mm</p>  <p>200 mm</p>	<p>Hood for thin walls (S-13)</p> <p>Total length = 90mm</p>  <p>90 mm</p>

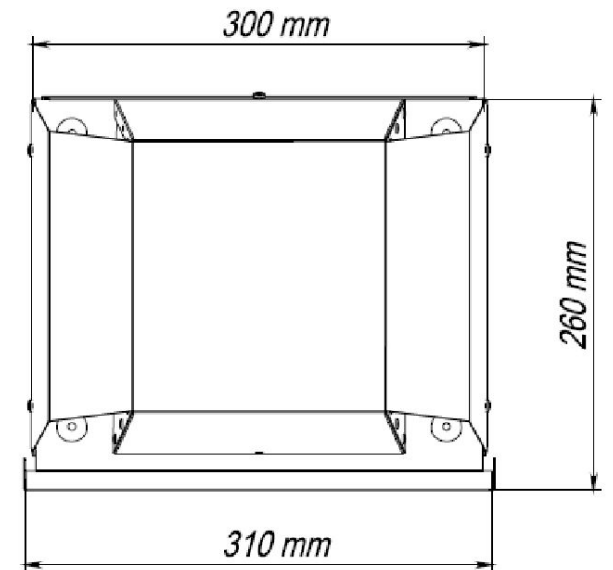
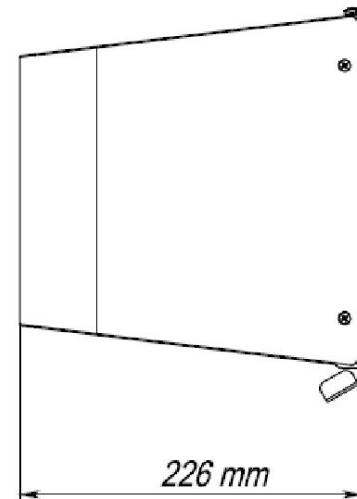
Hoods for thin walls

VLR 70 S



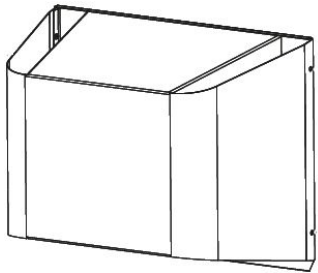
VLR 70 S Trend EN		
A	mm	200
B	mm	100-300

VENTO Eco, VENTO Expert S - 13



Colors of thin wall hoods

VLR 70 S(L)



White

VENTO Eco, VENTO Expert



White



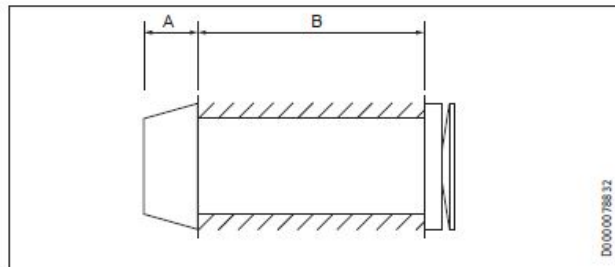
Grey



Chrome

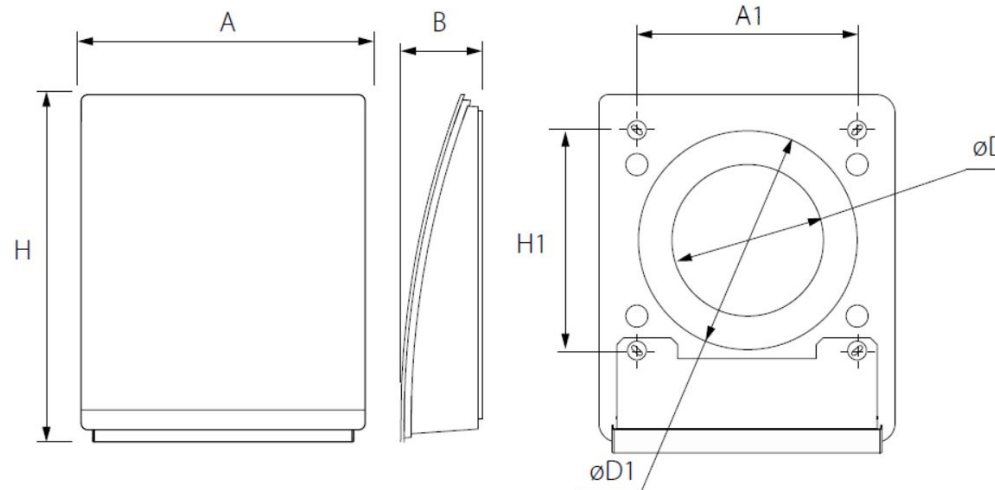
Standard hoods

VLR 70 L



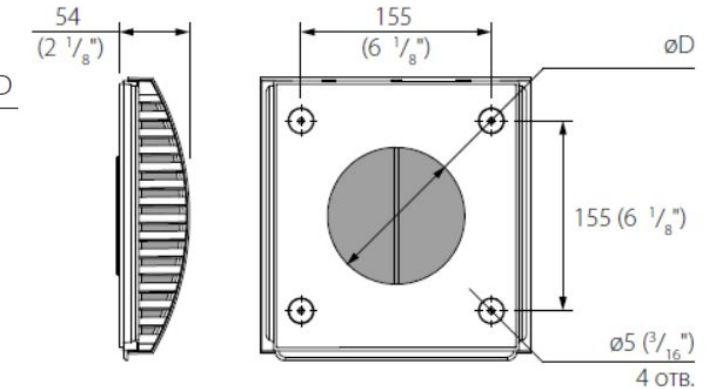
VLR 70 L Trend EN		
A	mm	80
B	mm	300-550

VENTO Eco plastic hood S-11



Model	Dimensions [mm]						
	$\varnothing D$	$\varnothing D1$	A	A1	B	H	H1
AH-11	106 (4 $\frac{3}{16}$ ")	164 (6 $\frac{7}{16}$ ")	212 (8 $\frac{3}{8}$ ")	160 (6 $\frac{5}{16}$ ")	60 (2 $\frac{3}{8}$ ")	260 (10 $\frac{1}{4}$ ")	160 (6 $\frac{5}{16}$ ")

VENTO Expert plastic hood S-14



Colors of standard external hood

VLR 70 L



white

**VENTO Eco
hood S-11**



white



black



grey



terracotta



brown



vintage

**VENTO Expert
plastic hood S-10
(by default white)**



white



black



grey



terracotta



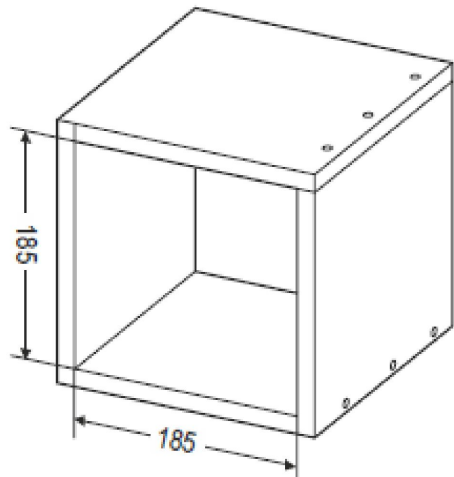
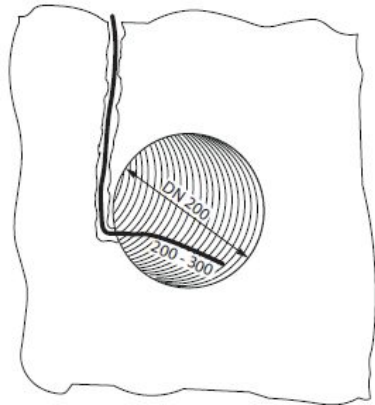
brown



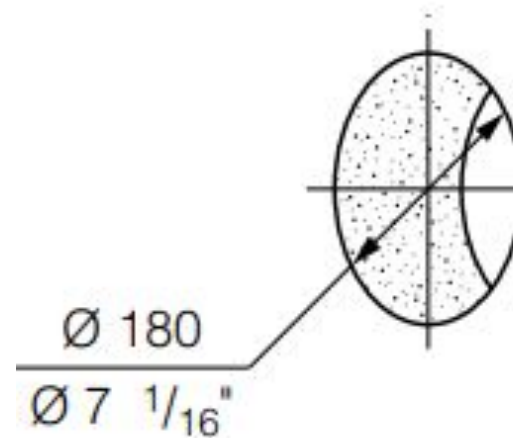
vintage

Diameter

**VLR 70 S(L) – D200mm
or 185x185**

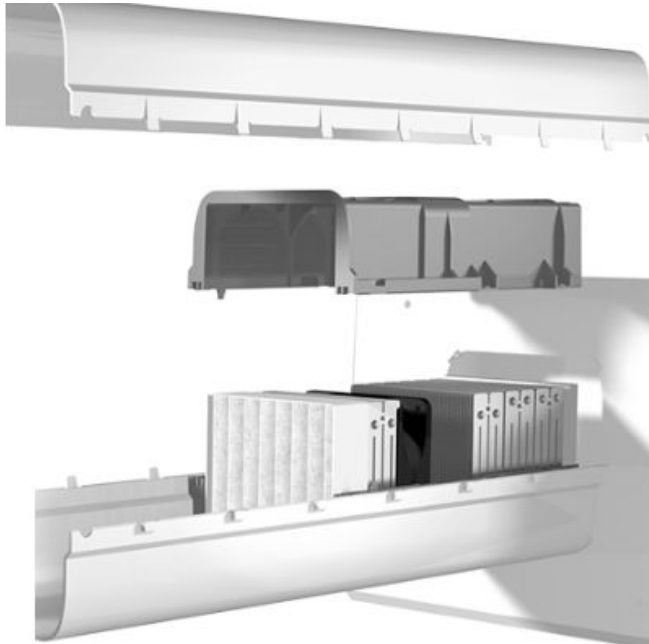


VENTO Eco, VENTO Expert – D180mm

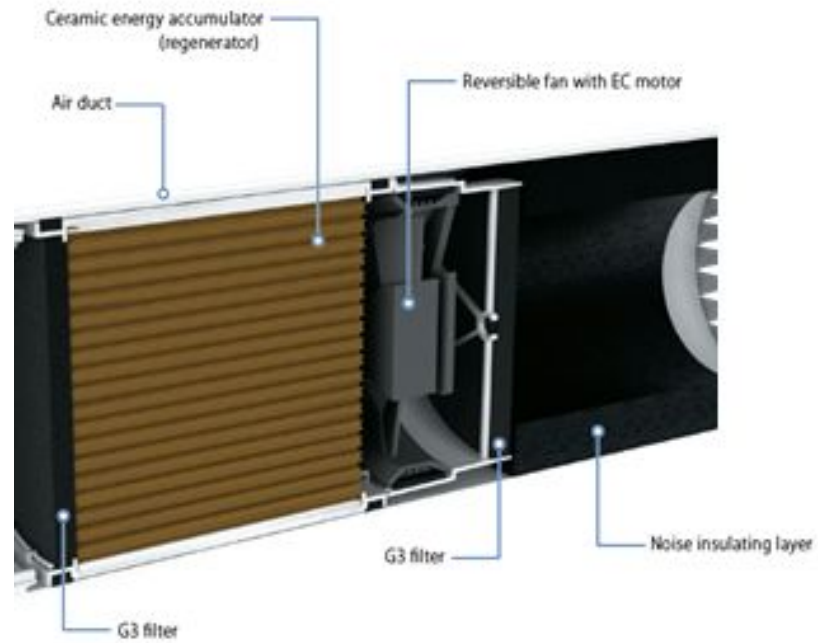


Cartridge

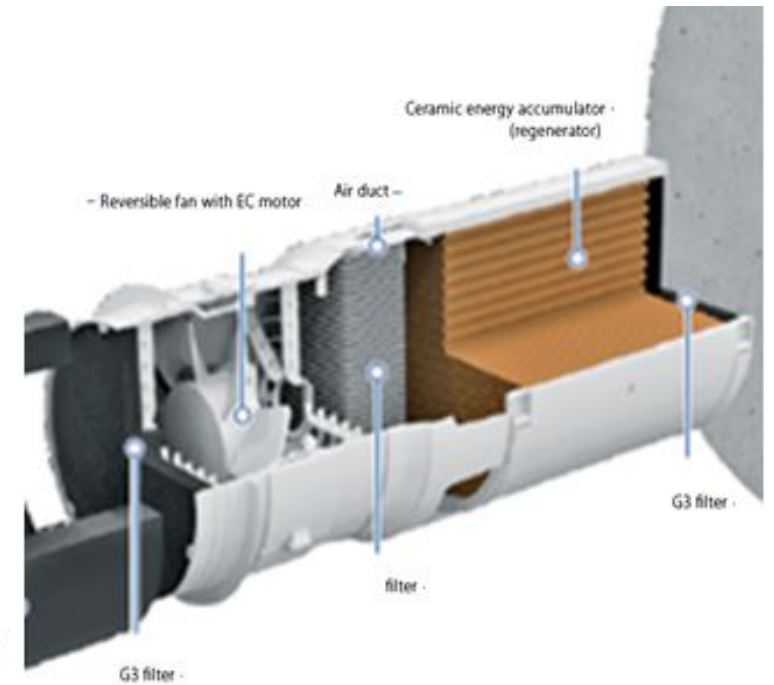
VLR 70 S(L)



VENTO Eco

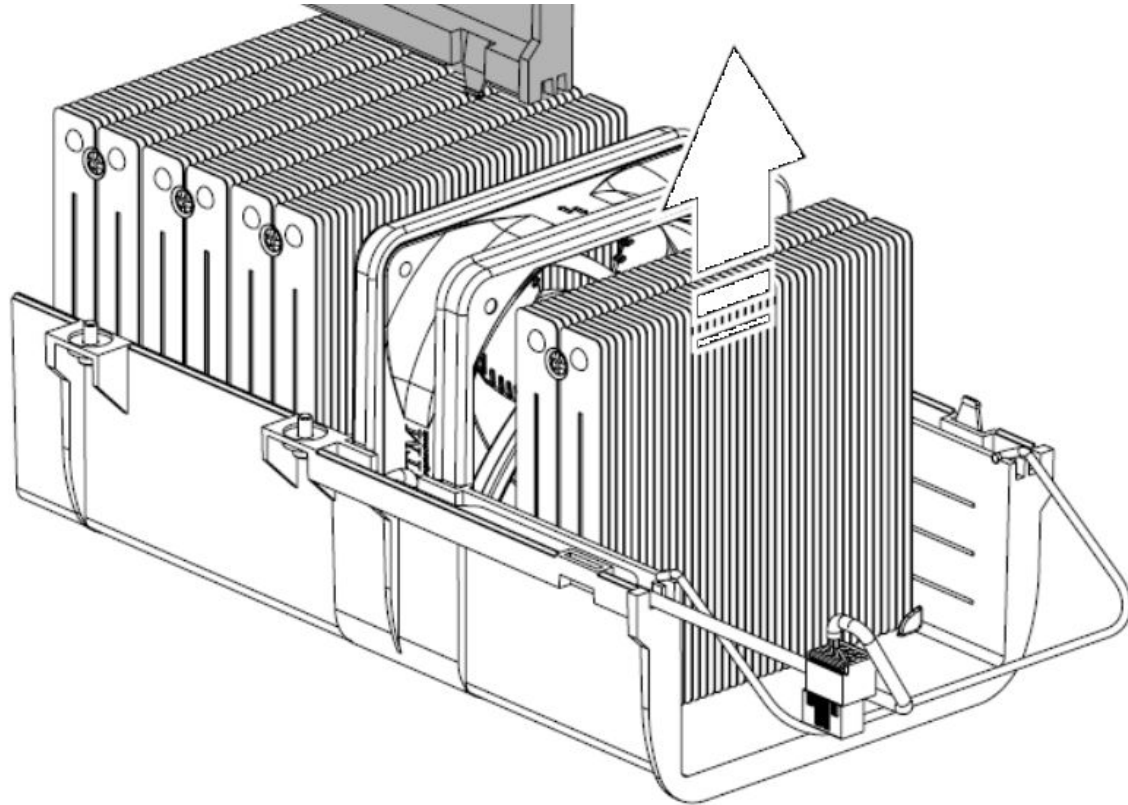


VENTO Expert



Heat exchanger

VLR 70 S - aluminum.



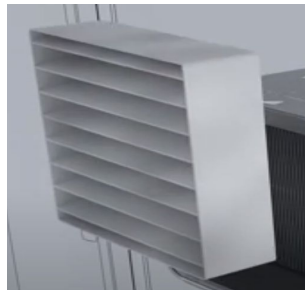
VENTO Eco, VENTO Expert - ceramic.
100 or 150mm length.



Filter

VLR 70 S(L)

- **Indoor side ePM1 \geq 50 % (F7) standard**
- **Outdoor side ISO Coarse >30% (G2) standard**
- ISO Coarse > 60 % (G4) - option
- ePM10 \geq 50 % (M5) - option
- ePM1 \geq 80 % (F9) - option



VENTO Eco, VENTO Expert

- **Indoor side ISO Coarse >30 (G3) standard**
- **Outdoor side ISO Coarse >30 (G3) standard**
- ISO Coarse > 60 % (G4) - option
- PM2.5 > 70 % (F7) - option



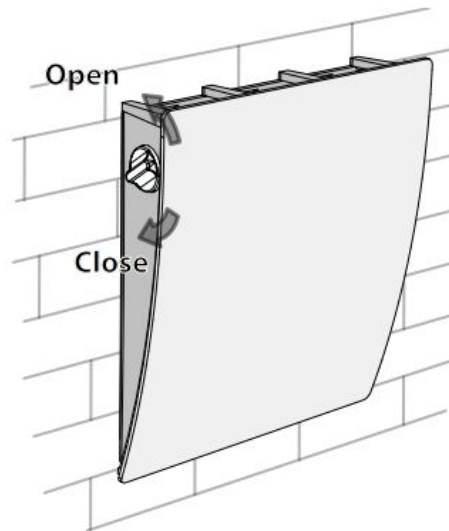
Air shutters

VLR 70 S(L)

1. Manual closure
2. VLR 70 S(L) has no automatic shutters

VENTO Eco

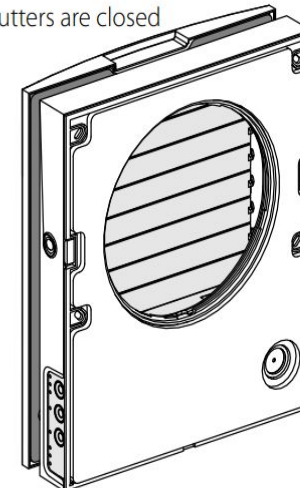
1. Manual closure
2. Eco has no automatic shutters



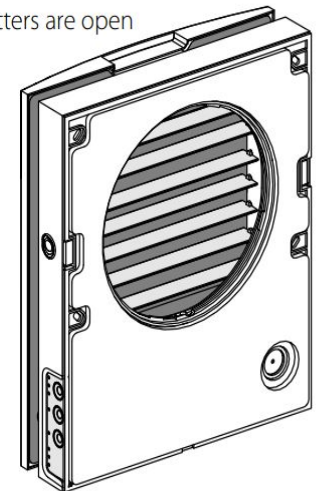
VENTO Expert W V.3

1. Manual closure
2. Automatic shutters

The shutters are closed



The shutters are open



Control panel on the unit

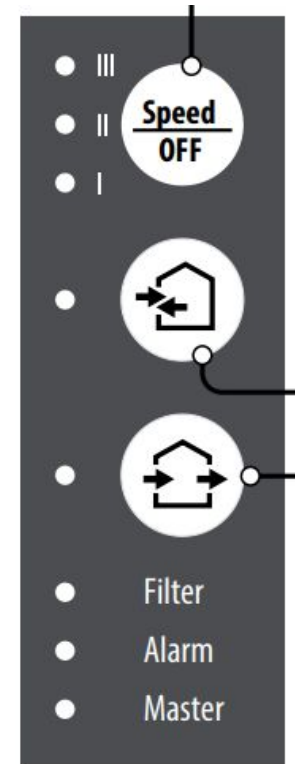
VLR 70 S(L)

Not available

VENTO Eco

Not available

**VENTO Expert
(as standard)**



IR wireless remote control

VLR 70 S(L)

Not available

VENTO Eco

Not available

**VENTO Expert
(as standard)**



Wi-Fi control



VLR 70 S(L)

VENTO Eco

VENTO Expert Wi-Fi

Not available

Not available

- «Blauberg home» mobile App.
- Google assistant + Google home App.
- Speed settings
- Modes (supply, exhaust, regeneration)
- Week schedule
- Timers
- Night and party mode
- Sensor's settings
- Engineering menu
- Alarm history






Controls




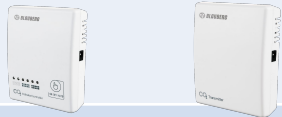
VLR 70 S(L)

VENTO Eco

VENTO Expert

Function				
	Wired wall control		Side control panel + wireless control	
"On-Off" button	-	-	✓	-
Timers and night mode button	-	✓	✓	✓
Wi-Fi button and indicator	-	✓	✓	✓
Timers setting	✓	✓	-	✓
"Fan stage" indicator	✓	✓	✓	✓
"UP" "DOWN" buttons	✓	-	-	-
"Filter" indicator	✓	✓	✓	✓
"Fault" indicator	✓	✓	✓	✓
"Cross-ventilation" button + indicator	✓	✓	✓	✓
"Differential mode" button + indicator	✓	✓	-	✓

Sensors

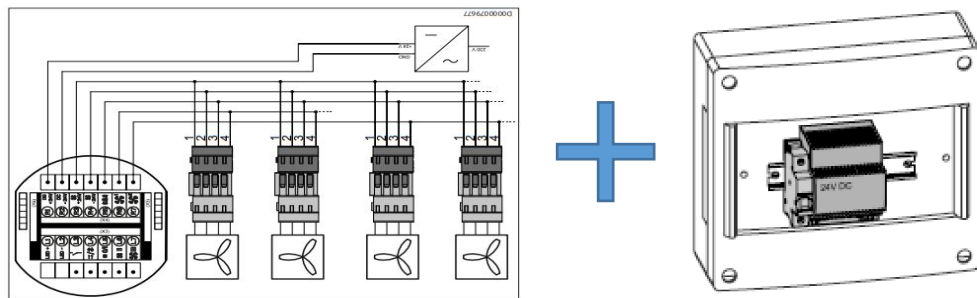
	VLR 70 S(L)	VENTO Eco	VENTO Expert
TYPE			
PM 2,5 fine dust sensor (option)	✓	✓**	✓*
CO2	✓*	✓**	
On board humidity sensor	-	-	✓
0-10 sensor	-	-	✓

**supplied by third party production*

*** only for VENTO Eco group kit*

Group connections

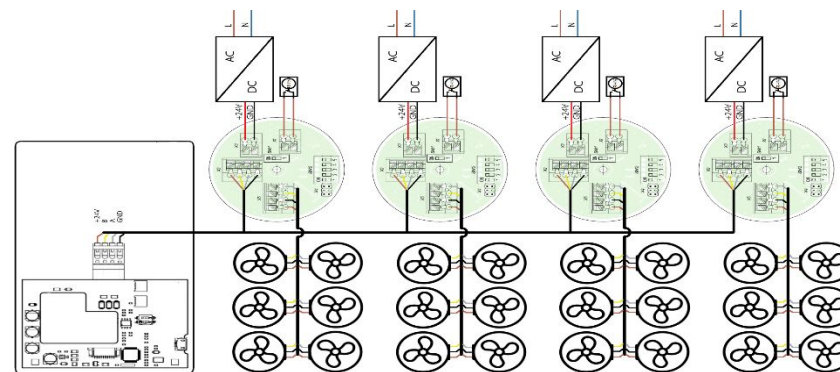
VLR 70 S(L)



1. Wired connection - up to 8 fans
2. No more unit connected to the network
3. Additional big junction box is needed for power units.
4. There is no central control panel.

**serial production from the beginning of 2023*

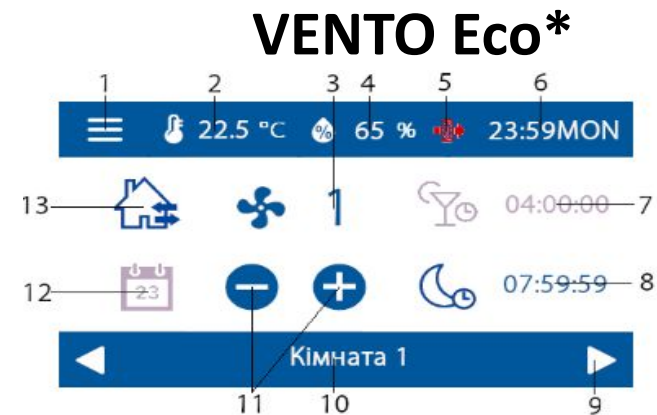
VENTO Eco*



1. Wired connection – up to 4 zones (maximum 24 units).
2. Any of VENTO Eco unit can be added.
3. Power units are hidden in the sockets with cap.
4. LCD central control panel with settings for each zone.

Central LCD control panel

VLR 70 S(L)



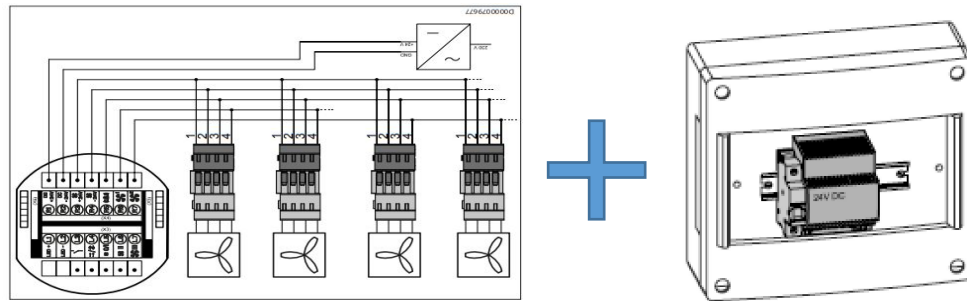
Not available

- 1-settings,
- 2 – temp,
- 3-speed,
- 4-RH,
- 5-Filter,
- 6-time,
- 7-party timer,
- 8-night mode,
- 9- next zones,
- 10-current zone,
- 11-set «+» or «-»,
- 12 calendar,
- 13 – mode (regeneration, supply, exhaust).

**serial production from the beginning of 2023*

Group connections

VLR 70 S(L)



1. Wired connection - **up to 8 fans**
2. **No more unit connected to the network**
3. **Additional junction boxes are needed for power units**

VENTO Expert



1. Wired connection – **no limits**. Wired connection - **up to 8 (slave) fans** can be connected to the one Master unit.
2. **Quantity of the units**, connected to the network through a Wi-Fi router, **is not limited**.
3. **No additional junction boxes needed**

Thank you.