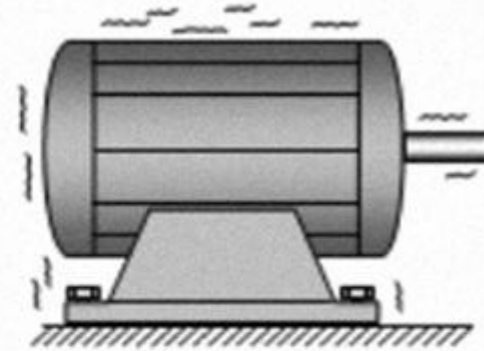


Methods and methods for measuring vibration. Vibration diagnostics.

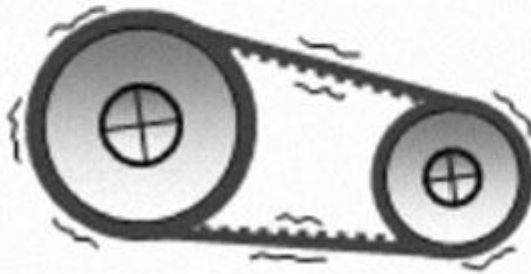




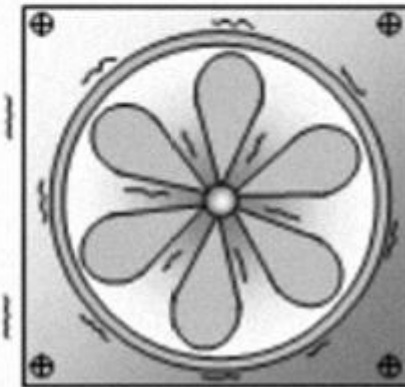
pump vibration



engine vibration

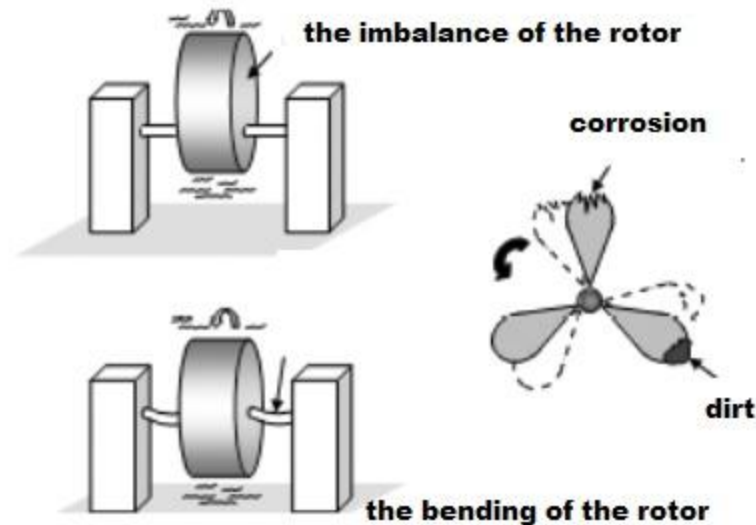


belt vibration



the vibration of the fan

Where do the periodic forces that cause machines to vibrate come from?



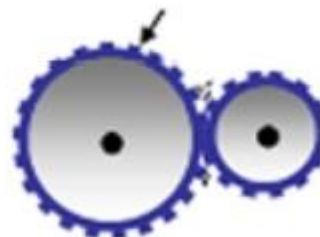
Where do the periodic forces that cause machines to vibrate come from?



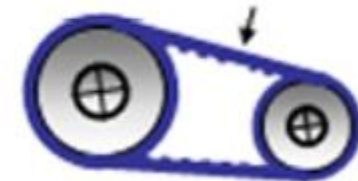
wear of rolling elements

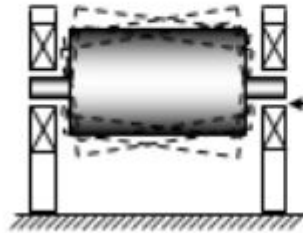


wear of the teeth

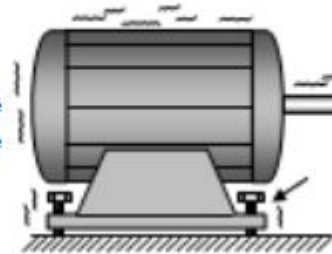


belt wear



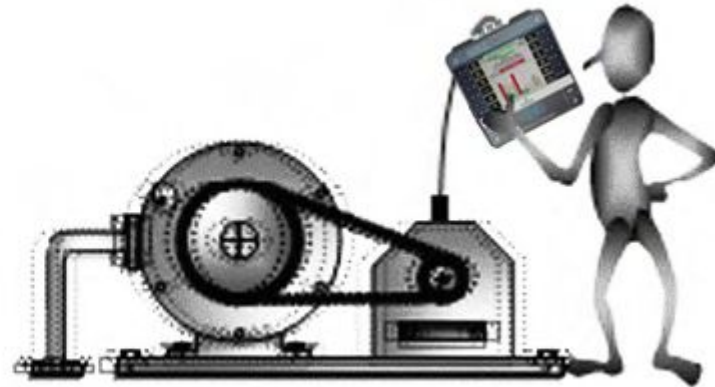


**excessive
clearance**



**loosened
bolts**

Let's make a diagnosis!



Thank you
for
your attention!