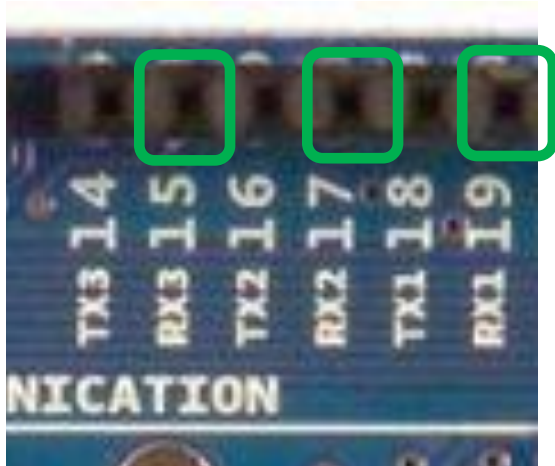




Подключить к
Arduino 3.3 V

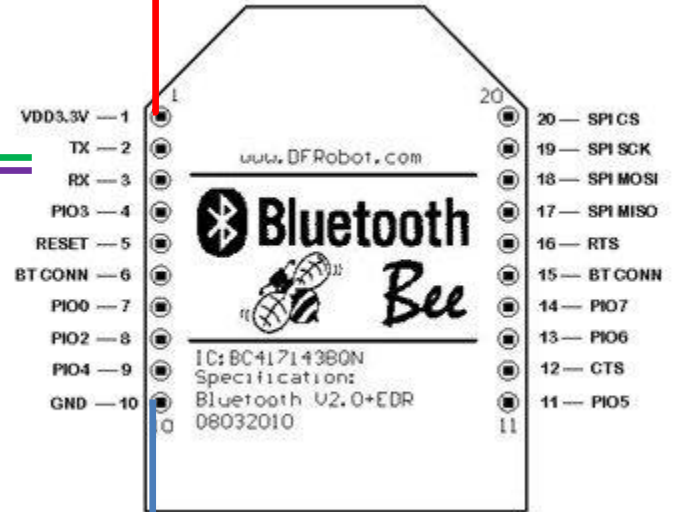


Подключить к
порту Arduino RX

Подключить к
порту Arduino RX



Подключить к порту
Arduino GND



СОЗДАНИЕ ПРИЛОЖЕНИЯ ПУЛЬТА ДИСТАНЦИОННОГО УПРАВЛЕНИЯ

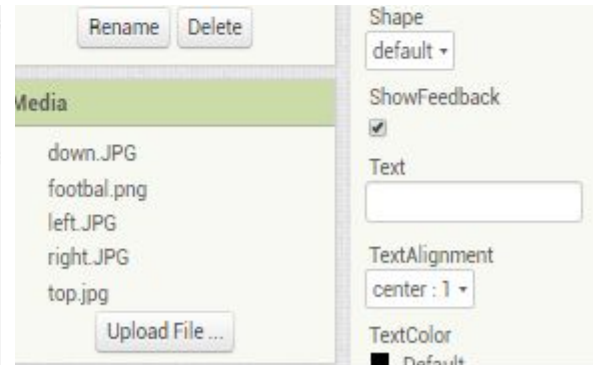
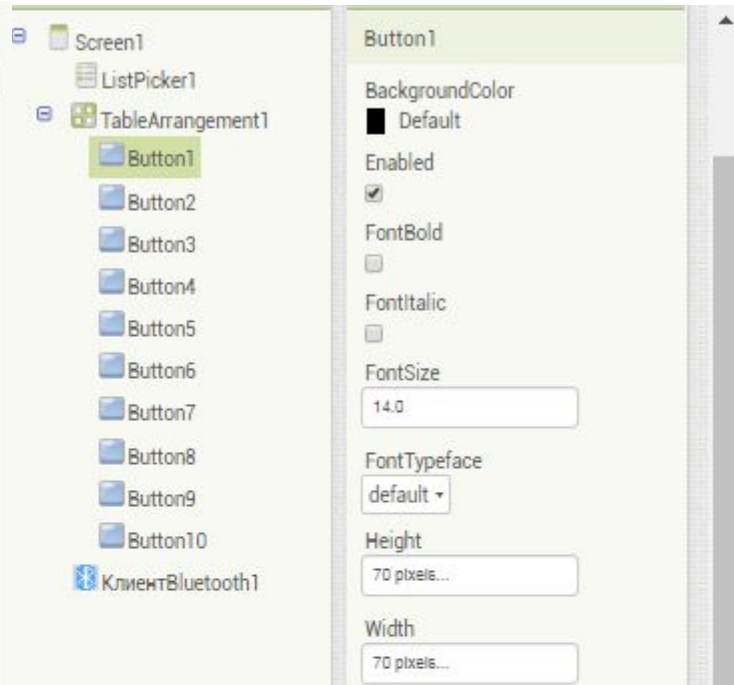
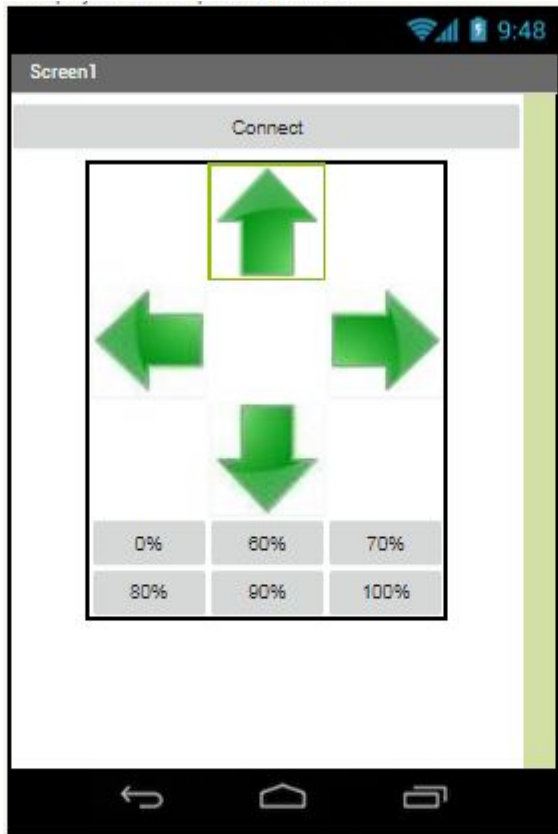
РОБОТОМ НА ОС ANDROID

The screenshot displays the MIT App Inventor web interface. At the top, the MIT App Inventor logo is on the left, and navigation links for 'Projects', 'Connect', 'Build', and 'Help' are in the center. On the right, there are links for 'My Projects', 'Gallery', 'Guide', 'Report an Issue', 'English', and a user email 'kredopo@gmail.com'. Below the header, a green bar contains the project name 'Car', a 'Screen1' dropdown, and buttons for 'Add Screen ...' and 'Remove Screen'. On the far right of this bar are 'Designer' and 'Blocks' buttons.

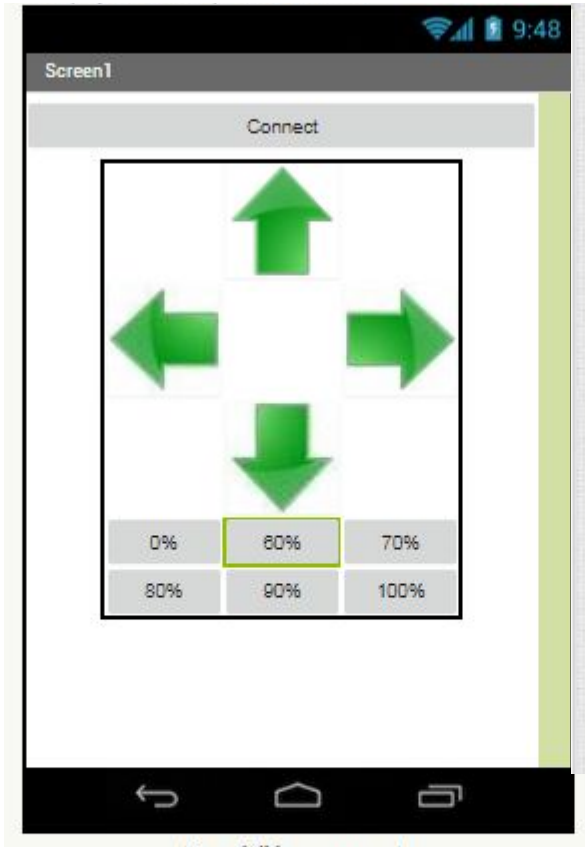
The main workspace is divided into four panels:

- Palette:** A list of user interface components such as Button, CheckBox, DatePicker, Image, Label, ListPicker, ListView, Notifier, PasswordTextBox, Slider, Spinner, Switch, TextBox, TimePicker, and WebViewer.
- Viewer:** A central window showing a mobile app preview. It features a status bar at the top with signal, Wi-Fi, and battery icons, and a time of 9:48. The app screen has a title bar 'Screen1' and a 'Connect' button. The main content area shows a central white square with four green arrows pointing up, down, left, and right. Below this are six percentage indicators in a 2x3 grid: 0%, 80%, 70% in the top row, and 80%, 90%, 100% in the bottom row. A 'Non-visible components' section is visible at the bottom of the viewer.
- Components:** A tree view showing the hierarchy of components on the screen: Screen1, ListPicker1, TableArrangement1, and ten Button components (Button1 through Button10). A Bluetooth component labeled 'КлиентBluetooth1' is also listed.
- Properties:** A panel for configuring the selected component, ListPicker1. It includes settings for BackgroundColor (Default), ElementsFromString (empty text box), Enabled (checked), FontBold, FontItalic, FontSize (14.0), FontTypeface (default), Height (Automatic...), Width (Fill parent...), Image (None...), and ItemBackgroundColor (Default).

СВОЙСТВА КНОПОК ДВИЖЕНИЯ



СВОЙСТВА КНОПОК ВЫБОРА МОЩНОСТИ



Screen1

- ListPicker1
- TableArrangement1
 - Button1
 - Button2
 - Button3
 - Button4
 - Button5
 - Button6**
 - Button7
 - Button8
 - Button9
 - Button10
- КлиентBluetooth1

Button6

BackgroundColor
Default

Enabled

FontBold

FontItalic

FontSize
14.0

FontTypeface
default ▾

Height
Automatic...

Width
Automatic...

Image
None...

Rename Delete

Shape
default ▾

ShowFeedback

Text
60%

TextAlignment
center : 1 ▾

TextColor

Media

- down.JPG
- football.png
- left.JPG
- right.JPG
- top.jpg

Upload File ...