

MEDICAL ACADEMY NAMED AFTER S.I. GEORGIEVSKY OF VERNADSKY CFU



VIEW ON EUGENICS: PROPAGANDA OR SCIENCE

Submitted By:
Sneha Gupta 195B

Guided By:
Anna Zhukova Mam

Eugenics
is
Evolution
of the *modern day*.
Eugenics leads towards a better
future for us all.



Eugenics
Progress

Eugenics

“Improving human genetic qualities”



AS
SBI4U
Mr. Watts
24/05/2012



What is Eugenics?



- Eugenics is a social philosophy which advocates the improvement of human traits through various forms of intervention
- It is the concept of selective breeding in humans to achieve improved genetic qualities, that will strengthen and improve the gene pool
- Essentially, eugenics is the belief that people with favourable genes are more beneficial to a society



Eugenics: Its Meaning & Purpose

- Derived from the Greek: eu-genea (or eu-geneas)
 - Meaning “well born” (Cf. Eu-thanasia)
 - Coined by Sir Francis Galton
 - Cf. “dysgenic”
- Sir Francis Galton: “the study of all agencies under human control which can improve or impair the racial quality of future generations”
- James D. Watson: “Once you have a way in which you can improve our children, no one can stop it.”

Categories of Eugenics

It is mainly divided into two categories.

- Positive eugenics
 - Encouraging reproduction of those genetically 'fit'
- Negative eugenics
 - Aims to prevent those deemed physically, mentally or morally unfit to procreate. Generally by sterilization or segregation



How to improve the hereditary make-up of the "race"?

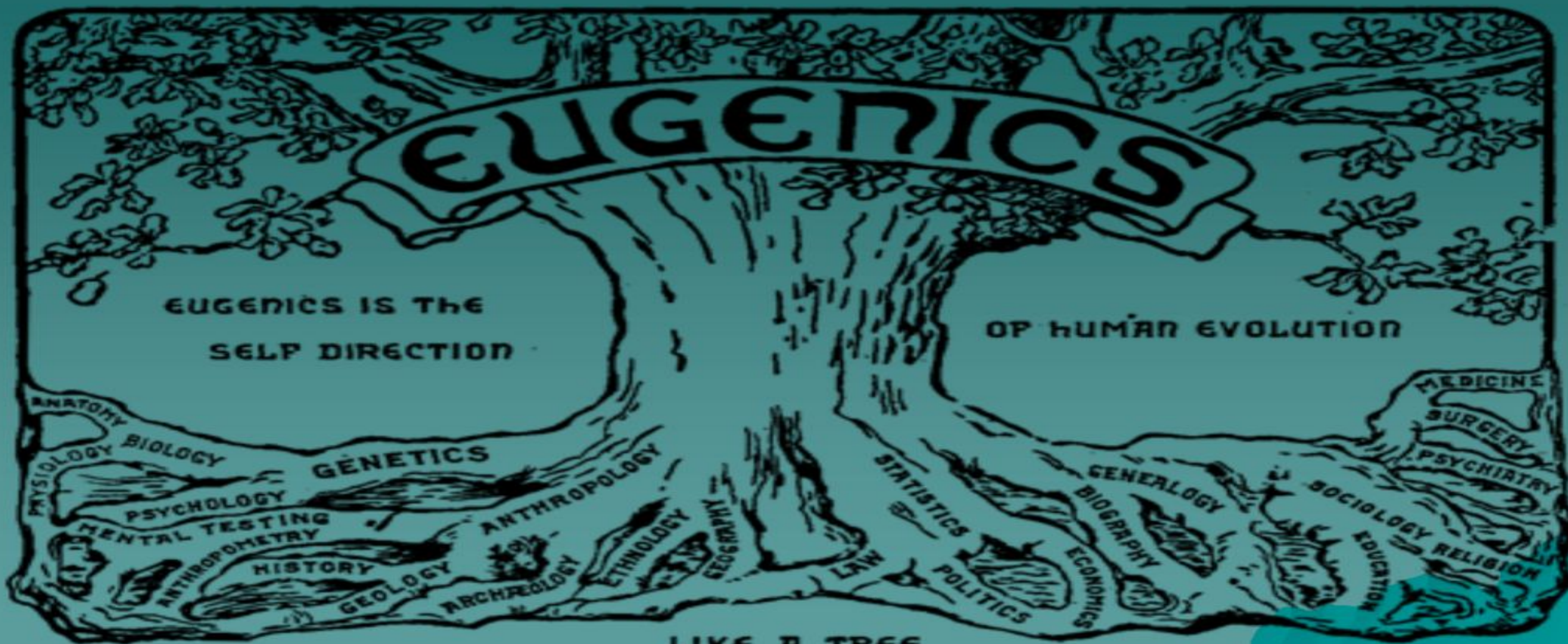
- Positive eugenics
 - Encourage "fitter" people to have more kids who share their "good" genes.
- Negative eugenics
 - Persuade, pressure, or compel "unfit" people not to pass on "defective" genes.
 - Permanent segregation.
 - Forced sterilization.

Who was targeted as “unfit”?

Charles Davenport, head of the Eugenics Record Office, the scientific branch of the US movement:

“It is a reproach to our intelligence that we as a people should have to support about half a million insane, feebleminded, epileptic, blind and deaf; 80,000 prisoners and 100,000 paupers at a cost of over 100 million dollars per year.”

History of Eugenics



LIKE A TREE

EUGENICS DRAWS ITS MATERIALS FROM MANY SOURCES AND ORGANIZES THEM INTO AN HARMONIOUS ENTITY.

Ancient Eugenics

- Many ancient tribes practiced eugenics at some time.
- Sparta, Athens, then Rome: exposes unhealthy infants to the elements.
- Sparta also “challenged” infants with survivability testing – described by Adolf Hitler as the first “voelkish” state.
- Plato (*the Republic*): devised a positive eugenics program, concealed by a lottery.

Where did Eugenics originate from?

- Term eugenics literally means “well-born”
- The platform originated from an essay about population dynamics in 1798 written by Thomas Malthus (political economist)
- It was introduced in the 1880s by Sir Francis Galton, a cousin of Charles Darwin and the father of modern statistics.
- Sir Francis Galton coined the term eugenics in 1883 from the Greek eugenes, and devoted a part of his life to propagating the idea of improving the physical and mental makeup of the human species by selective parenthood.



Early Eugenacists

- Believed genetics were the cause of problems for the human gene pool
- It was only possible to treat bad symptoms for a short period of time. They encountered that eugenics sought to eliminate the disease permanently
- They were determined to eliminate the genes of feeble-mindedness—including manic depression, immorality, alcoholism, rebelliousness, criminality, laziness, prostitution.
- Charles B. Davenport (founder of eugenic record office in NY) suggested that people with “bad genes” should be sterilized in order to prevent their reproduction and for the society to save money



Eugenics in the 1910's



Charles Davenport
1866-1944



Eugenics Record Office

- The Eugenic Record office reported and made decisions that were highly influential in the United states
- The organization researched by gathering pedigree information from thousands of families
- Rules lead onto forbidding marriage, segregation in institutions, reduce the number of immigrants and sexual sterilization of allegedly “unfit parents”.
- This lead to huge ethical debate on the misconception of “unfit” and the racially abuse to the immigrants

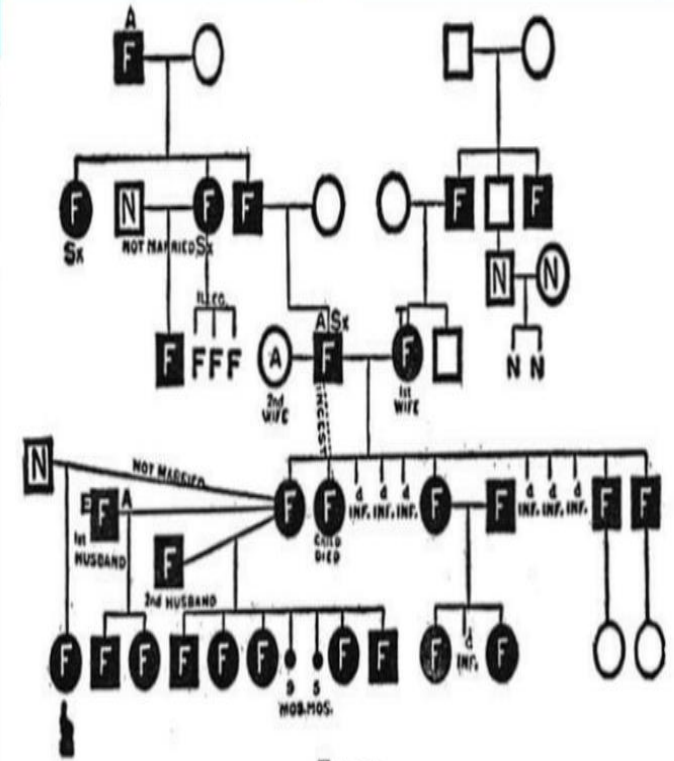


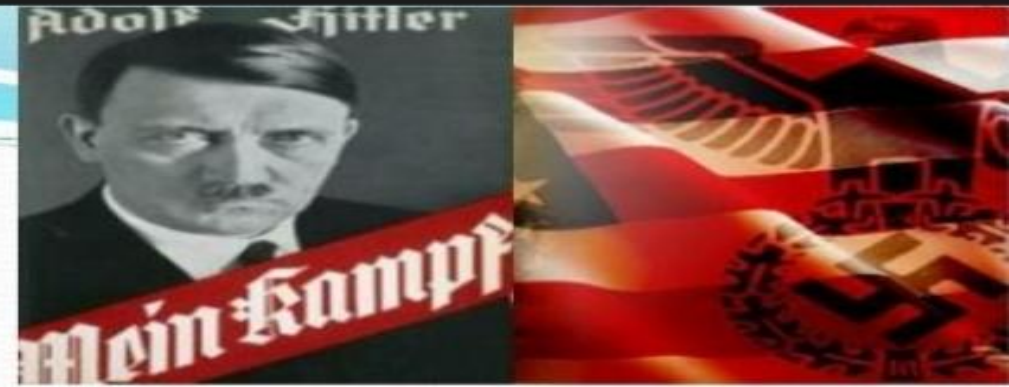
Fig. 93

Inheritance of feeble-mindedness (after Goddard); symbols same as in Fig. 91, p. 347.

Squares represent males, circles, females; F, feeble-minded; N, normal, E, epileptic; I, insane, C, criminal; T, tuberculosis; d, inf, died in infancy; and small black circle indicates miscarriage.



Nazis and Eugenics



- During the 1930s to 1945 Adolf Hitler was hated by the world because of his fearless actions
- His beliefs and concepts were actually influenced from the United States
- The concept of a white, blond-haired, blue-eyed master race was created in the US two decades before Hitler came into power
- In 1924, when Hitler wrote “Mein Kampf”, he frequently quoted American eugenics and displayed a thorough knowledge.
- “There is today one state, in which at least weak beginnings toward a better conception are noticeable. Of course, it is not our model German Republic, but the United States.”



Eugenics in the 21st century

- Great scientists such as Archibald Garrod and George Beadle helped revolutionize negative eugenics to positive eugenics
- Extreme eugenics propaganda slowly started to calm down and they refocused on the positive aspects of eugenics
- It was highly focused on encouraging people with good genes to reproduce together
- Negative eugenics do still exist today but not as apparent. (i.e the one baby per household law in China)



Relevancy of Eugenics Today

- Human Genome Mapping Project
- Identify marker for congenital defects such as Down Syndrome and cystic fibrosis and future vulnerabilities (cancer, diabetes)
- Identify markers for personality traits
- Pre-Implantation Genetic Diagnosis – only wealthy can afford
- Before eugenics focal point was selective breeding
- Now the focus is on prenatal testing and screening, genetic counseling, birth control, in vitro fertilization and genetic engineering.



Modern Genetic Selection

- In-Vitro Fertilization (IVF):
 - Choosing viable or best embryos (*selection*) and freezing the rest – *Preimplantation Genetic Diagnosis (PGD)*
 - Implanting multiple embryos, then selecting one or more for abortion (*selective reduction*) to favor the rest - “Octomom”
- Sperm-Banks and “shopping” for a “match”
 - Sperm “motility” must survive “freezing.”
- Surrogate motherhood and “shopping” for a “match”
- Selective abortion following prenatal testing, including *amniocentesis*.

Is eugenics a good idea?

- Even though we know Eugenics is an evil act, us human has to consider and analyze the way we are involving in
- By analyzing the pattern, in the next generation I believe humans will evolve into becoming less intelligent
- As statistics shows; from 1875 to now, the average human I.Q has dropped by 4.4 points.
- This doesn't necessarily mean that sterilize or segregate people that has less I.Q but organize helping institutions that will make the people more smarter
- Everyone deserves to be treated equally



My views on Eugenics

- We, as humans, naturally strive to improve ourselves and our offspring, possibly as an attempt to ensure that our personal genetic code improve as we grow. It is not unusual for us to think of ways to improve our phenotype (plastic surgery, diet, exercise, using supplements, artificial enhancement, etc.) or our genotype (selection of an 'appropriate' partner to procreate with, etc.).
- People with lower-intelligence should not be sterilized because everyone is equal. It is how you carry your intelligence that makes the transformation.
- Eugenics turned into a tool to legally exercise evil act, racism, and hatred against those in lower economical levels, non-white and non-Christians. Personally, I cannot see a value in the practice of eugenics. Morally, we as humans have a duty to protect those who cannot protect themselves, whether they are infants, children or an 'unfit' individual



“Thank You”

