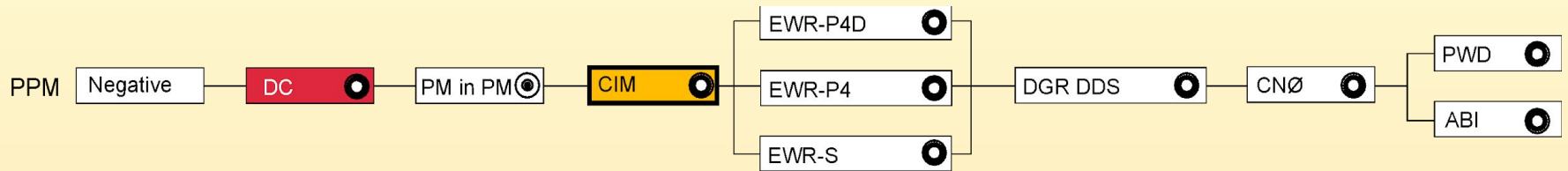


LWD 1

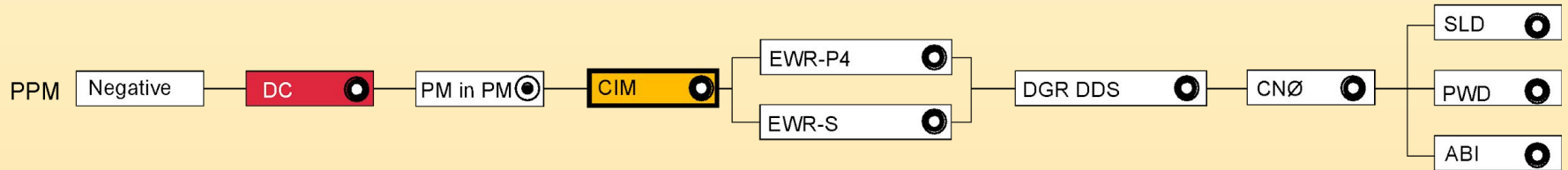
Sensor Configurations

Bus Master CIM

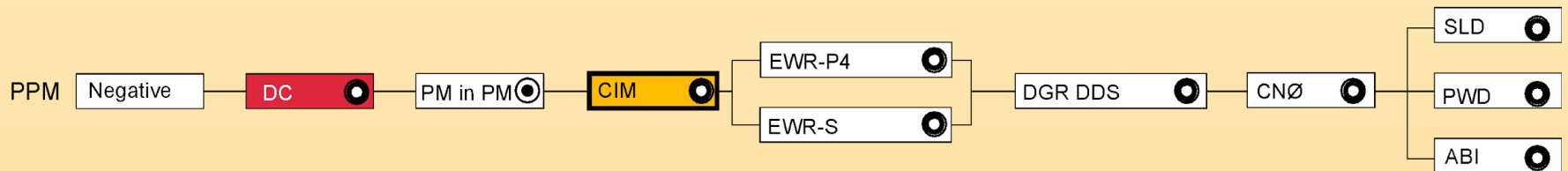
9-1/2 inch



8 inch



6-3/4 inch

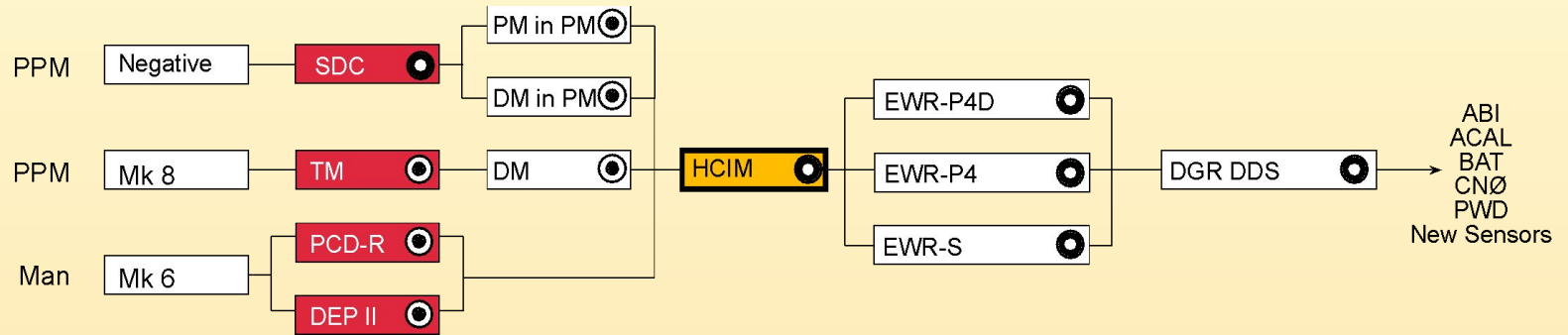


- Controls Telemetry
- Bus Master
- Sonde Tool
- Insert Tool

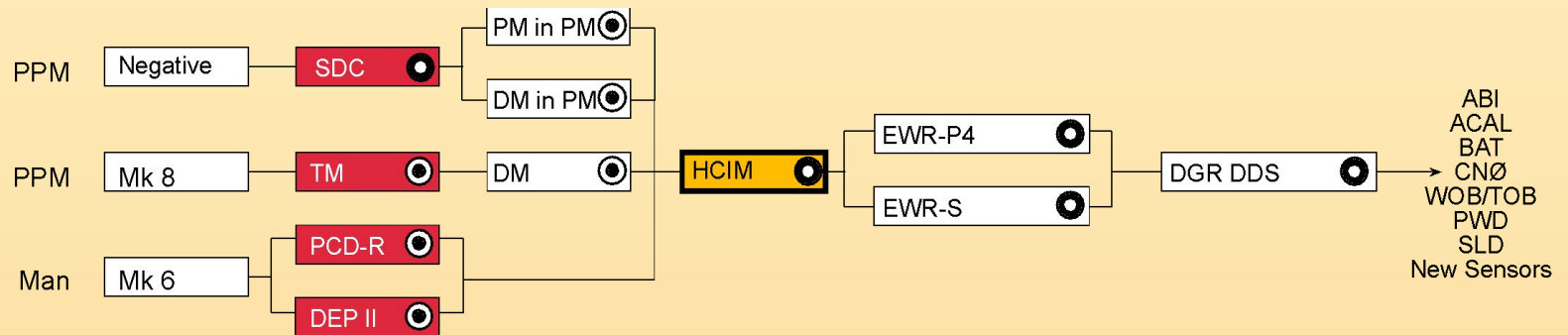
Bus Master HCIM

9-1/2 inch

- Controls Telemetry
- Bus Master
- Sonde Tool
- Insert Tool



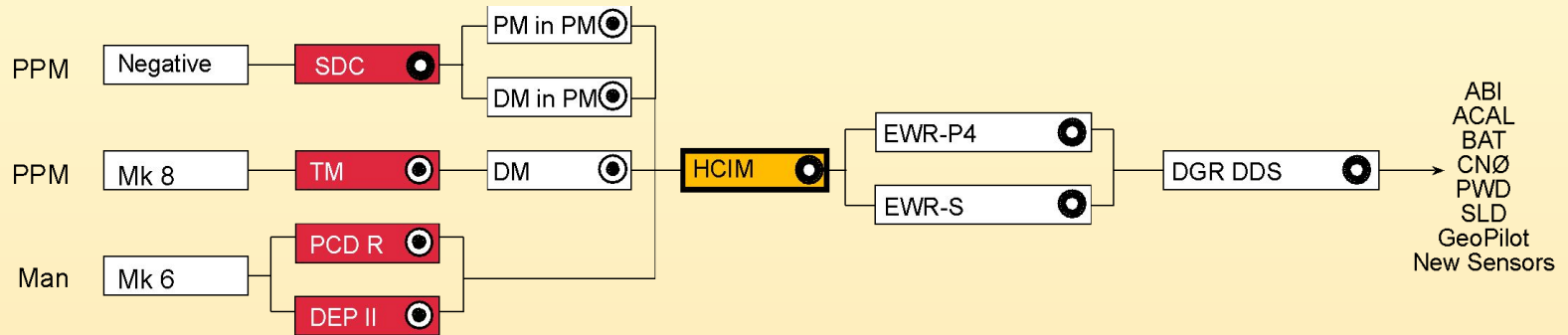
8 inch



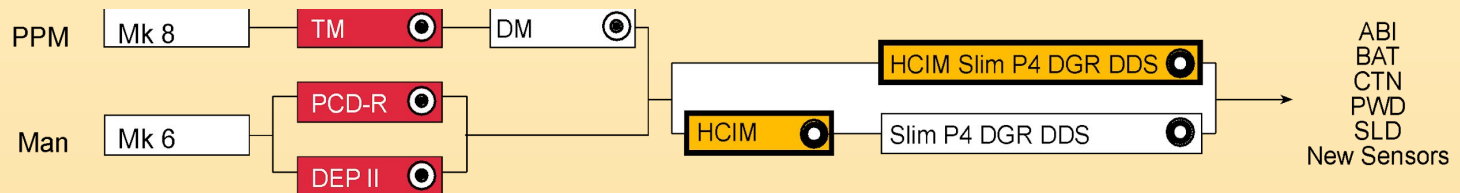
Bus Master HCIM

6-3/4 inch

- Controls Telemetry
- Bus Master
- Sonde Tool
- Insert Tool



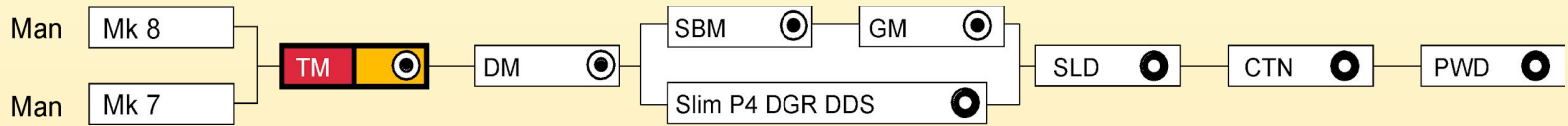
4-3/4 inch



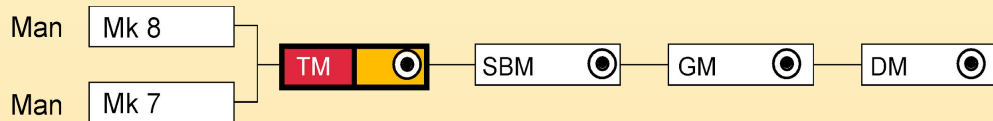
Bus Master TM

Slim FEWD 4-3/4 inch

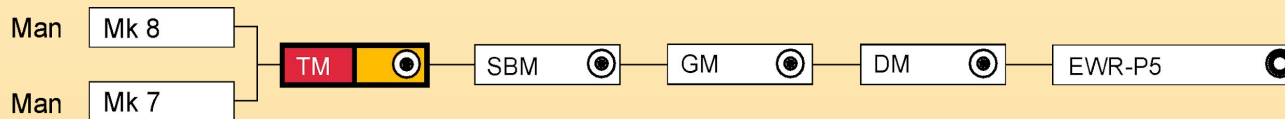
- Controls Telemetry
- Bus Master
- Sonde Tool
- Insert Tool



Solar 175 3-1/2 to 9-1/2



3-1/8

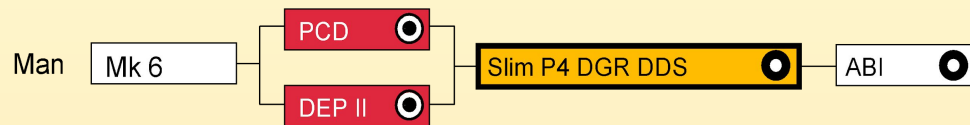


Note: For 3-1/8 inch collars use the 1-7/8 inch OD TM, SBM, GM, and DM sondes. For all larger collars use the standard 2-inch OD TM, SBM, GM, and DM sondes.

Bus Master Slim Phase 4

4-3/4 inch

- Controls Telemetry
- Bus Master
- Sonde Tool
- Insert Tool



Bus Master Various

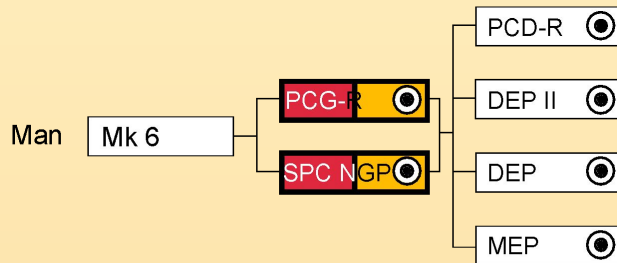
Electromagnetic Transmission

3-1/2 to 8 inch

- Controls Telemetry
- Bus Master
- Sonde Tool
- Insert Tool



Directional Gamma 3-1/2 to 9-1/2 inch

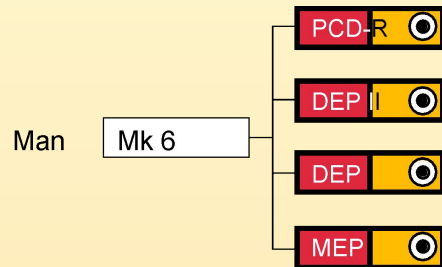


Note: For 3-1/8 inch collars use the PCD-R and PCG-R with molded on rubber centralizers.

Bus Master Various

Directional Only 3-1/2 to 9-1/2 inch

- Controls Telemetry
- Bus Master
- Sonde Tool
- Insert Tool



Note: For 3-1/8 inch collars use the PCD-R with molded on rubber centralizers.