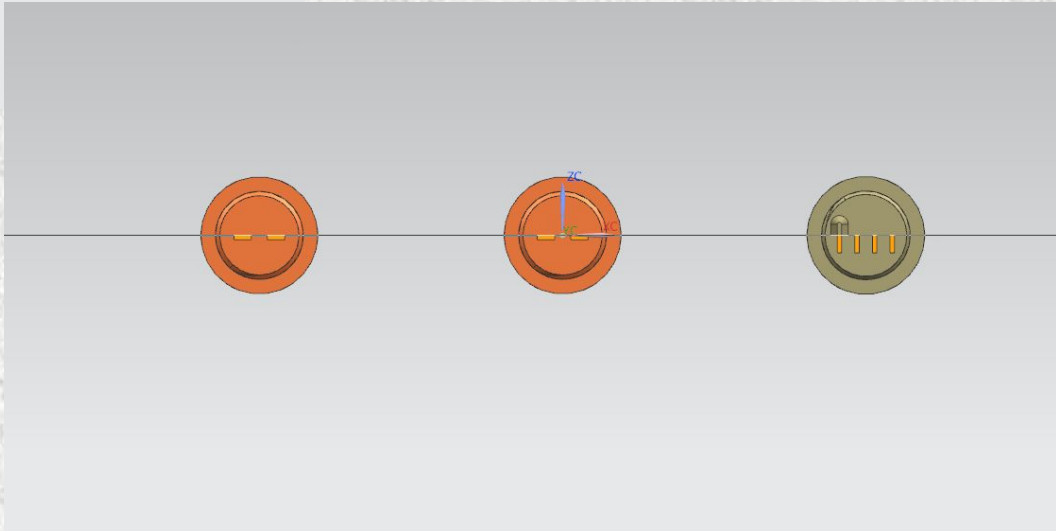
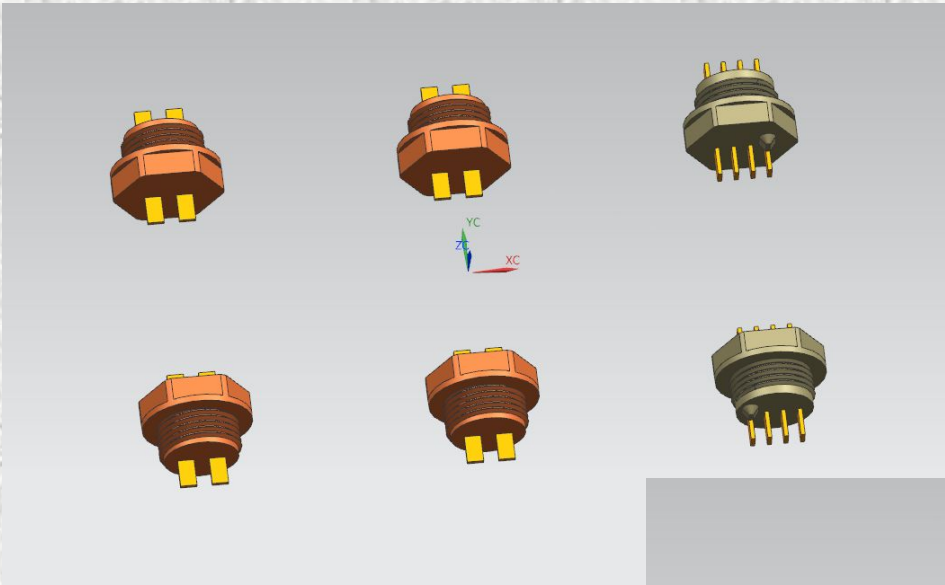


All Star Plast mold construction

Date:2022.10.25

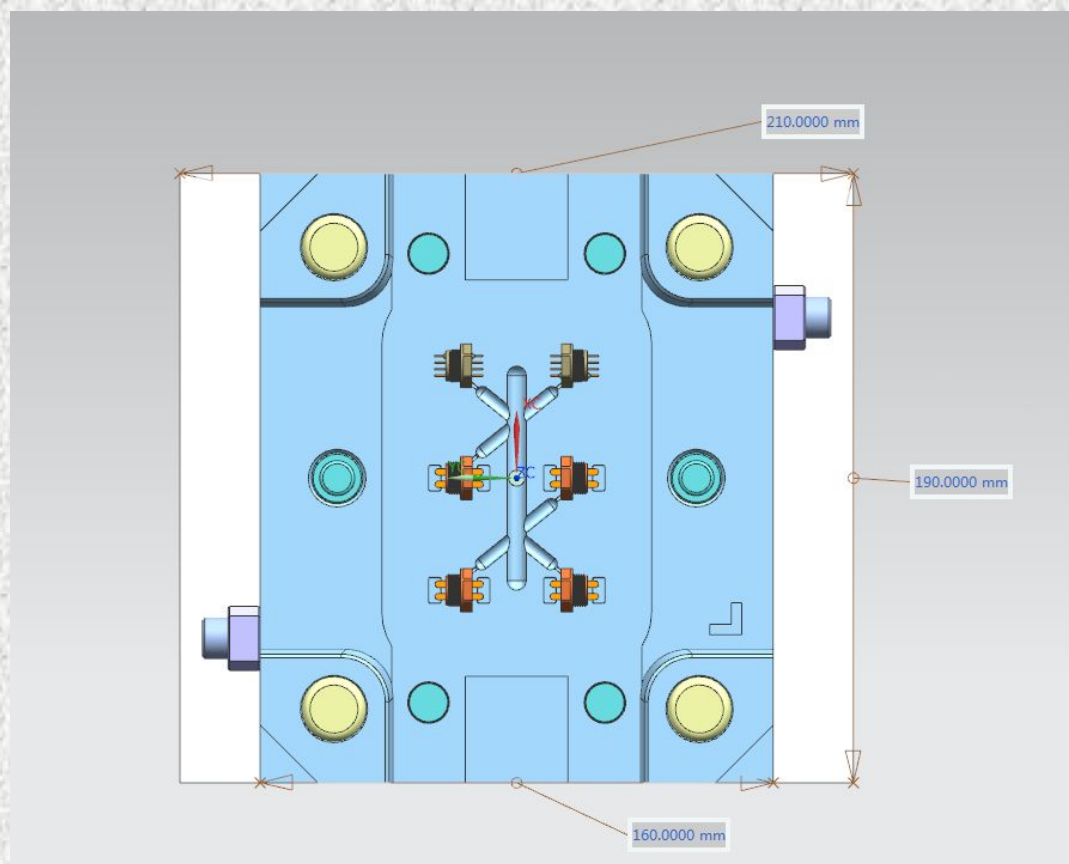


1 Parting line

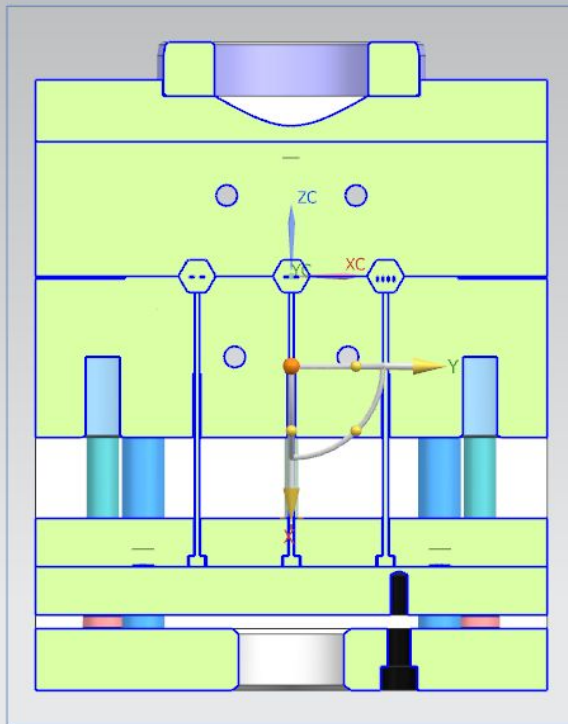


2 Mold layout

TOP



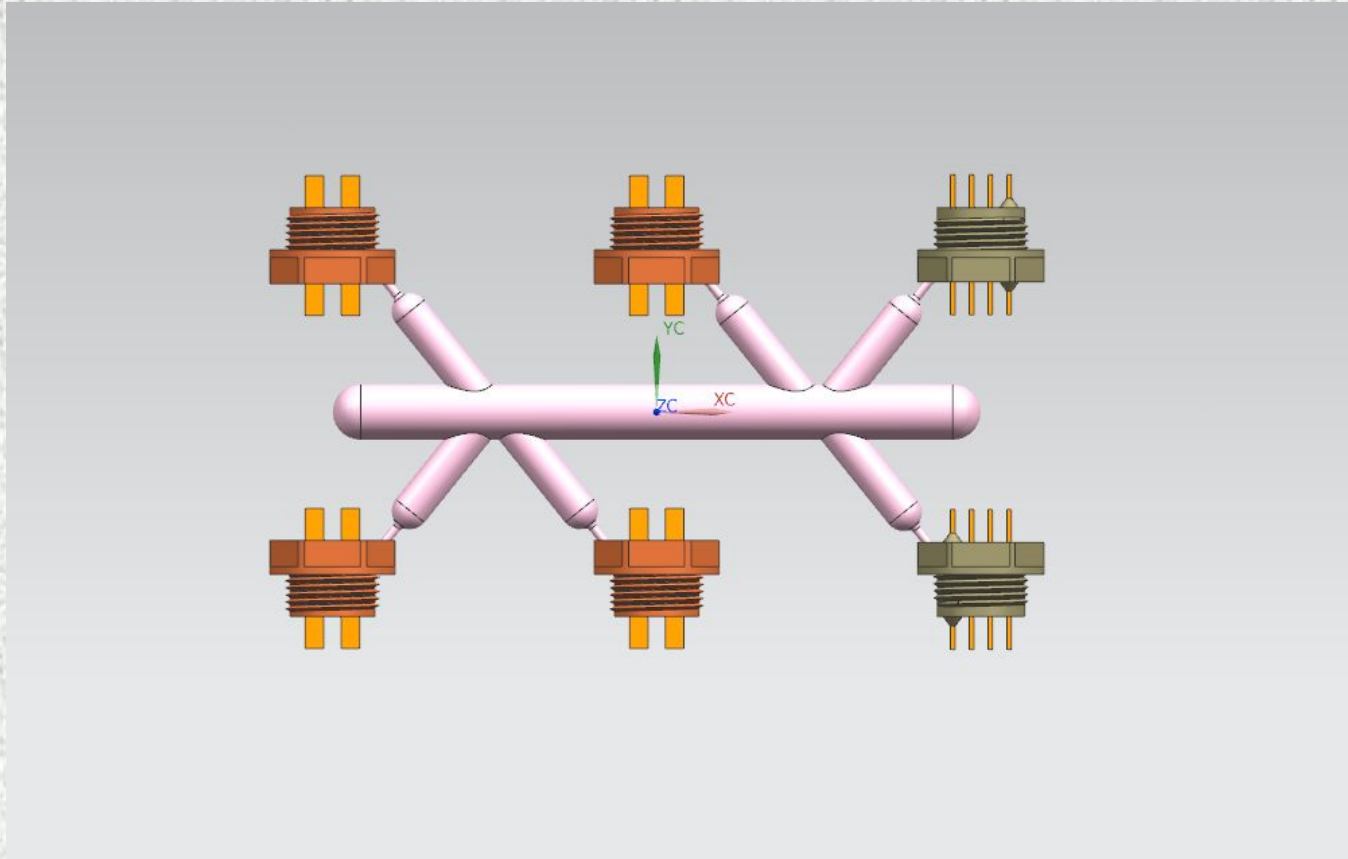
3 Mold construction



X	0.000000C
Y	-15.59000
Z	-33.50000

core inserts

4 Gate position and type



5 Ejector system

