

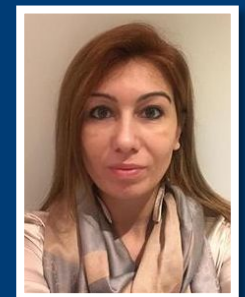
# Hardware & accessories

---

# Welcome

- **Release of new products**
- Ongoing developments
- Proposal to cancel

**Sophia De Vos**  
Product Manager Accessories



# Update June '22

3-part Eurohinge  
Sobinco



Geze Door Closer Accessories  
standard Black



Monza 3-part hinge  
Fapim



UL Panic Certification  
US & Canada

Reynaers DoorPull Fin



1. **ਕੰਪਨੀਆਂ/ਕੰਪਨੀਆਂ**
  - ਮਿਸ਼ਨਿਕ
  - ਏਅਰਲਿਨਰ ਕੰਟਰੋਲਸ/ਕੰਟਰੋਲ
  - ਫਿਗਰਿੰਗ
  - ਫਿਜ਼ੀਕਲ ਟੈਸਟ ਕੋਸ਼ਟਿਕਸ
2. **ਏਅਰਲਿਨਰ ਐਪਲੀਕੇਸ਼ਨ**
  - ਫਿਗਰਿੰਗ ਟੈਕਨੀਕਸ
  - ਡਿਜ਼ਾਈਨ/ਵਾਕ ਡਿਜ਼ਾਈਨ/ਕੰਟਰੋਲ
  - ਐਪਲੀਕੇਸ਼ਨ ਟੈਕਨੀਕਸ
  - ਆਰਟੀਕਲ ਕਲੋਰ/ਕਲੋਰ ਡਿਜ਼ਾਈਨ

## Release of new products

- Hinges
- DoorPulls
- Handles
- Article color updates

## New products - Hinges

3-part eurohinge – window doors

### Clampable for euronut profiles 14/18 mm groove

- Inward and outward opening window doors
- Applicable dimension (depended on the used profile)
  - ✓ Vent width : min. 500 mm – max 1400 mm
  - ✓ Vent height : min 1800 mm – max 3000 mm
- Load capacity :
  - ✓ Up to 140 kg with 2 hinges (normal use)
  - ✓ Up to 160 kg with 3 hinges (intensive use)
- Material : extruded aluminium with stainless steel / aluminium clamping plates
  - ✓ Painted and anodised finish

Extend product families



## New products - Hinges

3-part eurohinge – window doors

Extend product families

### *Slim hinge, strong performances*

#### Hinges characteristics

- Dimensions : 160 mm height – knot :  $\varnothing$  12 mm
- Minimum profile gap of 4,5 mm
- Height adjustment on top, 1 per door
- Burglar proof SKG\*\* and SKG\*\*\* (with anti-lift pins)
- Classification key

4	7	6	0	1	5	0	13
---	---	---	---	---	---	---	----

Corrosion class 5 !

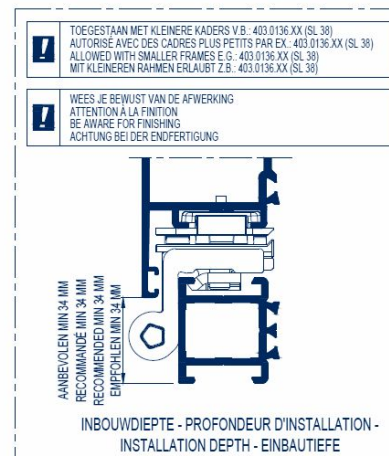
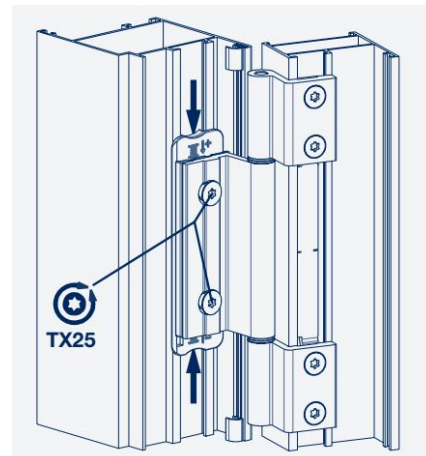
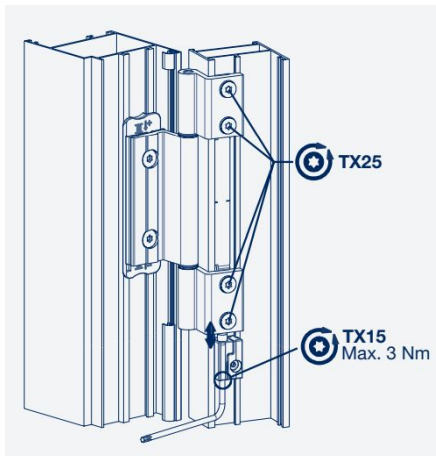
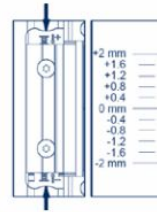


# New products - Hinges

## 3-part eurohinge – window doors

### Hinges characteristics

- Horizontal adjustment
  - +/- 2.0 mm in steps of 0.4 mm
  
- Height adjustment
  - variable of +/- 4.0 mm
  - Only 1 height adjustment per door
  - Using a torx key



## Extend product families

Watch our training movie



### Euro 3Part Hinges

Consult our detailed training videos on your Euro 3Part hinges here.

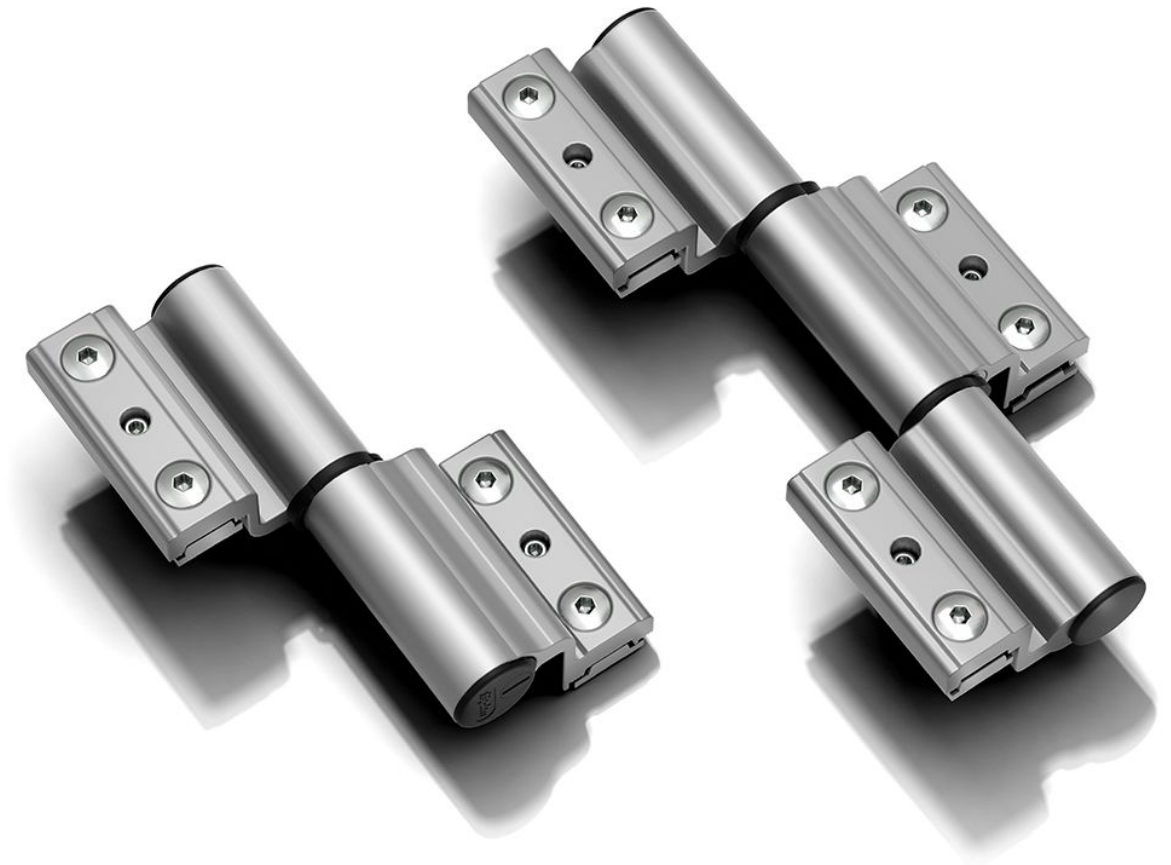
## New products - Hinges

3-part MONZA eurohinge – window doors

Extend product families

### Clampable for euronut profiles 14/18 mm groove

- Inward and outward opening window doors
- Applicable dimension (depended on the used profile)
  - ✓ Vent width : min. 500 mm – max 1400 mm
  - ✓ Vent height : min 1800 mm – max 3000 mm
- Load capacity :
  - ✓ Up to 120 kg with 2 hinges (normal use)
  - ✓ Up to 140 kg with 3 hinges (intensive use)
- Painted and anodised finish





# New products - Hinges

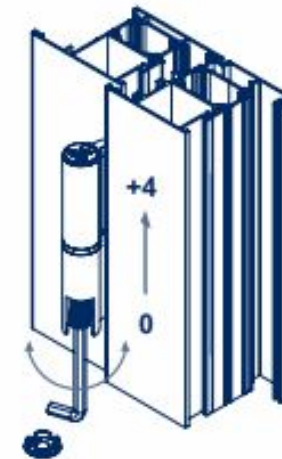
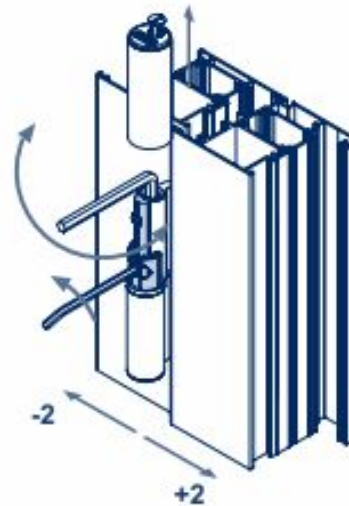
3-part MONZA eurohinge – window doors

Extend product families

## Hinge characteristics

- SKG\*\* and SKG\*\*\*
- Certified for panic doors Reynaers

- Vertical adjustment
  - ✓ +/- 2.0 mm
- Horizontal adjustment
  - ✓ + 4.0 mm in height
  - ✓ Standard position = zero



---

## New products – DoorPulls

DoorPull FIN – doors

### *Product features*

- **One stop shop** principle – order & delivery together with profiles
- Order possible in 2 lengths to cover all door heights
- Painted, anodised and pré-ano finish (coastal area)
- End caps in the same color for a clean look
- Applicable on burglar proof doors

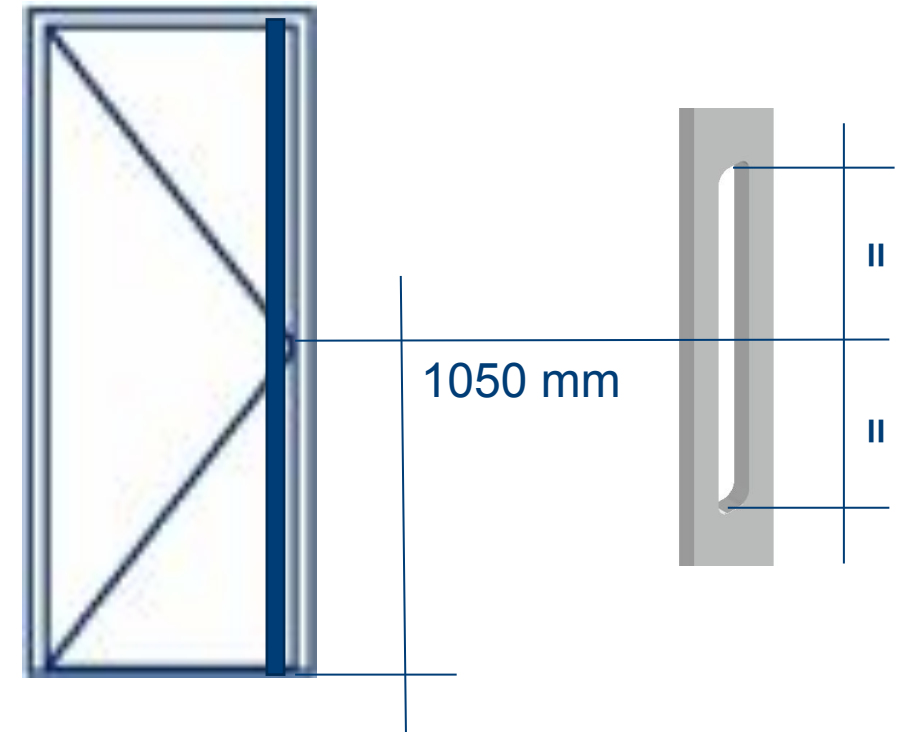
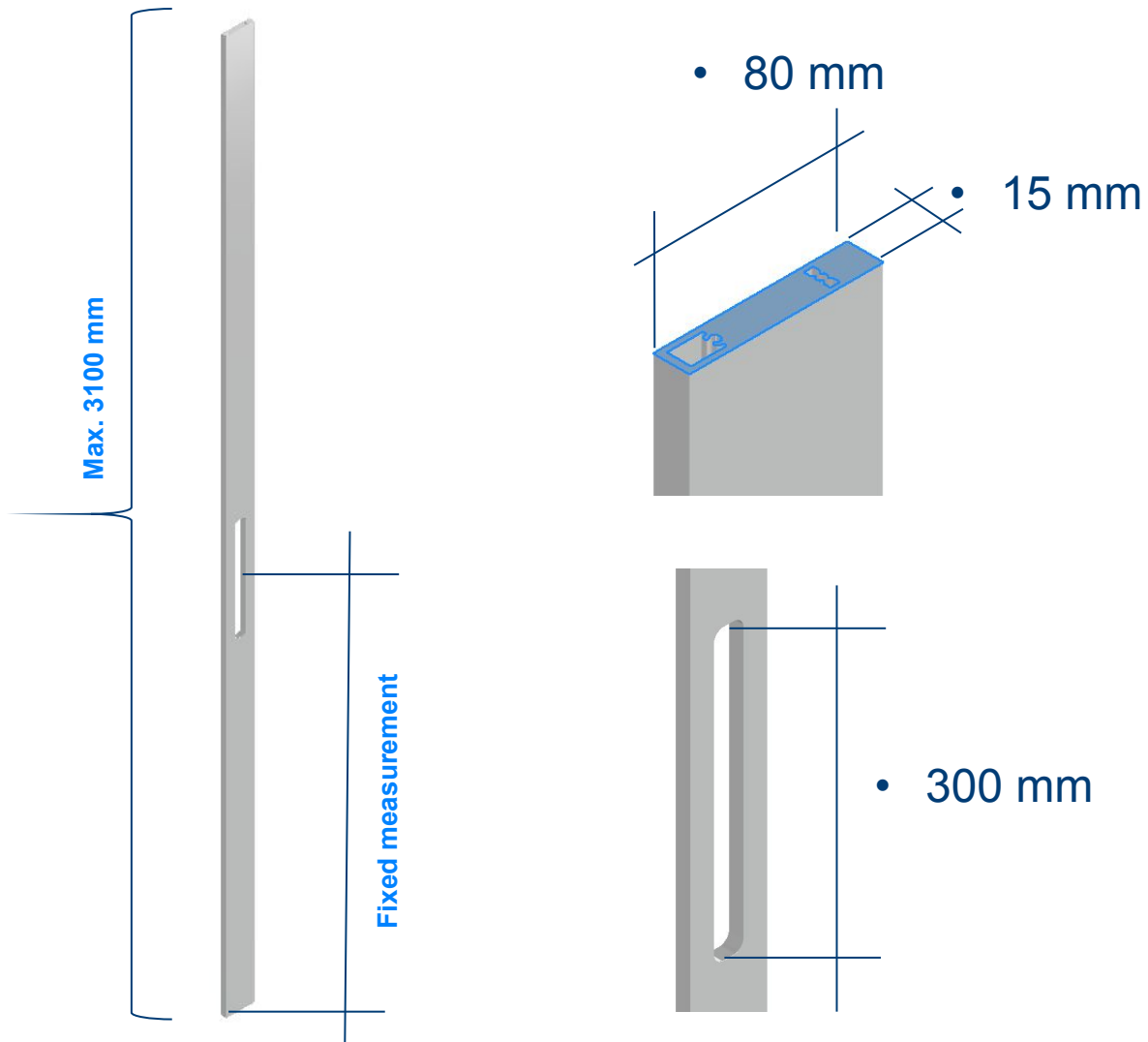


Extend product families

# New products – DoorPulls

DoorPull FIN – doors

Extend product families

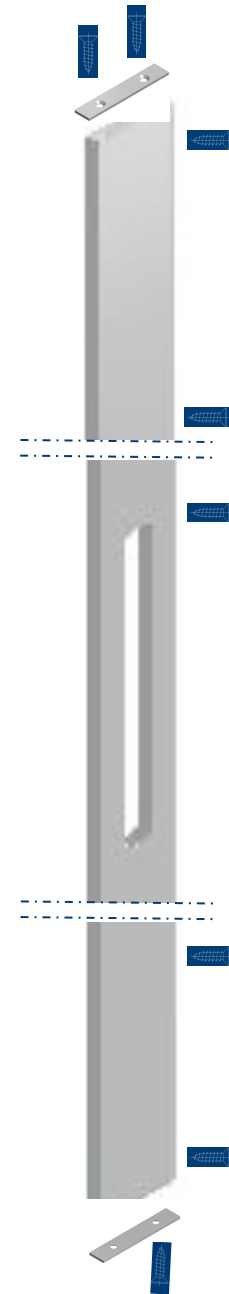
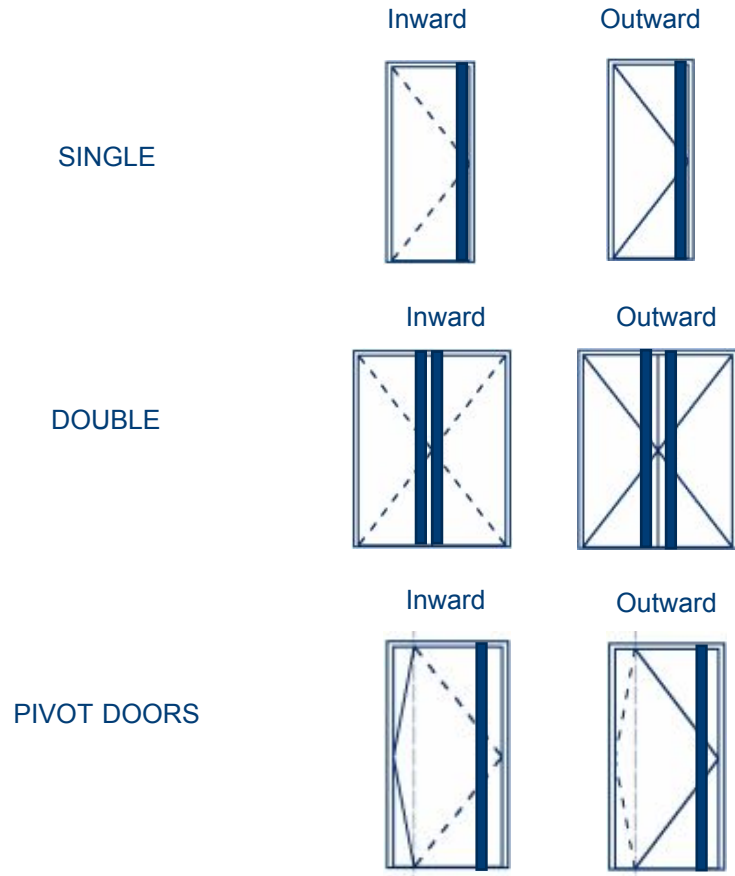


# New products – DoorPulls

## DoorPull FIN – doors

Extend product families

### Compatible opening types



### the components:

- FIN 2500 mm □ 408.7555.XX
- FIN 3100 mm □ 408.7556.XX
- + • END CAPS □ 165.7403.XX
- SCREWS □ 052.5311.--

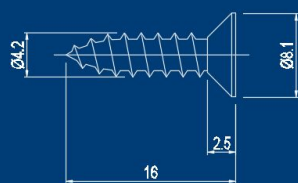
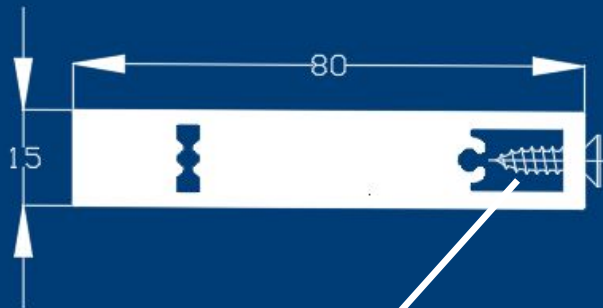
# Information for the fabricator

## Door Pull Fin



### The assembly:

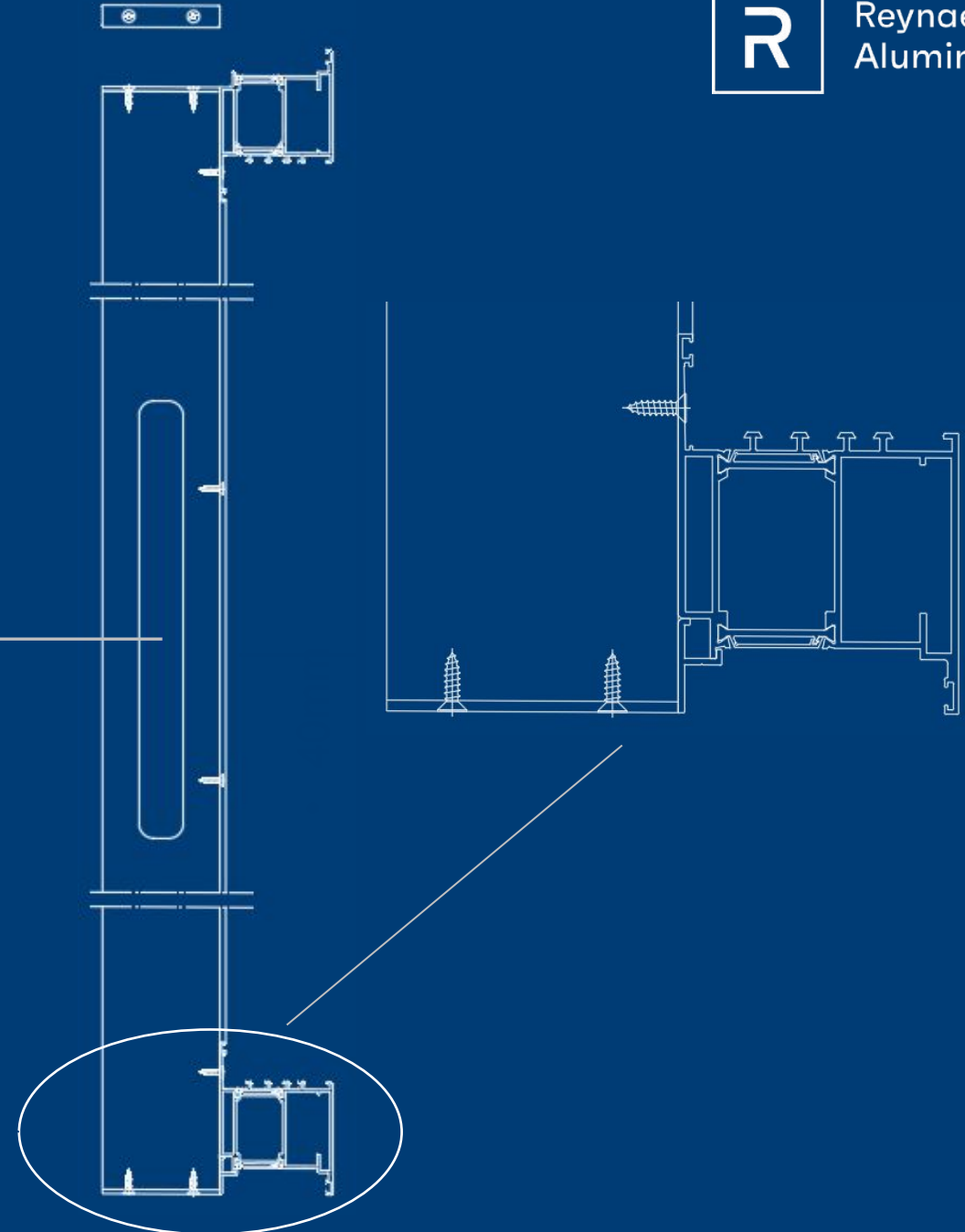
- Always use multiple fixations over the full height of the door leaf
- Glue is optional



Self tapping screw

• 1100 mm

Floor level



# New products – DoorPulls



## DOORPULL FIN

price calculation for P01G – black painted

Competitive price offer

Price advantage compared to competition – 20 %

## DOORPULL SQUARE – Released 2021

Price advantage compared to competition – 30 %



# New products – DoorPulls – Future steps

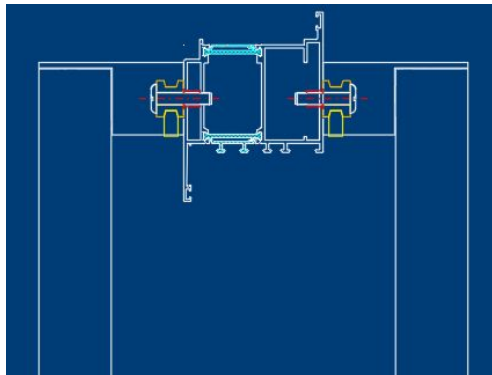


We are curious to hear about your ideas

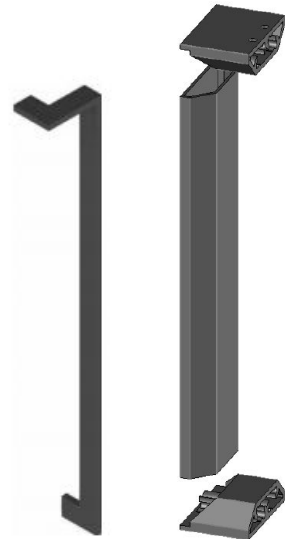
Other material than aluminium?



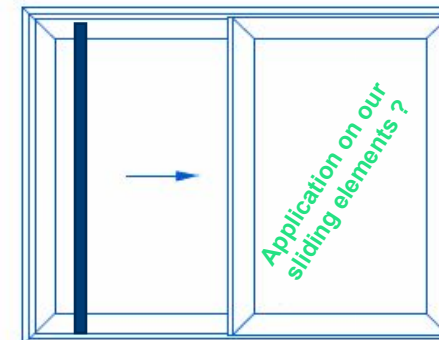
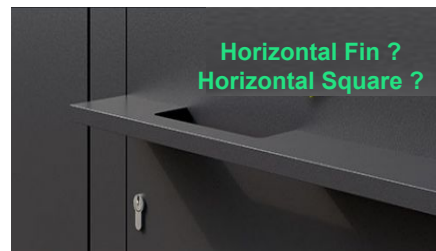
Inside and Outside ?



Extra fixation variants ?



Other shapes ?



---

## New products - Handles

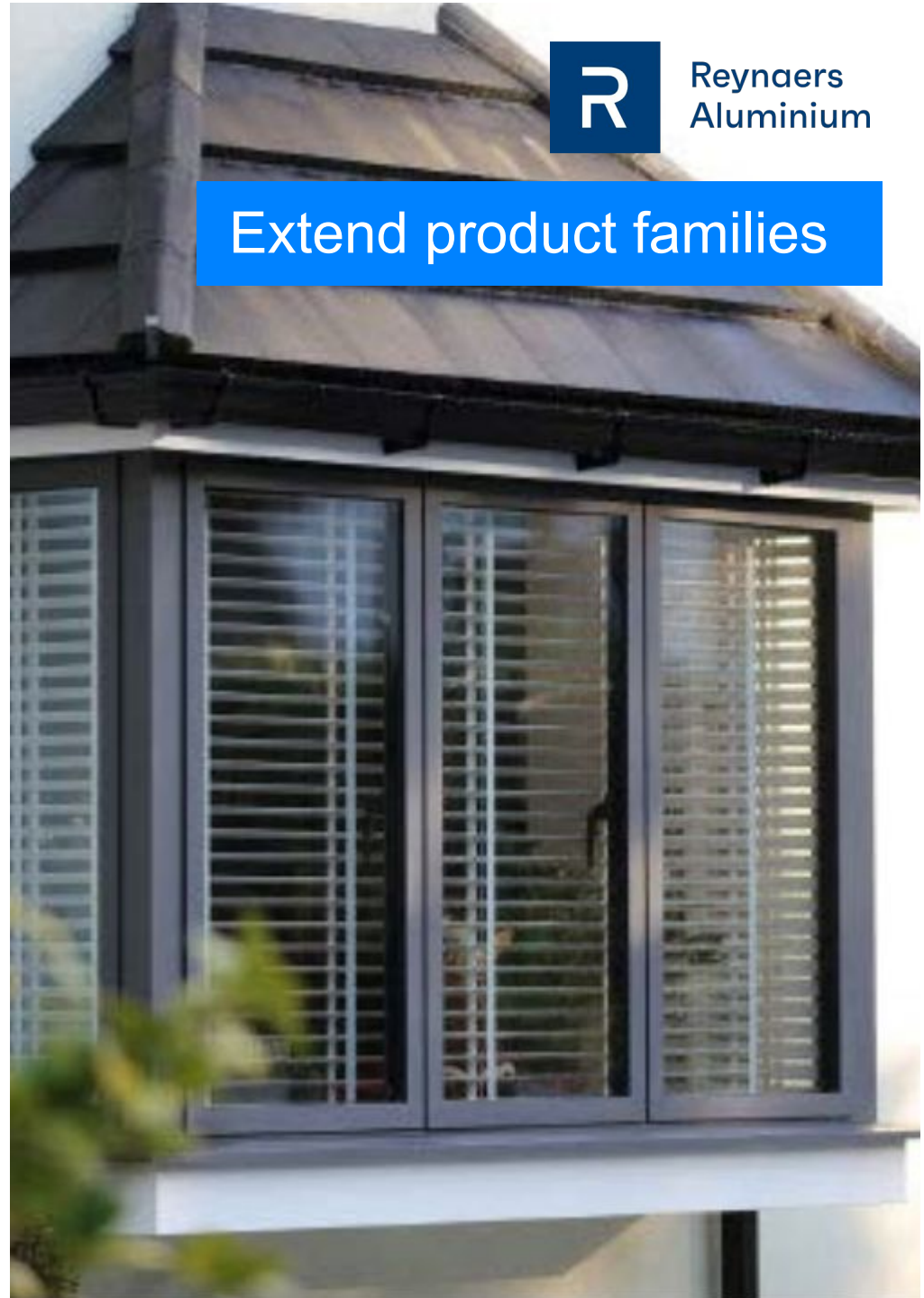
TOUCH handles – windows

### New espag handle variant for SlimLine 68

- Co-development on demand of Reynaers UK
- Outward opening windows



Extend product families





---

## New products - Handles

OLIMPO handles – Lift slide

Extend product families

### New lift slide handles to complete our Olimpo handle range

- Standard long shield handles, with and without cylinder
- Compatible with Siegenia lift slide lock
- Standard application for inside and outside use
- Burglar proof RC2 on the inside / nothing outside
- The same articles can be used for inside and outside
- Profile ranges :
  - ✓ MASTERPATIO
  - ✓ CP 155-LS
  - ✓ CP 130-LS



# Color Update - Doorclosers

Reynaers accessories – doors

Extend product families

## ***BLACK IS THE NEW STANDARD***

### **Geze doorclosers accessories**

On stock for these articles

Doorcloser bodies :

- ✓ TS 2000
- ✓ TS 3000 V (L)
- ✓ TS 4000
- ✓ TS 5000 (L)

Doorcloser accessories :

- ✓ Standard glide rails and hinged top arms
- ✓ T-stop glide rail
- ✓ ISM (L) for double doors
- ✓ Mounting plates



## Color Update – Lift slide handles

### Horizon handles – lift slide

Because of the specific shape of the horizon handles, the production process of color anodization has proven to be difficult and unstable.

In order to provide high quality articles, we agreed with the supplier to only deliver natural anodized lift slide handles.



Reduction in product offer



# Certification update – handles

Handles – burglar proof RC2

Extend product solutions

Market interest in **safety solutions** is continuously growing.

In close collaboration with the notified body WTCB, we can exclusively offer **Touch, Horizon** and **Contour** on our certified RC2 windows, doors or sliding elements.

Ultimately resulting into more design freedom for the architect and end user.

security handle inside /  
security handle outside



security handle inside /  
security fixed knob outside



security handle inside /  
security fixed plate outside



standard handle inside /  
nothing outside



1. **Reynaers Aluminium**
  - **Reynaers**
  - **Reynaers Aluminium**
  - **Reynaers Aluminium**
2. **Reynaers Aluminium**
  - **Reynaers Aluminium**
  - **Reynaers Aluminium**
  - **Reynaers Aluminium**

## Ongoing development & documentation projects

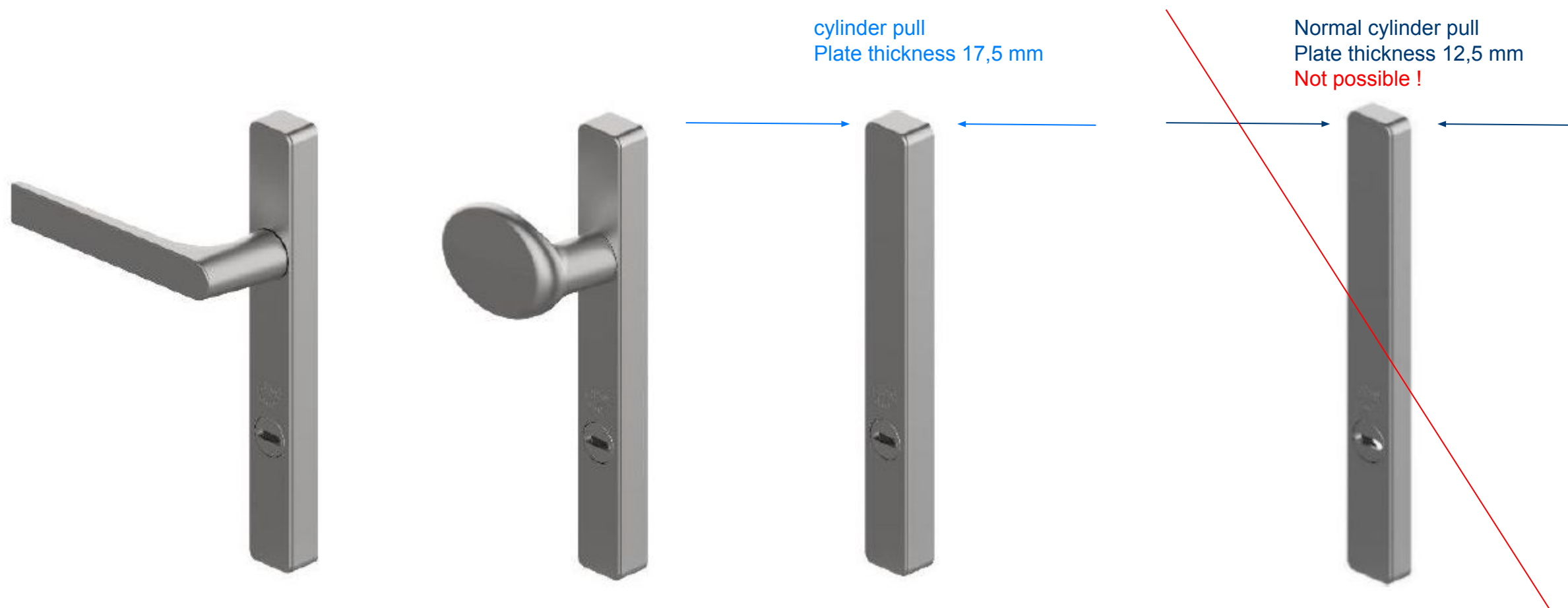
- Touch handles with cylinder pull
  - Touch Handle TiTu
  - Horizon handles
- Thumbturn cylinders
  - UL certification
- Catalogue updates

# Ongoing developments - Handles

TOUCH security handles – Doors RC2 / SKG\*\*

4	7	-	0	0	5	2	A
---	---	---	---	---	---	---	---

Extend product families



# Ongoing developments - Handles

## TOUCH security handles - Doors

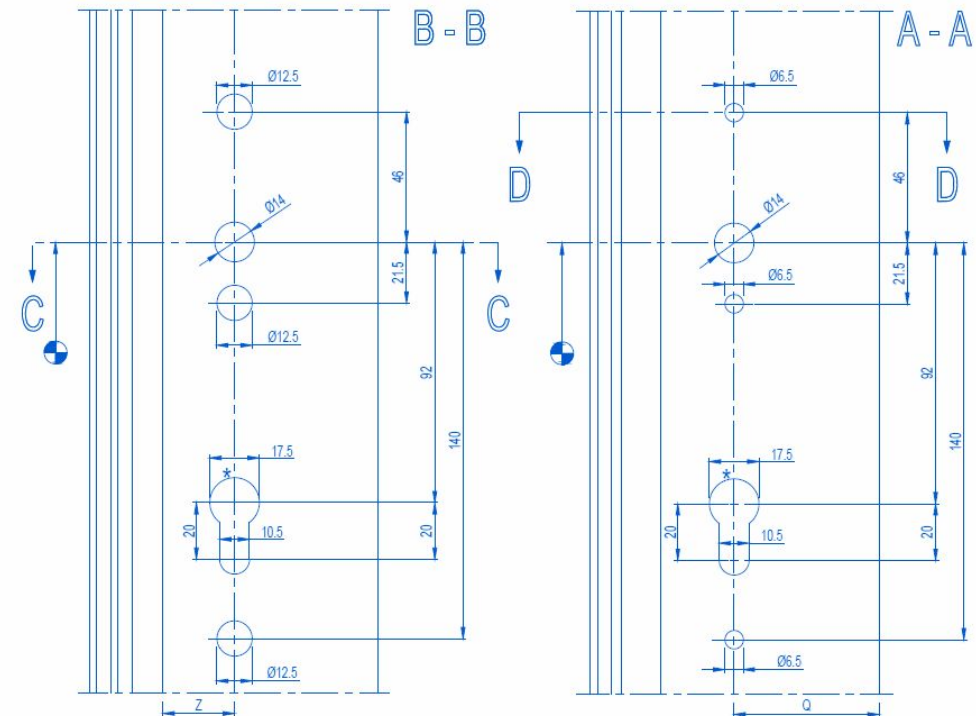
New security handle variants to extend our burglar proof solutions

- Compatible with Fuhr Locks
- Certified RC2 EN1627
- RC2 with cylinders pull protection handle + SKG\*\* cylinder



- Certified profile ranges :
  - ✓ Masterline 8
  - ✓ Masterline 10
  - ✓ Slimline 38
  - ✓ CS 77
  - ✓ ES 50
  - ✓ CS 59
  - ✓ CS 59Pa

Extend product families

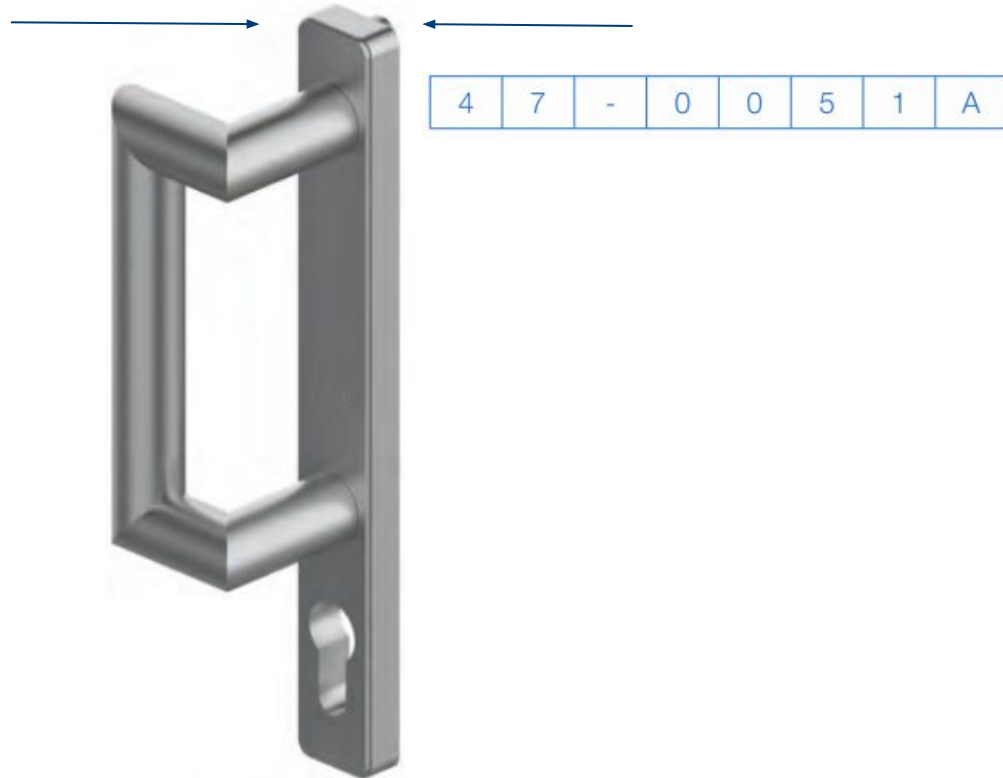


# Ongoing developments - Handles

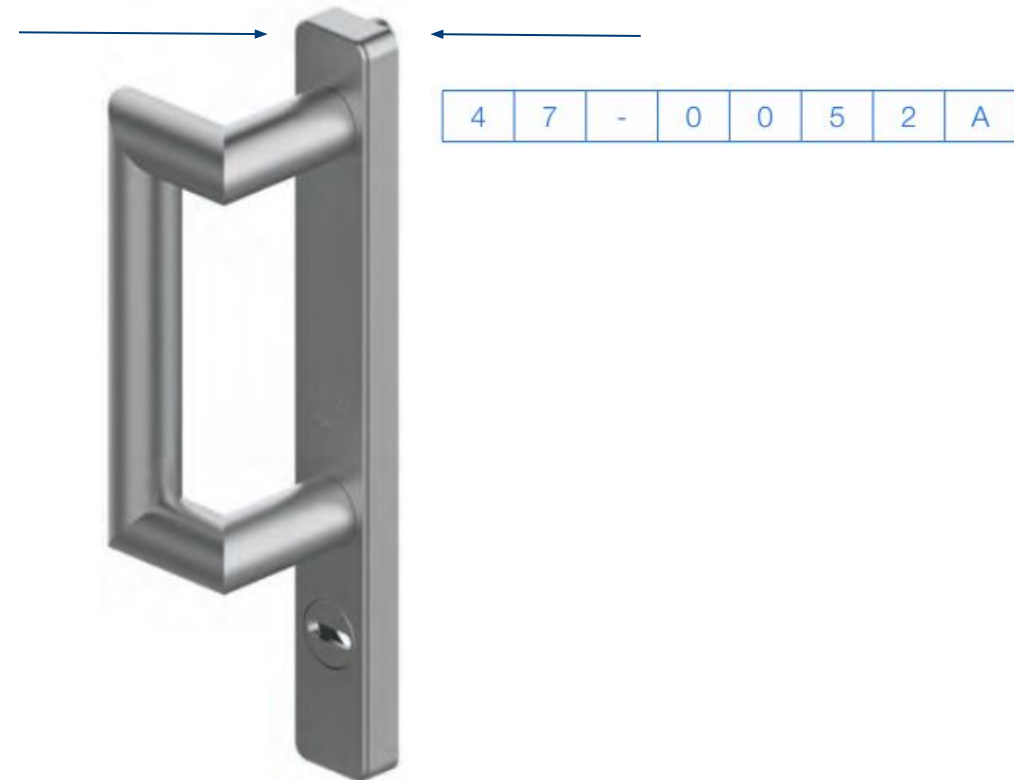
TOUCH security handles – Sliding doors

Extend product families

Safety Handle SKG\*\* /  
RC2  
Plate thickness 12 mm



Normal cylinder pull SKG\*\* / RC2  
Plate thickness 12,5 mm





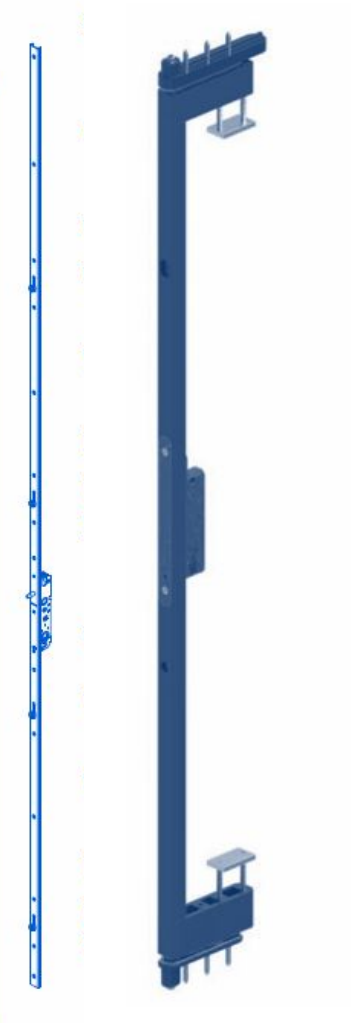
## New products - Handles

TOUCH handles – Sliding doors

New security handle variants to extend our burglar proof solutions

- Compatible with cylinder operated locks BT- Lock and KFV
- Certified RC2 EN1627
- RC2 with cylinders pull protection handle + SKG\*\* cylinder
- RC2 with safety handle SKG\*\* + SKG\*\*\* cylinder
- Certified profile ranges :
  - ✓ CP 155
  - ✓ CP 130

Extend product families



# New products - Handles

## TOUCH handles – Windows

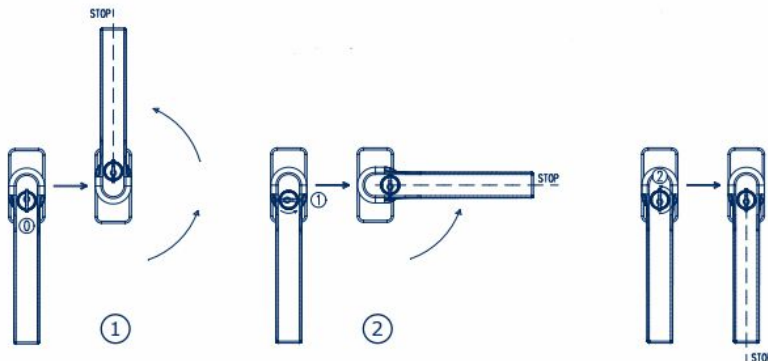
Extend product families

Additional window handle for Tilt before turn to complete our burglar proof solutions

- Certified RC2 EN1627 (35Nm)
- Product certification SKG\*\*

Category of use	Durability	Mass	Fire resistance	Safety	Corrosion resistance	Security	Application part	Test sizes
1	5/180	-	0	1	4	1/2	3/C1	-

- Only suitable to use on Tilt before turn window

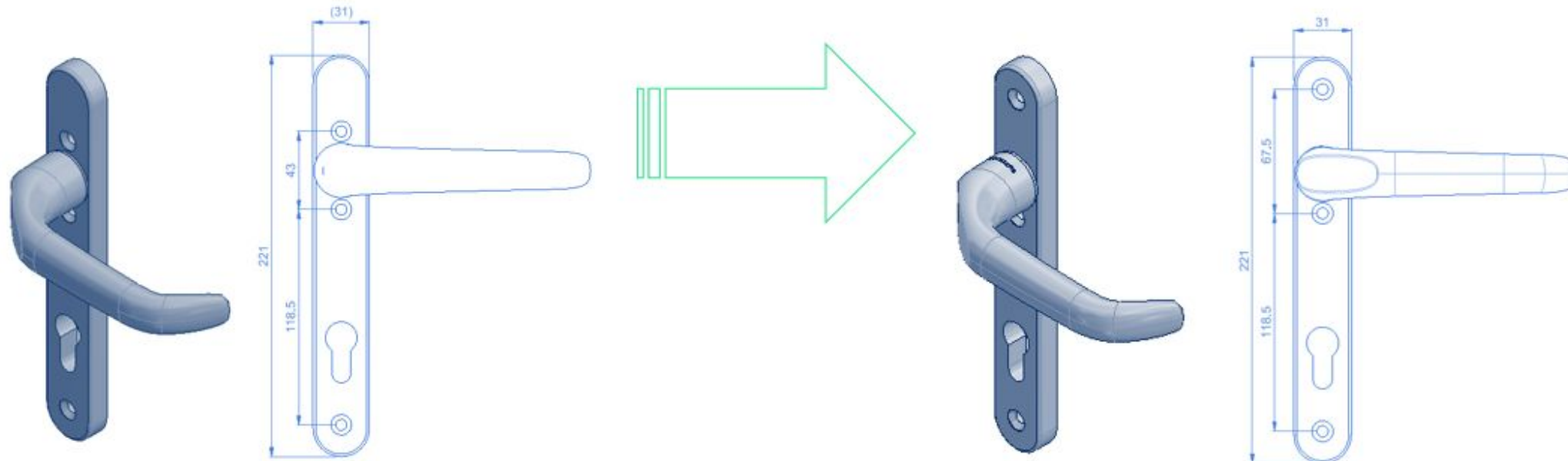


# Cancel - Replace products - Handles

## Horizon handles – Panic doors

Optimize product families

To optimize combined safety solutions such as **RC2 + Panic**, we have improved the face plate to make it possible to use a more stable fixation with 3 x M6 screws going thru the profile.



### CANCEL

061.8733.XX  
061.8734.XX  
061.8735.XX  
061.8736.XX  
061.8737.XX

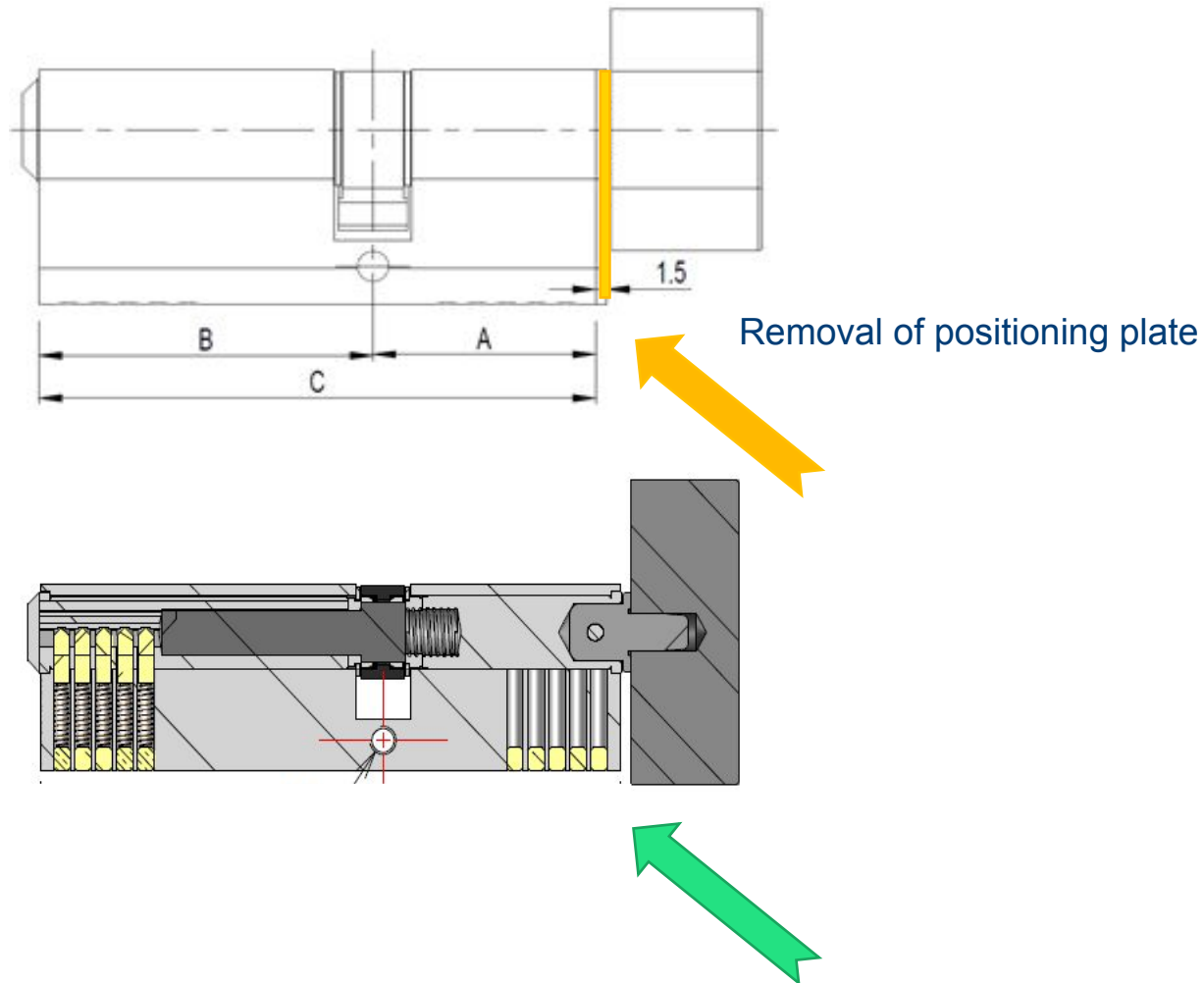
### NEW

161.8733.XX  
161.8734.XX  
161.8735.XX  
161.8736.XX  
161.8737.XX

# Cancel - Replace products – cylinders

Thumbturn cylinders – Reynaers Accessories

Optimize product families



Change also applies for BT- lock cylinders

# Product certification – UL certified

Panic Hardware – doors

New certification

## UL305 & CAN-ULC-S132

Certification for panic doors with Fuhr locks 833P & future 835P

- Panic function B & function E

### Certified system solution :

**Profile system** : Masterline 8 – single and double panic doors ( partly panic not included )

**Pushbar** : EPN 950 and EPN 900VI

**Panic handle outside** : Shield and Horizon

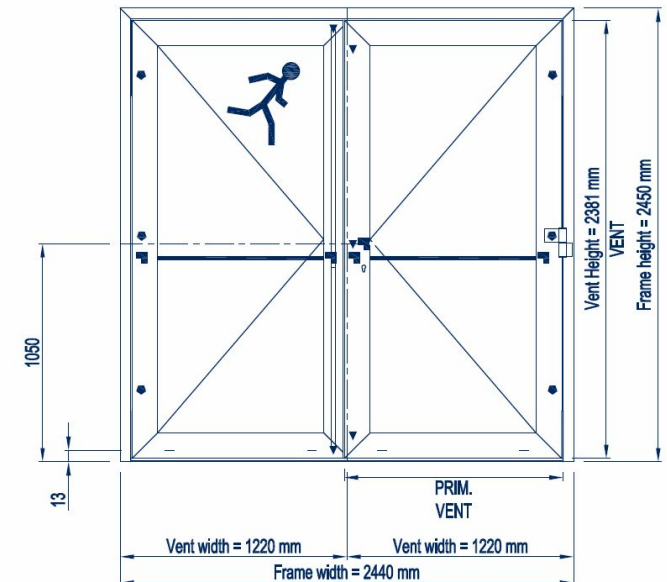
**Hinges** : Rollenband

**Locks & receivers** : 833P and 835P with short receivers and continuous receivers

**Additional hardware :**

**Geze doorclosers**

**Doorpulls outside ( function E )**



# Documentation – Catalogue updates

Hardware & accessories – windows and doors

## Documentation



Cat. nr. **15E**  
Art. nr. **PP\_AD.089.E15I.00 (v01)**  
Edition **06/2022**



Cat. nr. **15L**  
Art. nr. **PP\_AD.089.L15B.00 (v04)**  
Edition **06/2022**

### Opening windows

- ✓ Erreti Chapter 22 / 23 / 24 included
- ✓ Update Siegenia pages Chapters 3 - 12
  - Update Fapim pages □ WK 26 2022

### Opening Doors F2

- ✓ DoorPull Fin – Reynaers – Chapter 25
- ✓ Euro hinge – Sobinco – Chapter 34
- ✓ Monza 3-part hinge – Fapim – Chapter 35
- ✓ Door closers – Geze – Chapter 37

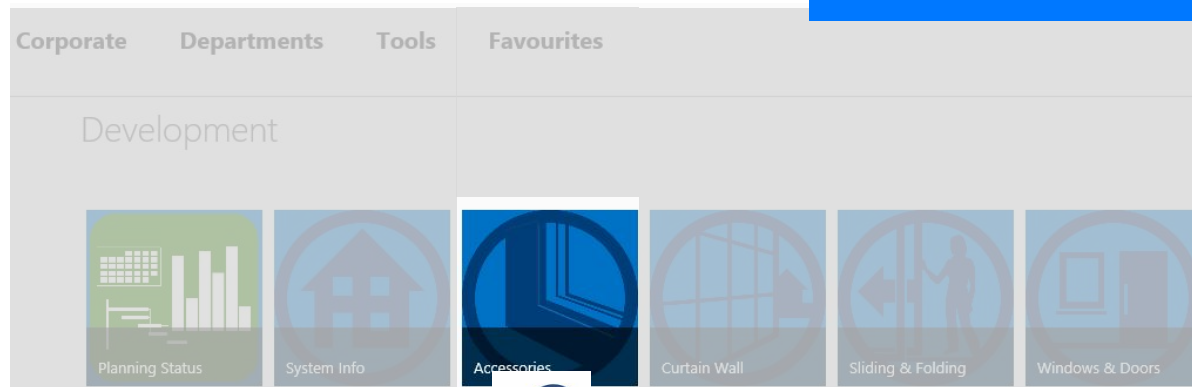
# Documentation – fabricator brochure updates

Hardware & accessories – windows

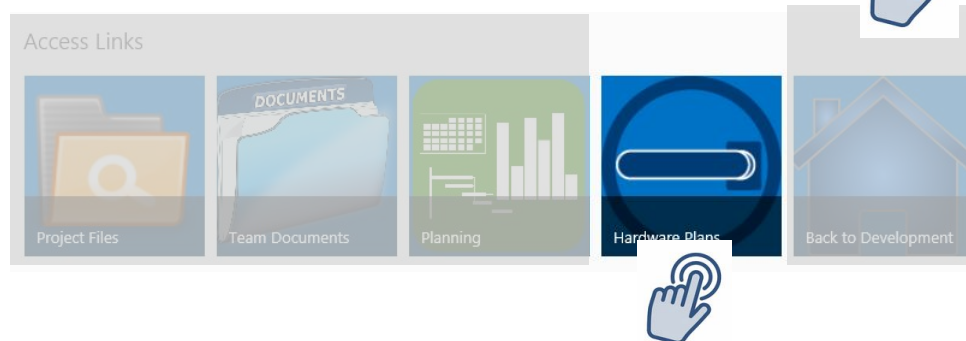
## Documentation

We have updated our intranet platform location

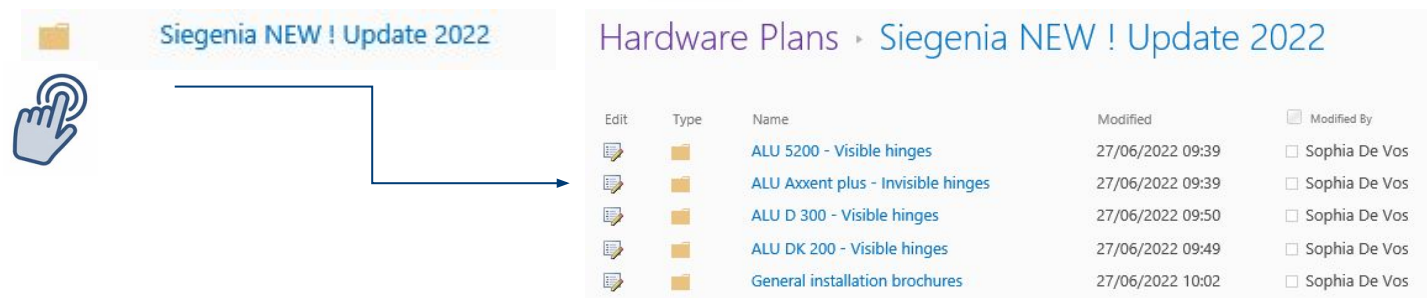
Reynaers intranet -> Departments -> Development ->



Accessories -> Hardware Plans



Siegenia NEW ! Update 2022



The screenshot shows a folder named 'Siegenia NEW ! Update 2022' containing a list of hardware plans. A hand cursor points to the folder icon. An arrow points from the folder to the list of files.

Edit	Type	Name	Modified	Modified By
		ALU 5200 - Visible hinges	27/06/2022 09:39	<input type="checkbox"/> Sophia De Vos
		ALU Axxent plus - Invisible hinges	27/06/2022 09:39	<input type="checkbox"/> Sophia De Vos
		ALU D 300 - Visible hinges	27/06/2022 09:50	<input type="checkbox"/> Sophia De Vos
		ALU DK 200 - Visible hinges	27/06/2022 09:49	<input type="checkbox"/> Sophia De Vos
		General installation brochures	27/06/2022 10:02	<input type="checkbox"/> Sophia De Vos

# Documentation – fabricator brochure updates

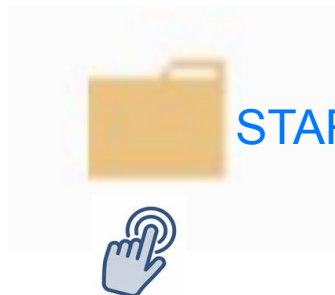
## Hardware & accessories – windows

Our colleagues of the Marketing & Communication department are working very hard on the new website.

Unfortunately this means that new information currently cannot be added to the customer portal.

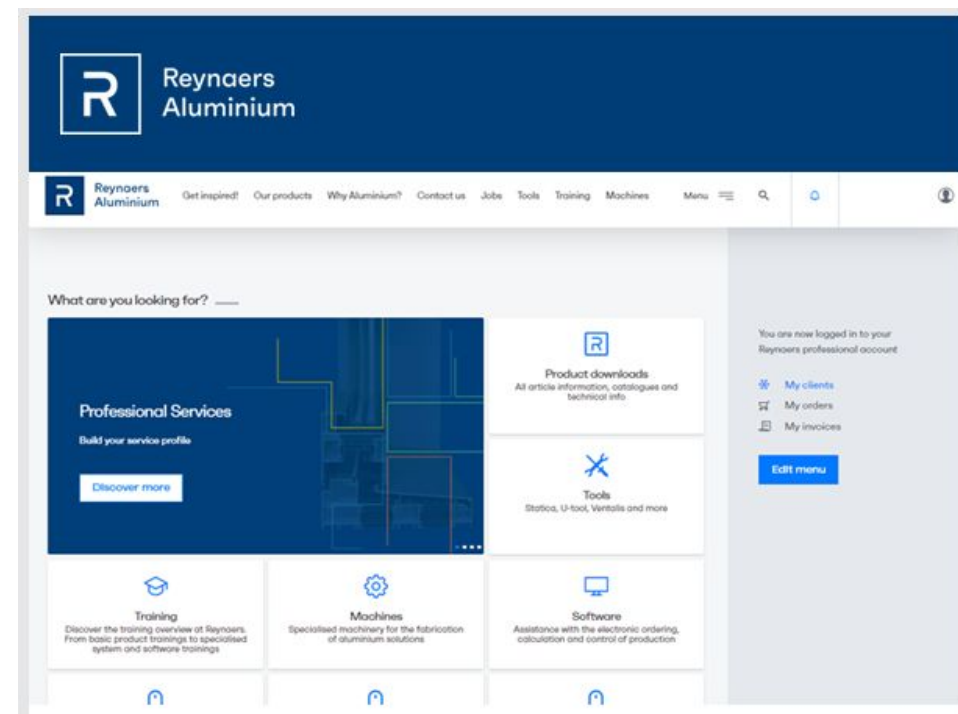
In the meanwhile you can download the full folder with new hardware plans via a Wetransfer link.

Don't hesitate to download the folder and inform your customers / fabricators.



START DOWNLOAD [ZIP](#)

## Documentation





1. **Commercialisation**
  - Initiatives
  - Internationalisation
  - Regional growth
  - Client care & services
2. **Internationalisation**
  - Regional centres
  - Hardware commercialisation
  - Services
  - Article overview with updates

- Portfolio maintenance
- Proposal to cancel

---

# Proposal to cancel

Hardware & accessories – article maintenance

Proposal to cancel

Through targeted article follow-up we regularly make product analyses and try to optimize stock management.

As a result we propose a list of **cancel candidates**.

Please evaluate carefully and respond before the 8<sup>th</sup> of July if you foresee problems for your market.

We will review your comments and take contact to discuss when necessary.

Start google form by clicking on the link on the release page.



- 1. **Aluminium**
  - **Alloys**
  - **Aluminium extrusion**
    - **Extrusion**
    - **Aluminium casting**
  - **Aluminium surface treatments**
- 2. **Aluminium design**
  - **Typical sections**
  - **Hardware components**
  - **Accessories**
  - **Article overview with details**

- Article overview
  - **New articles**

---

# Article overview - NEW

## EURO HINGE - SOBINCO

065.6552.XX	DOOR HINGE 3-PART CLAMPABLE 14-18
065.6553.--	HEIGHT ADJUSTMENT 14-18
065.6557.--	ANTI-LIFT PIN SKG**
065.6558.--	ANTI-LIFT PIN SKG***
061.8757.--	RECEIVER ANTI-LIFT PIN

## 3-PART MONZA EURO HINGE - FAPIM

065.6547.XX	DOOR HINGE 3-PART CLAMPABLE
-------------	-----------------------------

## DOORPULL FIN - REYNAERS

408.7555.XX	PULL HANDLE 2500MM
408.7556.XX	PULL HANLDE 3100MM
165.7403.XX	COVER PLATE
052.53.11.--	SCREW

## OLIMPO L&S HANDLES

062.6651.PA	LIFT AND SLIDE HANDLE WITHOUT CYLINDER
062.6652.PA	LIFT AND SLIDE HANDLE WITH CYLINDER

---

# Article overview – Color changes

GEZE DOOR CLOSERS & ACCESSORIES	
065.7440.35	DOOR CLOSER BODY TS 2000 V
065.7441.35	DOOR CLOSER BODY TS 4000
065.7442.35	DOOR CLOSER BODY TS 3000 V
065.7443.35	DOOR CLOSER BODY TS 5000
065.7444.35	DOOR CLOSER BODY TS 5000 L
065.7450.35	LINK ARM TS 2000 V / TS 4000
065.7451.35	LINK ARM HOLD OPEN TS 2000 V / TS 4000
065.7452.35	GUIDE RAIL TS 3000 V / TS 5000
065.7453.35	GUIDE RAIL TS 3000 V L / TS 5000 L
065.7454.35	ISM GUIDE RAIL TS 3000 ISM / TS 5000 ISM
065.7455.35	ISM GUIDE RAIL TS 3000 L ISM / TS 5000 L ISM
065.7460.35	MOUNTING PLATE
065.7461.35	MOUNTING PLATE
065.7470.35	T-STOP GUIDE RAIL TS 3000 / TS 5000
065.7471.35	T-STOP GUIDE RAIL TS 3000 L / TS 5000 L
065.7582.35	MOUNTING PLATE
065.7588.35	MOUNTING PLATE

HORIZON L&S HANDLES	
062.7694.XX	LIFT&SLIDE HANDLE WITH CYLINDER INSIDE
062.7695.XX	LIFT&SLIDE HANDLE WITH CYLINDER OUTSIDE
062.7696.XX	LIFT&SLIDE HANDLE WITHOUT CYLINDER INSIDE
062.7697.XX	LIFT&SLIDE HANDLE WITHOUT CYLINDER OUTSIDE

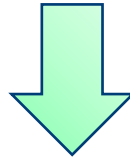
# Article overview – INDEX on existing articles

CYLINDER REF	CYLINDER REF - KEYED ALIKE	A	B	C	INFO
161.7020.XX	-	30	10	40	HALF CYLINDER
161.7028.XX	-	35	10	45	HALF CYLINDER
161.7033.XX	-	40	10	50	HALF CYLINDER
161.7036.XX	-	45	10	55	HALF CYLINDER
161.7038.XX	-	50	10	60	HALF CYLINDER
161.7048.XX	-	70	10	80	HALF CYLINDER
161.7040.XX	-	75	10	85	HALF CYLINDER
161.7021.XX	161.7121.XX	30	45	75	
161.7022.XX	161.7122.XX	30	50	80	
161.7023.XX	161.7123.XX	30	55	85	
161.7043.XX	161.7143.XX	30	60	90	
161.7044.XX	161.7144.XX	30	65	95	
161.7045.XX	161.7145.XX	30	75	105	
161.7027.XX	161.7127.XX	30	80	110	
161.7029.XX	161.7129.XX	35	30	65	
161.7030.XX	161.7130.XX	35	50	85	
161.7031.XX	161.7131.XX	35	55	90	
161.7032.XX	161.7132.XX	35	65	100	
161.7034.XX	161.7134.XX	40	40	80	
161.7035.XX	161.7135.XX	40	55	95	
161.7037.XX	161.7137.XX	45	40	85	
161.7039.XX	161.7139.XX	50	50	100	
161.7049.XX	161.7149.XX	70	30	100	
161.7041.XX	161.7141.XX	75	30	105	
161.7042.XX	161.7142.XX	75	35	110	

---

# Article overview – Cancel - Replace

<b>HORIZON PANIC HANDLES - CANCEL</b>	
061.8733.XX	PANIC HANDLE WITH CYLINDER INSIDE
061.8734.XX	PANIC HANDLE WITHOUT CYLINDER INSIDE
061.8735.XX	PANIC HANDLE WITH CYLINDER OUTSIDE
061.8736.XX	PANIC HANDLE WITHOUT CYLINDER OUTSIDE
061.8737.XX	PANIC HANDLE SECOND VENT



<b>HORIZON PANIC HANDLES - REPLACE</b>	
161.8733.XX	PANIC HANDLE WITH CYLINDER INSIDE
161.8734.XX	PANIC HANDLE WITHOUT CYLINDER INSIDE
161.8735.XX	PANIC HANDLE WITH CYLINDER OUTSIDE
161.8736.XX	PANIC HANDLE WITHOUT CYLINDER OUTSIDE
161.8737.XX	PANIC HANDLE SECOND VENT



Reynaers  
Aluminium

**Together  
for better**