

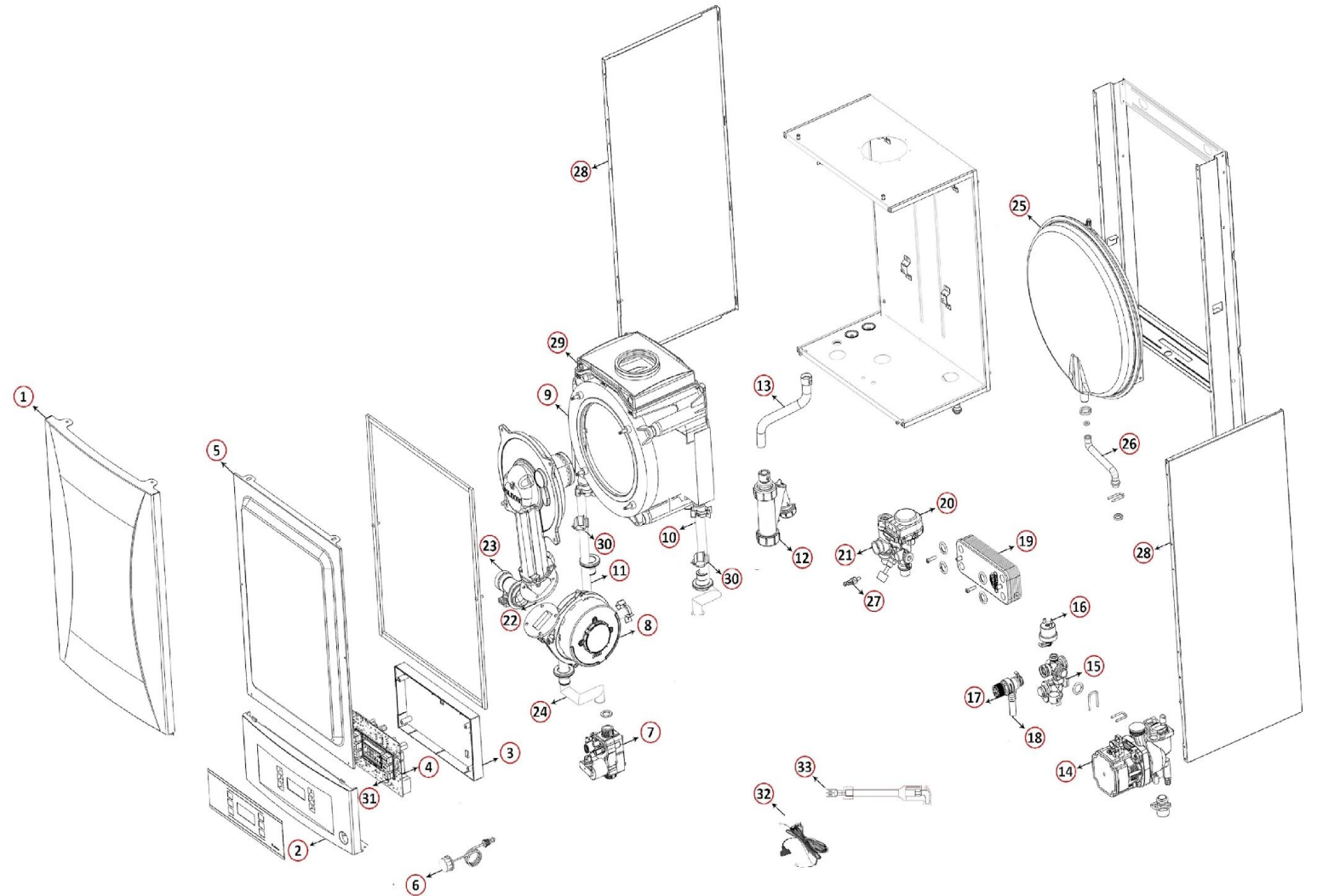
NO	PRODUCT CODE	PRODUCT NAME: SIRIUS 24 KW CONDENSING ERP
1	TMX-YP404104	FRONT PANEL
2	SRS-YP201001	SIRIUS FRONT COVER
3	SRS-YP201007	SIRIUS BACK COVER
4	SRS-YP601003	MAIN BOARD, SIRIUS
5	TMX-YP115001	COMBUSTION CHAMBER COVER
6	TMX-YP605001	PRESSURE GAUGE
7	SRS-YP705201	SIRIUS GAS VALVE 24 KW
8	TMX-YP503101	CONDENSING FAN (Modulating)
9	TMX-YP501101	MAIN HEAT EXCHANGER 24 KW
10	TMX-YP704101	EXCHANGER RETURN PIPE
11	SRS-YP704102	EXCHANGER FLOW PIPE 24 KW
12	TMX-YP304011	SIPHON KIT
13	TMX-YP304013	SIPHON HOSE
14	TMX-YP504003	PUMP 24 kW - 28 kW Wilo
15	SRS-YP703201	WATER INLET ASSEMBLY
16	TMX-YP401001	LOW PRESSURE SWITCH
17	TMX-YP703302	SAFETY VALVE 3 BAR
18	TMX-YP303003	3 BAR SAFETY BAR OUTLET TUBE
19	TMX-YP702002	PLATE HEAT EXCHANGER 24kW
20	TMX-YP403001	ELBI MOTOR VALVE
21	TMX-YP703101	3-WAY VALVE ASSEMBLY
22	TMX-YP303008	FAN SEAL
23	TMX-YP503201	VENTURI FOR FAN, 24 KW
24	TMX-YP704103	GAS VALVE PIPE 24 KW
25	TMX-YP701001	EXPANSION VESSEL 8 LT
26	TMX-YP304009	EXPANSION VESSEL, FLEXI
27	TMX-YP602003	NTC SENSOR, IMMERSED TYPE
28	TMX-YP404103	SIDE PANEL 24 KW
29	TMX-YP602005	SAFETY LIMIT THERMOSTAT
30	SRS-YP602006	SURFACE TYPE NTC SENSOR HONEYWELL
31	SRS-YP601103	SILICON KEY BOARD
32	SRS-YP604300	CABLE ASSEMBLY
33	TMX-YP604101	IGNITION CABLE



PRODUCT CODE: 113 / PRODUCT CODE: 8682353290004

PRODUCT NAME: THERMEX SIRIUS ErP PM 24

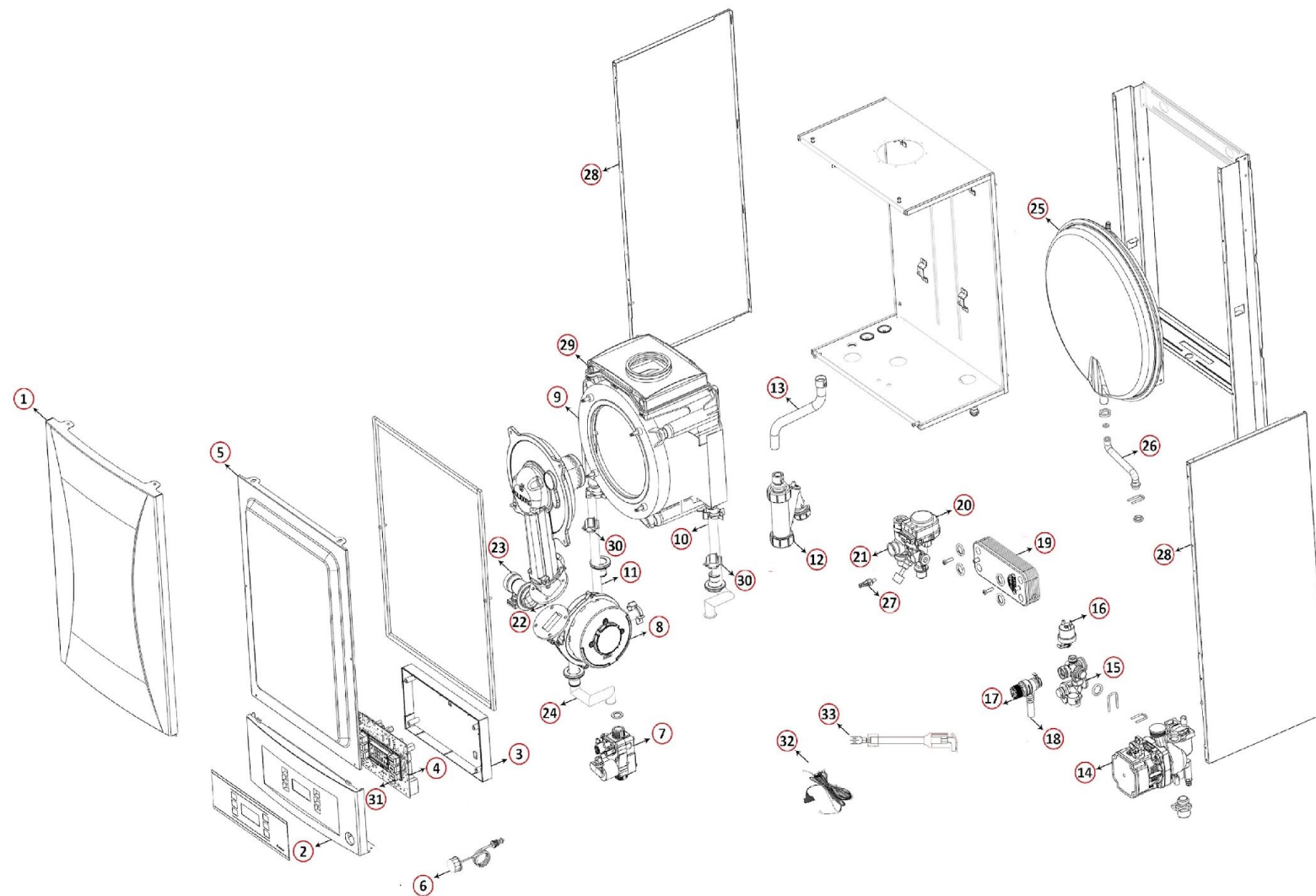
DATE: 01.12.2019 – REV. 0001



NO	PRODUCT CODE	PRODUCT NAME: SIRIUS 28 KW CONDENSING, ERP
1	TMX-YP404104	FRONT PANEL
2	SRS-YP201001	SIRIUS FRONT COVER
3	SRS-YP201007	SIRIUS BACK COVER
4	SRS-YP601003	MAIN BOARD, SIRIUS
5	TMX-YP115001	COMBUSTION CHAMBER COVER
6	TMX-YP605001	PRESSURE GAUGE
7	SRS-YP705202	SIRIUS GAS VALVE 28KW
8	TMX-YP503101	CONDENSING FAN (Modulating)
9	TMX-YP501102	MAIN HEAT EXCHANGER 28 KW
10	TMX-YP704101	EXCHANGER RETURN PIPE
11	SRS-YP704104	EXCHANGER FLOW PIPE 28 KW
12	TMX-YP304011	SIPHON KIT
13	TMX-YP304013	SIPHON HOSE
14	TMX-YP504003	PUMP 24 kW - 28 kW Wilo
15	SRS-YP703201	WATER INLET ASSEMBLY
16	TMX-YP401001	LOW PRESSURE SWITCH
17	TMX-YP703302	SAFETY VALVE 3 BAR
18	TMX-YP303003	3 BAR SAFETY BAR OUTLET TUBE
19	TMX-YP702003	PLATE HEAT EXCHANGER 28 KW
20	TMX-YP403001	ELBI MOTOR VALVE
21	TMX-YP703101	3-WAY VALVE ASSEMBLY
22	TMX-YP303008	FAN SEAL
23	TMX-YP503202	VENTURI FOR FAN 28 KW
24	TMX-YP704105	GAS VALVE PIPE 28 KW
25	TMX-YP701001	EXPANSION VESSEL 8 LT
26	TMX-YP304009	EXPANSION VESSEL, FLEXI
27	TMX-YP602003	NTC SENSOR, IMMERSDED TYPE
28	TMX-YP404102	SIDE PANEL 28-35 KW
29	TMX-YP602005	SAFETY LIMIT THERMOSTAT
30	SRS-YP602006	SURFACE TYPE NTC SENSOR HONEYWELL
31	SRS-YP601103	SILICON KEY BOARD
32	SRS-YP604300	CABLE ASSEMBLY
33	TMX-YP604101	IGNITION CABLE



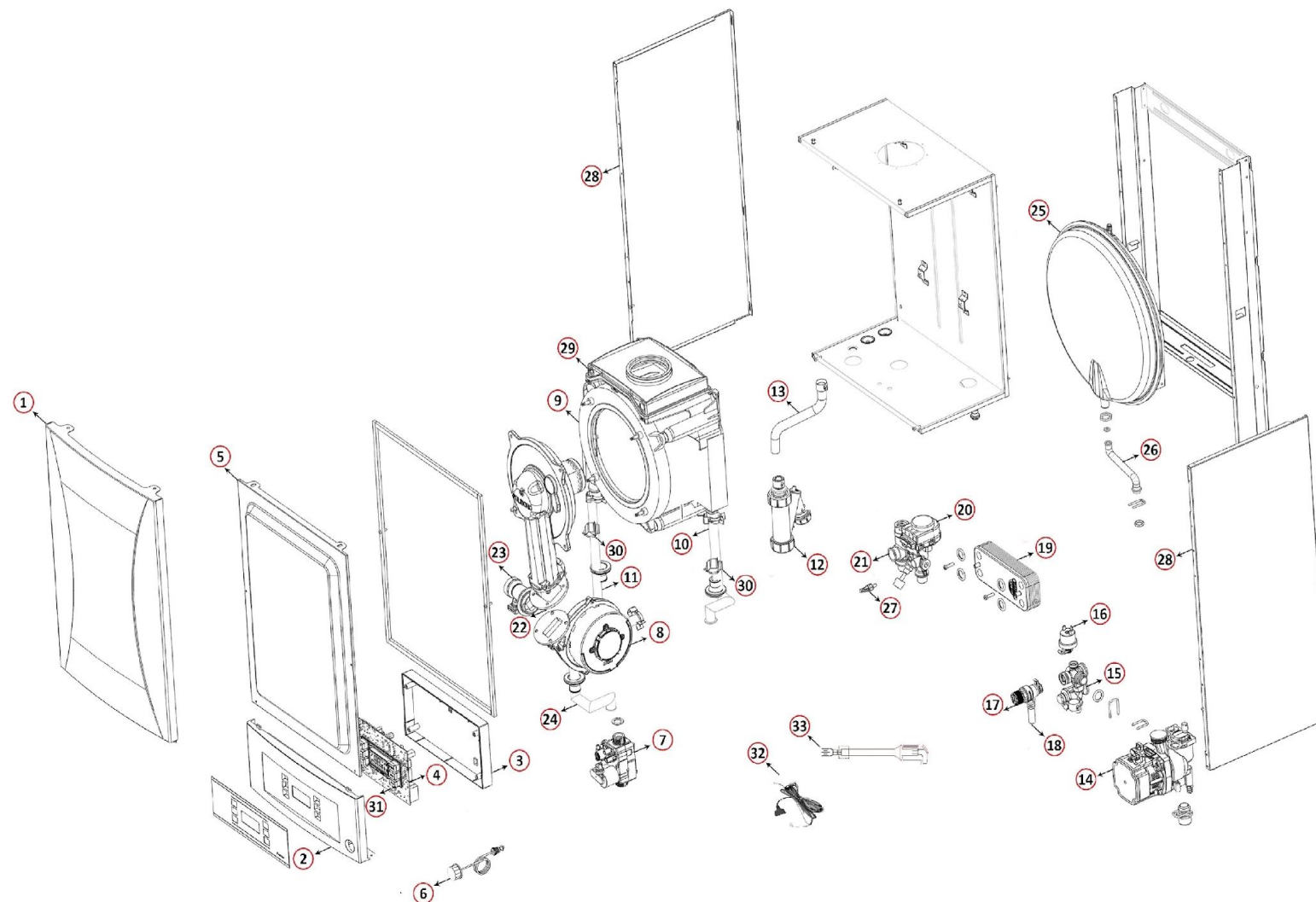
PRODUCT CODE: 213 / PRODUCT CODE: 8682353290011
 PRODUCT NAME: THERMEX SIRIUS ErP PM 28
 DATE: 01.12.2019 – REV. 0001



NO	PRODUCT CODE	PRODUCT NAME: SIRIUS 35 KW CONDENSING, ERP
1	TMX-YP404104	FRONT PANEL
2	SRS-YP201001	SIRIUS FRONT COVER
3	SRS-YP201007	SIRIUS BACK COVER
4	SRS-YP601003	MAIN BOARD, SIRIUS
5	TMX-YP115001	COMBUSTION CHAMBER COVER
6	TMX-YP605001	PRESSURE GAUGE
7	SRS-YP705203S	SIRIUS GAS VALVE 35KW
8	TMX-YP503101	CONDENSING FAN (Modulating)
9	TMX-YP501103	MAIN HEAT EXCHANGER 35 KW
10	TMX-YP704101	EXCHANGER RETURN PIPE
11	SRS-YP704106	EXCHANGER FLOW PIPE 35 KW
12	TMX-YP304011	SIPHON KIT
13	TMX-YP304013	SIPHON HOSE
14	TMX-YP504004	PUMP 35 kW Wilo
15	SRS-YP703201	WATER INLET ASSEMBLY
16	TMX-YP401001	LOW PRESSURE SWITCH
17	TMX-YP703302	SAFETY VALVE 3 BAR
18	TMX-YP303003	3 BAR SAFETY BAR OUTLET TUBE
19	TMX-YP702004	PLATE HEAT EXCHANGER 35 kW
20	TMX-YP403001	ELBI MOTOR VALVE
21	TMX-YP703101	3-WAY VALVE ASSEMBLY
22	TMX-YP303008	FAN SEAL
23	TMX-YP503203	VENTURI FOR FAN 35 KW
24	TMX-YP704107	GAS VALVE PIPE 35 KW
25	TMX-YP701001	EXPANSION VESSEL 8 LT
26	TMX-YP304009	EXPANSION VESSEL, FLEXI
27	TMX-YP602003	NTC SENSOR, IMMERSED TYPE
28	TMX-YP404102	SIDE PANEL 28-35 KW
29	TMX-YP602005	SAFETY LIMIT THERMOSTAT (105C)
30	SRS-YP602006	SURFACE TYPE NTC SENSOR HONEYWELL
31	SRS-YP601103	SILICON KEY BOARD
32	SRS-YP604300	CABLE ASSEMBLY
33	TMX-YP604101	IGNITION CABLE



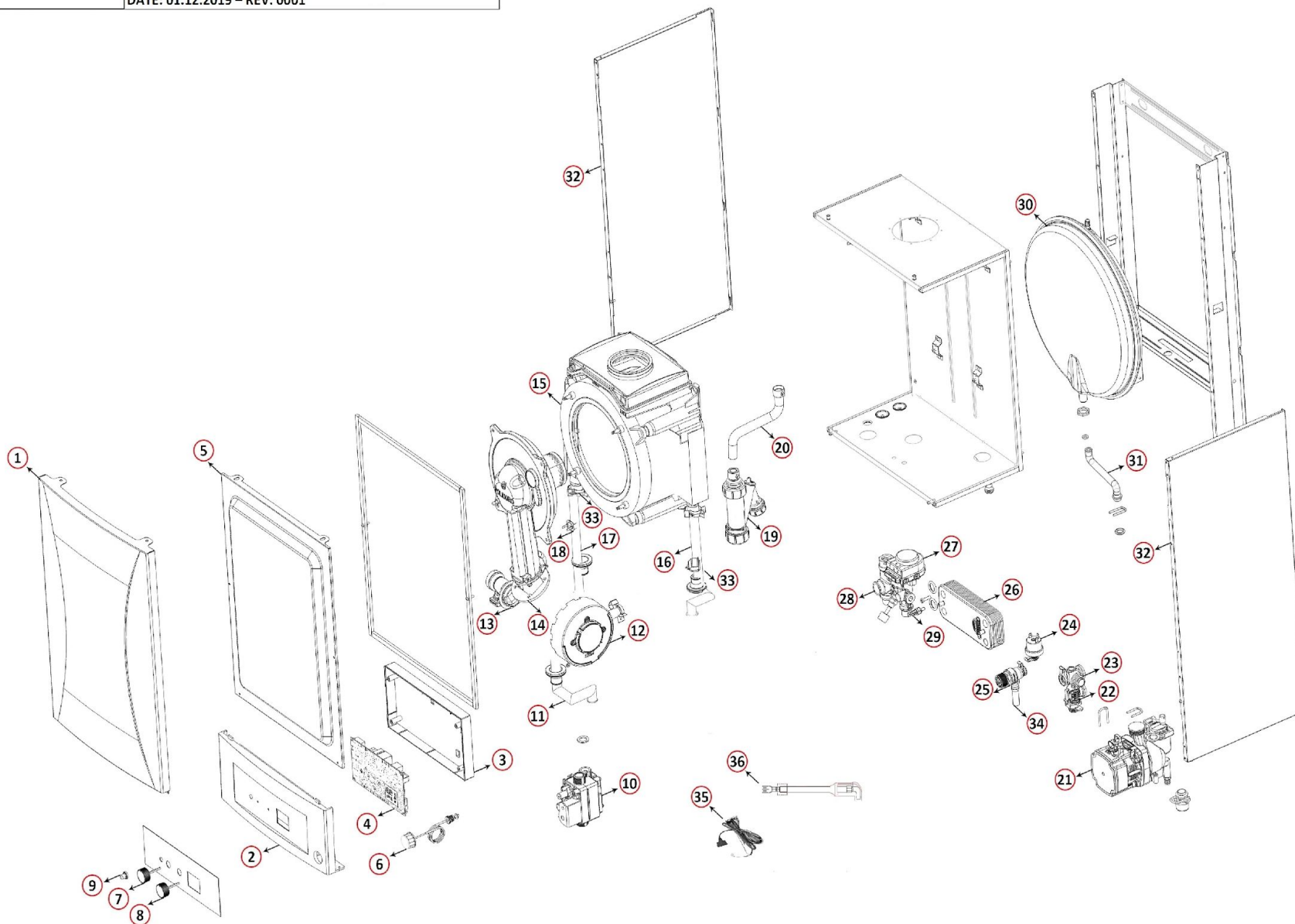
PRODUCT CODE: 313 / PRODUCT CODE: 8682353290028
 PRODUCT NAME: THERMEX SIRIUS ErP PM 35
 DATE: 01.12.2019 – REV. 0001



NO	PRODUCT CODE	PRODUCT NAME: RIGEL 24 KW CONDENSING, ERP
1	TMX-YP404104	FRONT PANEL
2	RGL-YP201006	RIGEL FRONT PANEL
3	RGL-YP201008	RIGEL BACK COVER
4	RGL-YP601004	MAIN BOARD, RIGEL
5	TMX-YP115001	COMBUSTION CHAMBER COVER
6	TMX-YP605001	PRESSURE GAUGE
7	TMX-YP201012	CH TEMP. ADJUSTMENT BUTTON
8	RGL-YP201009	DHW. TEMP. ADJUSTMENT BUTTON
9	RGL-YP601102	RESET BUTTON
10	RGL-YP705201R	RIGEL GAS VALVE 24KW
11	TMX-YP704103	GAS VALVE PIPE 24 KW
12	TMX-YP503101	CONDENSING FAN (Modulating)
13	TMX-YP503201	VENTURI FOR FAN, 24 KW
14	TMX-YP303008	FAN SEAL
15	TMX-YP501101	MAIN HEAT EXCHANGER 24 KW
16	TMX-YP704101	EXCHANGER RETURN PIPE
17	RGL-YP704108	RIGEL EXCHANGER FLOW PIPE 24 KW
18	TMX-YP602101	SAFETY LIMIT THERMOSTAT
19	TMX-YP304011	SIPHON KIT
20	TMX-YP304013	SIPHON HOSE
21	TMX-YP504003	PUMP 24 kW - 28 kW Wilo
22	RGL-YP703203	WATER FLOW SWITCH
23	RGL-YP703202	WATER INLET ASSEMBLY
24	TMX-YP401001	LOW PRESSURE SWITCH
25	TMX-YP703302	SAFETY VALVE 3 BAR
26	TMX-YP702002	PLATE HEAT EXCHANGER 24kW
27	TMX-YP403001	ELBI MOTOR VALVE
28	TMX-YP703101	3-WAY VALVE ASSEMBLY
29	TMX-YP602003	NTC SENSOR, IMMERSED TYPE
30	TMX-YP701001	EXPANSION VESSEL 8 LT
31	TMX-YP304009	EXPANSION VESSEL, FLEXI
32	TMX-YP404103	SIDE PANEL 24 KW
33	RGL-YP602004	SURFACE TYPE NTC SENSOR
34	TMX-YP303003	3 BAR SAFETY BAR OUTLET TUBE
35	RGL-YP604400	RIGEL CABLE ASSEMBLY
36	TMX-YP604101	IGNITION CABLE



PRODUCT CODE: 114 / PRODUCT CODE: 8682353290110
 PRODUCT NAME: THERMEX RIGEL ErP PM 24
 DATE: 01.12.2019 – REV. 0001

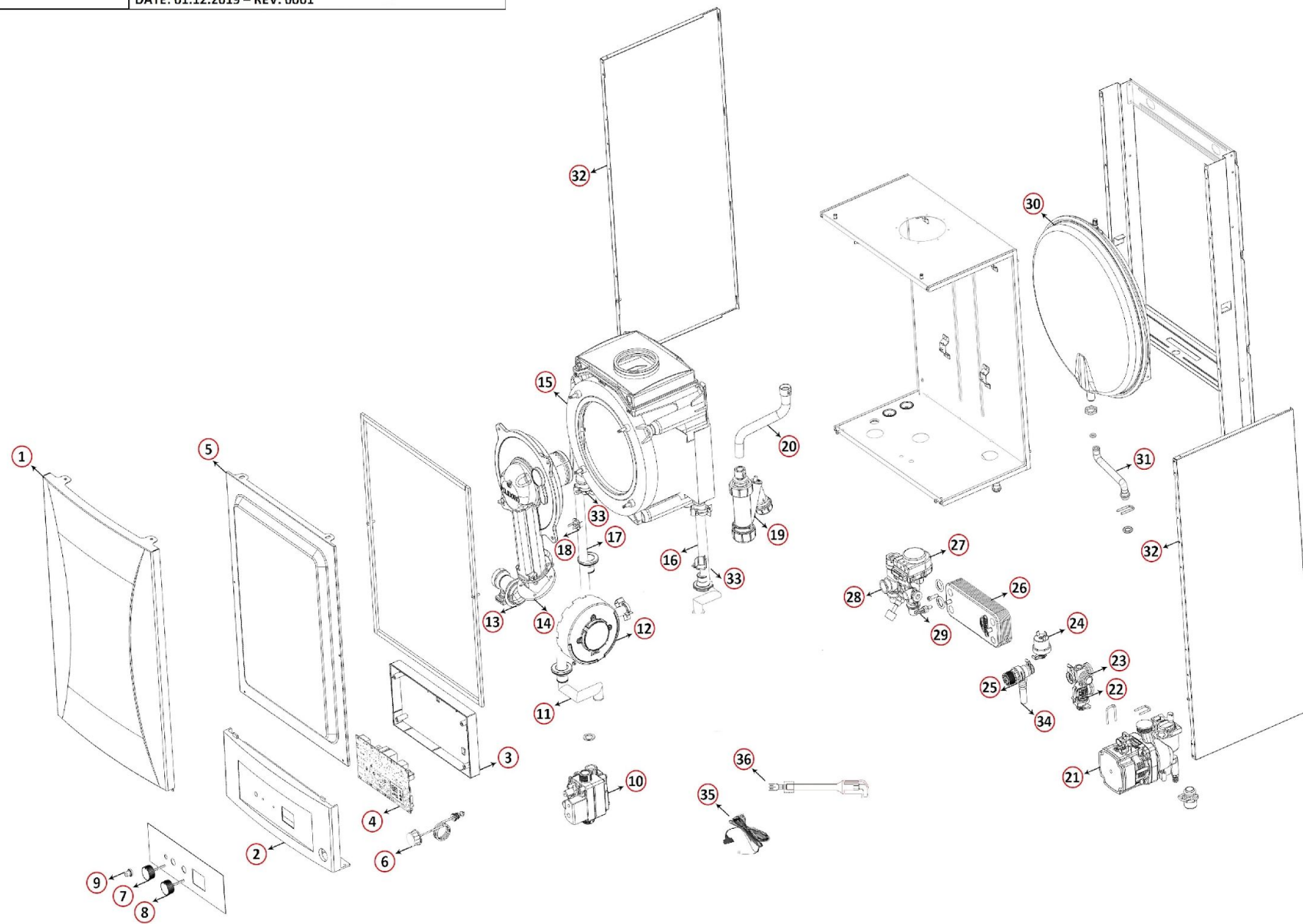


NO PRODUCT CODE PRODUCT NAME: RIGEL 28 KW CONDENSING ERP

1	TMX-YP404104	FRONT PANEL
2	RGL-YP201006	RIGEL FRONT PANEL
3	RGL-YP201008	RIGEL BACK COVER
4	RGL-YP601004	MAIN BOARD, RIGEL
5	TMX-YP115001	COMBUSTION CHAMBER COVER
6	TMX-YP605001	PRESSURE GAUGE
7	TMX-YP201012	CH TEMP. ADJUSTMENT BUTTON
8	RGL-YP201009	DHW. TEMP. ADJUSTMENT BUTTON
9	RGL-YP601102	RESET BUTTON
10	RGL-YP705202R	RIGEL GAS VALVE 28KW
11	TMX-YP704105	GAS VALVE PIPE 28 KW
12	TMX-YP503101	CONDENSING FAN (Modulating)
13	TMX-YP503202	VENTURI FOR FAN 28 KW
14	TMX-YP303008	FAN SEAL
15	TMX-YP501102	MAIN HEAT EXCHANGER 28 KW
16	TMX-YP704101	EXCHANGER RETURN PIPE
17	RGL-YP704109	RIGEL EXCHANGER FLOW PIPE28 KW
18	TMX-YP602101	SAFETY LIMIT THERMOSTAT
19	TMX-YP304011	SIPHON KIT
20	TMX-YP304013	SIPHON HOSE
21	TMX-YP504003	PUMP 24 kW - 28 kW Wilo
22	RGL-YP703203	WATER FLOW SWITCH
23	RGL-YP703202	WATER INLET ASSEMBLY
24	TMX-YP401001	LOW PRESSURE SWITCH
25	TMX-YP703302	SAFETY VALVE 3 BAR
26	TMX-YP702003	PLATE HEAT EXCHANGER 28 KW
27	TMX-YP403001	ELBI MOTOR VALVE
28	TMX-YP703101	3-WAY VALVE ASSEMBLY
29	TMX-YP602003	NTC SENSOR, IMMERSED TYPE
30	TMX-YP701001	EXPANSION VESSEL 8 LT
31	TMX-YP304009	EXPANSION VESSEL, FLEXI
32	TMX-YP404102	SIDE PANEL 28-35 KW
33	RGL-YP602004	SURFACE TYPE NTC SENSOR
34	TMX-YP303003	3 BAR SAFETY BAR OUTLET TUBE
35	RGL-YP604400	RIGEL CABLE ASSEMBLY
36	TMX-YP604101	IGNITION CABLE



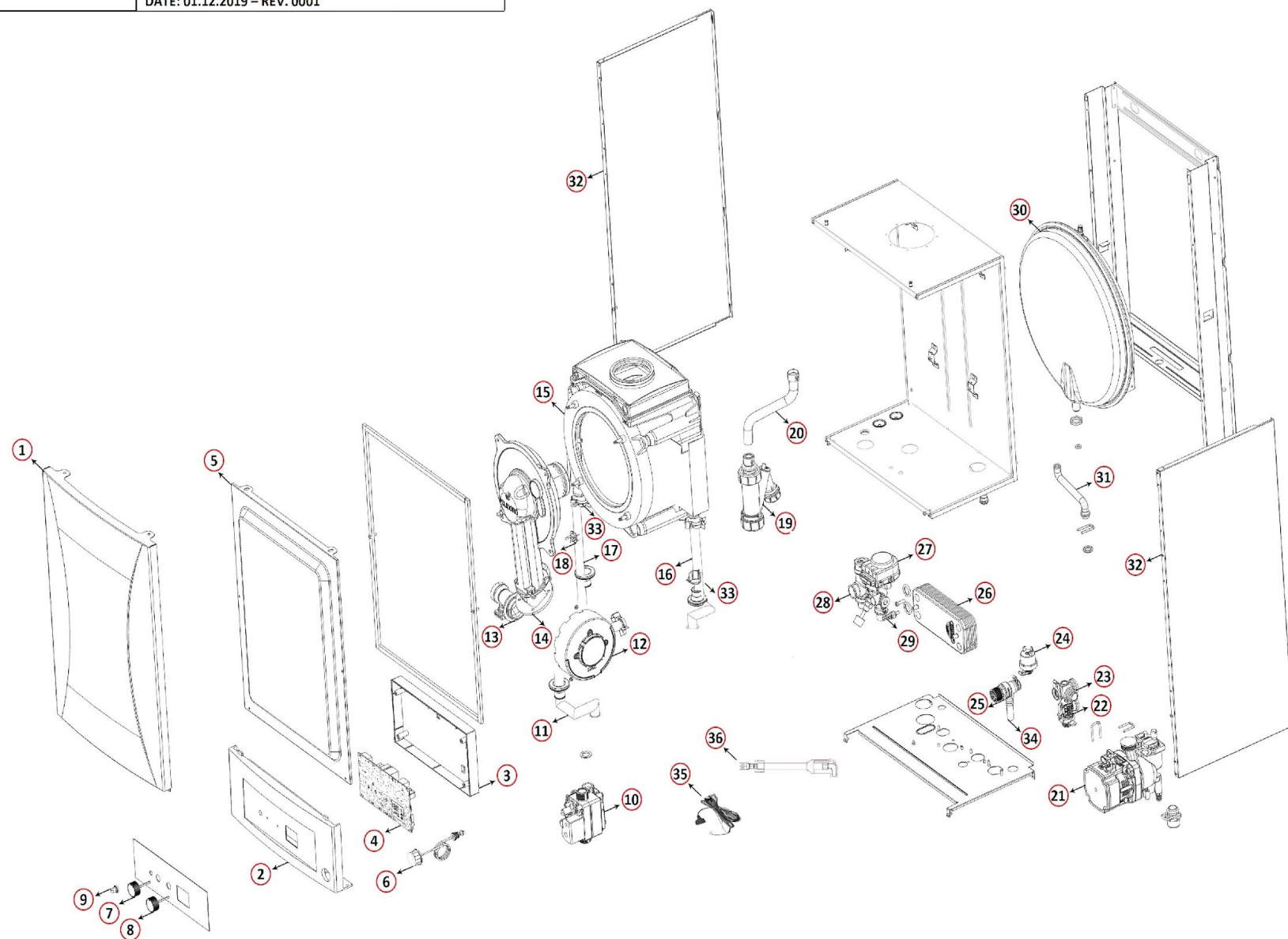
PRODUCT CODE: 214 / PRODUCT CODE: 8682353290127
 PRODUCT NAME: THERMEX RIGEL ErP PM 28
 DATE: 01.12.2019 – REV. 0001



NO	PRODUCT CODE	PRODUCT NAME: RIGEL 35 KW CONDENSING ERP
1	TMX-YP404104	FRONT PANEL
2	RGL-YP201006	RIGEL FRONT PANEL
3	RGL-YP201008	RIGEL BACK COVER
4	RGL-YP601004	MAIN BOARD, RIGEL
5	TMX-YP115001	COMBUSTION CHAMBER COVER
6	TMX-YP605001	PRESSURE GAUGE
7	TMX-YP201012	CH TEMP. ADJUSTMENT BUTTON
8	RGL-YP201009	DHW. TEMP. ADJUSTMENT BUTTON
9	RGL-YP601102	RESET BUTTON
10	RGL-YP705203R	RIGEL GAS VALVE 35KW
11	TMX-YP704107	GAS VALVE PIPE 35 KW
12	TMX-YP503101	CONDENSING FAN (Modulating)
13	TMX-YP503203	VENTURI FOR FAN 28 KW
14	TMX-YP303008	FAN SEAL
15	TMX-YP501103	MAIN HEAT EXCHANGER 35 KW
16	TMX-YP704101	EXCHANGER RETURN PIPE
17	RGL-YP704110	RIGEL EXCHANGER FLOW PIPE35 KW
18	TMX-YP602101	SAFETY LIMIT THERMOSTAT
19	TMX-YP304011	SIPHON KIT
20	TMX-YP304013	SIPHON HOSE
21	TMX-YP504004	PUMP 35 kW Wilo
22	RGL-YP703203	WATER FLOW SWITCH
23	RGL-YP703202	WATER INLET ASSEMBLY
24	TMX-YP401001	LOW PRESSURE SWITCH
25	TMX-YP703302	SAFETY VALVE 3 BAR
26	TMX-YP702004	PLATE HEAT EXCHANGER 35 KW
27	TMX-YP403001	ELBI MOTOR VALVE
28	TMX-YP703101	3-WAY VALVE ASSEMBLY
29	TMX-YP602003	NTC SENSOR, IMMERSED TYPE
30	TMX-YP701001	EXPANSION VESSEL 8 LT
31	TMX-YP304009	EXPANSION VESSEL, FLEXI
32	TMX-YP404102	SIDE PANEL 28-35 KW
33	RGL-YP602004	SURFACE TYPE NTC SENSOR
34	TMX-YP303003	3 BAR SAFETY BAR OUTLET TUBE
35	RGL-YP604400	RIGEL CABLE ASSEMBLY
36	TMX-YP604101	IGNITION CABLE



PRODUCT CODE: 314 / PRODUCT CODE: 8682353290134
 PRODUCT NAME: THERMEX RIGEL ErP PM 35
 DATE: 01.12.2019 – REV. 0001

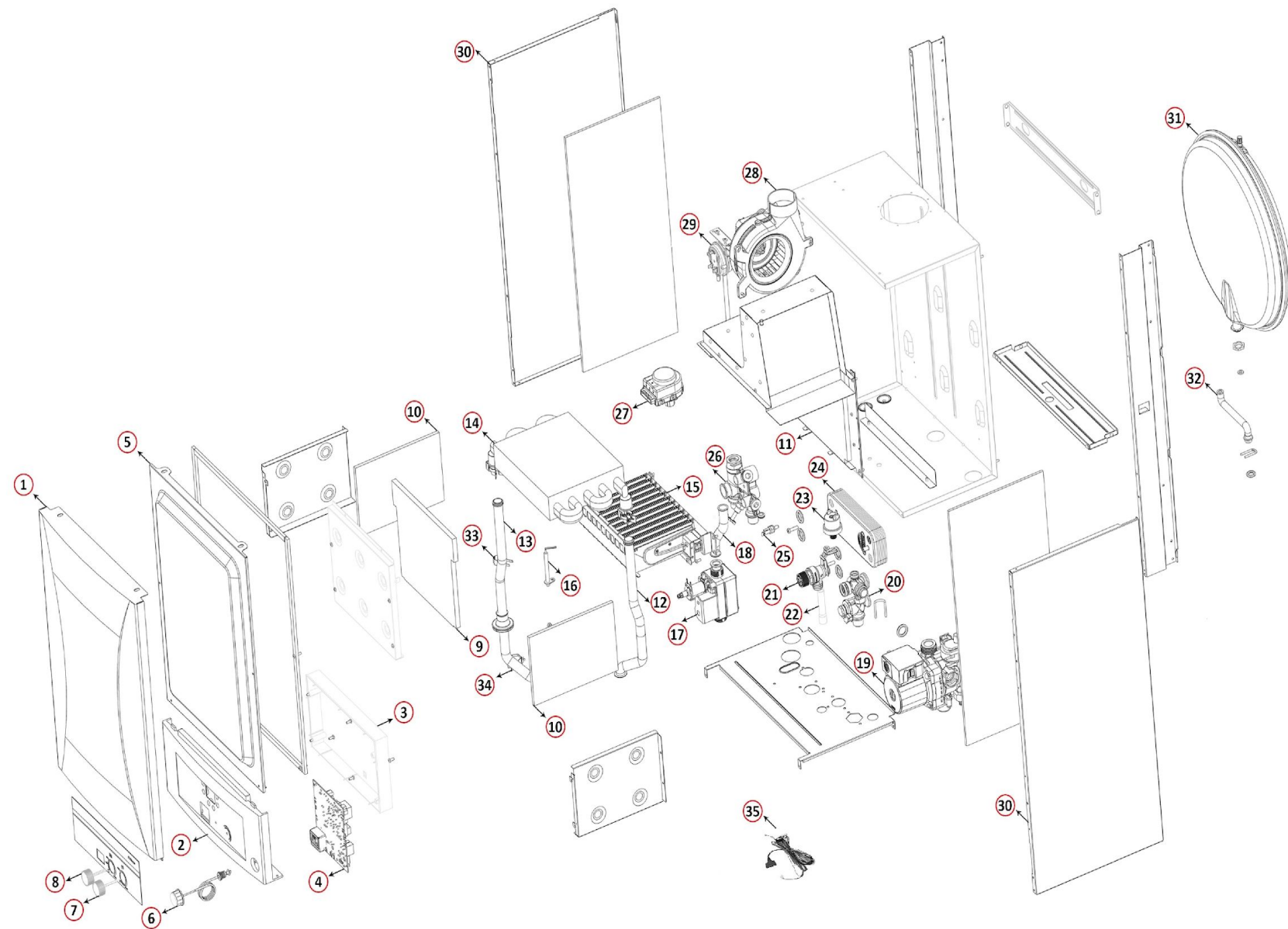


NO PRODUCT CODE PRODUCT NAME: XANTUS 24KW SEALED CHAMBER

1	TMX-YP112001	FRONT PANEL
2	TMX-YP201002	PLASTIC FRONT COVER, XANTUS
3	TMX-YP201004	PLASTIC BACK COVER, XANTUS
4	TMX-YP601001	MAIN BOARD, XANTUS
5	TMX-YP115001	COMBUSTION CHAMBER COVER
6	TMX-YP605001	PRESSURE GAUGE
7	TMX-YP201013	DHW. TEMP. ADJUSTMENT BUTTON
8	TMX-YP201012	CH TEMP. ADJUSTMENT BUTTON
9	TMX-YP404003	DURABOARD FRONT 24 KW
10	TMX-YP404002	DURABOARD RIGHT/LEFT 24KW
11	TMX-YP404001	DURABOARD BACK 24KW
12	TMX-YP704001	EXCHANGER RETURN PIPE 24KW ROOM SEALED
13	TMX-YP704002	EXCHANGER FLOW PIPE 24KW ROOM SEALED
14	TMX-YP501001	COPPER MAIN HEAT EXCHANGER 24KW
15	TMX-YP502001	BURNER 24 KW
16	TMX-YP505001	IGNITION ELECTRODE
17	TMX-YP603001	SIT GAS VALVE 845
18	TMX-YP704003	GAS VALVE PIPE 24KW-28KW ROOM SEALED
19	TMX-YP504001	W/LO PUMP 24KW (15- 5/3)
20	TMX-YP703201	WATER INLET SENSOR
21	TMX-YP703301	3 BAR SAFETY VALVE
22	TMX-YP303003	3 BAR SAFETY BAR OUTLET TUBE
23	TMX-YP401001	LOW PRESSURE SWITCH
24	TMX-YP702001	PLATE HEAT EXCHANGER 24kW ROOM SEALED
25	TMX-YP602001	IMMERSED TYPE NTC CONVENTIONAL
26	TMX-YP703101	3-WAY VALVE ASSEMBLY
27	TMX-YP403002	3-WAY VALVE MOTOR
28	TMX-YP503001	FAN 24 KW
29	TMX-YP402001	AIR PRESSURE SWITCH 24KW
30	TMX-YP113001	SIDE COVER RIGHT/LEFT
31	TMX-YP701001	EXPANSION VESSEL 8 LT
32	TMX-YP304009	EXPANSION VESSEL, FLEXI
33	TMX-YP602101	SAFETY LIMIT THERMOSTAT 105 DEGREE
34	TMX-YP602002	SURFACE TYPE NTC SENSOR
35	TMX-YP604100	XANTUS CABLE ASSY.



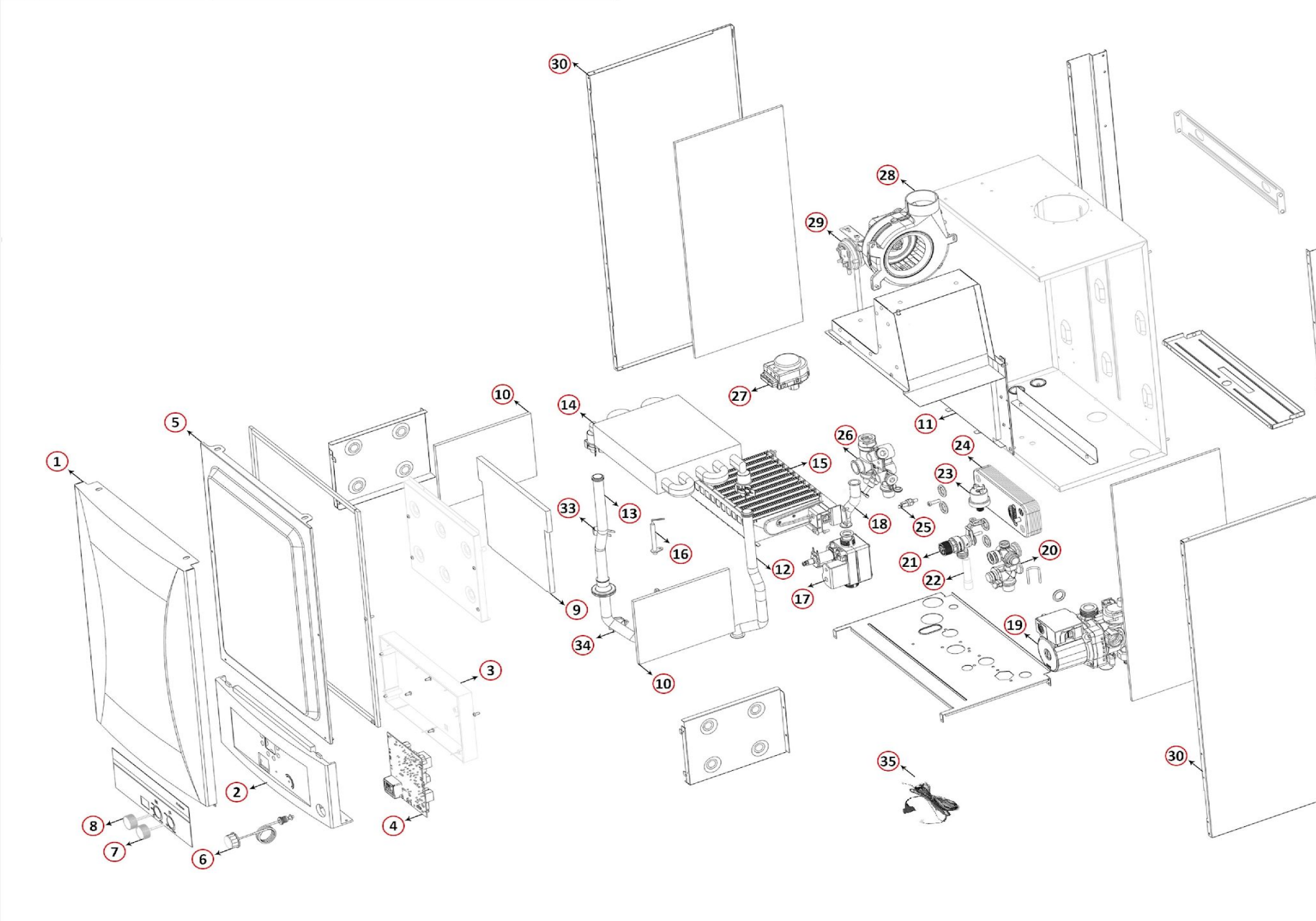
PRODUCT CODE: 101 / PRODUCT CODE: 8682353290172
 PRODUCT NAME: THERMEX XANTUS (PRO) HM 24
 DATE: 01.12.2019 – REV. 0001



NO	PRODUCT CODE	PRODUCT NAME: XANTUS 28KW SEALED CHAMBER
1	TMX-YP112001	FRONT PANEL
2	TMX-YP201002	PLASTIC FRONT COVER, XANTUS
3	TMX-YP201004	PLASTIC BACK COVER, XANTUS
4	TMX-YP601001	MAIN BOARD, XANTUS
5	TMX-YP115001	COMBUSTION CHAMBER COVER
6	TMX-YP605001	PRESSURE GAUGE
7	TMX-YP201013	DHW. TEMP. ADJUSTMENT BUTTON
8	TMX-YP201012	CH TEMP. ADJUSTMENT BUTTON
9	TMX-YP404005	DURABOARD FRONT 28 KW
10	TMX-YP404002	DURABOARD RIGHT/LEFT 24KW / 28KW
11	TMX-YP404004	DURABOARD BACK 28KW
12	TMX-YP704004	EXCHANGER RETURN PIPE 28KW ROOM SEALED
13	TMX-YP704005	EXCHANGER FLOW PIPE 28KW ROOM SEALED
14	TMX-YP501002	COPPER MAIN HEAT EXCHANGER 28KW
15	TMX-YP502002	BURNER 28 KW
16	TMX-YP505001	IGNITION ELECTRODE
17	TMX-YP603001	SIT GAS VALVE 845
18	TMX-YP704003	GAS VALVE PIPE 24KW-28KW ROOM SEALED
19	TMX-YP504002	WIŁO PUMP 28KW (15- 6/3)
20	TMX-YP703201	WATER INLET SENSOR
21	TMX-YP703301	3 BAR SAFETY VALVE
22	TMX-YP303003	3 BAR SAFETY BAR OUTLET TUBE
23	TMX-YP401001	LOW PRESSURE SWITCH
24	TMX-YP702002	PLATE HEAT EXCHANGER 28KW ROOM SEALED
25	TMX-YP602001	IMMERSED TYPE NTC CONVENTIONAL
26	TMX-YP703101	3-WAY VALVE ASSEMBLY
27	TMX-YP403002	3-WAY VALVE MOTOR
28	TMX-YP503002	FAN 28 KW
29	TMX-YP402002	AIR PRESSURE SWITCH 28KW
30	TMX-YP113001	SIDE COVER RIGHT/LEFT
31	TMX-YP701001	EXPANSION VESSEL 8 LT
32	TMX-YP304009	EXPANSION VESSEL, FLEXI
33	TMX-YP602101	SAFETY LIMIT THERMOSTAT 105 DEGREE
34	TMX-YP602002	SURFACE TYPE NTC SENSOR
35	TMX-YP604100	XANTUS CABLE ASSY.



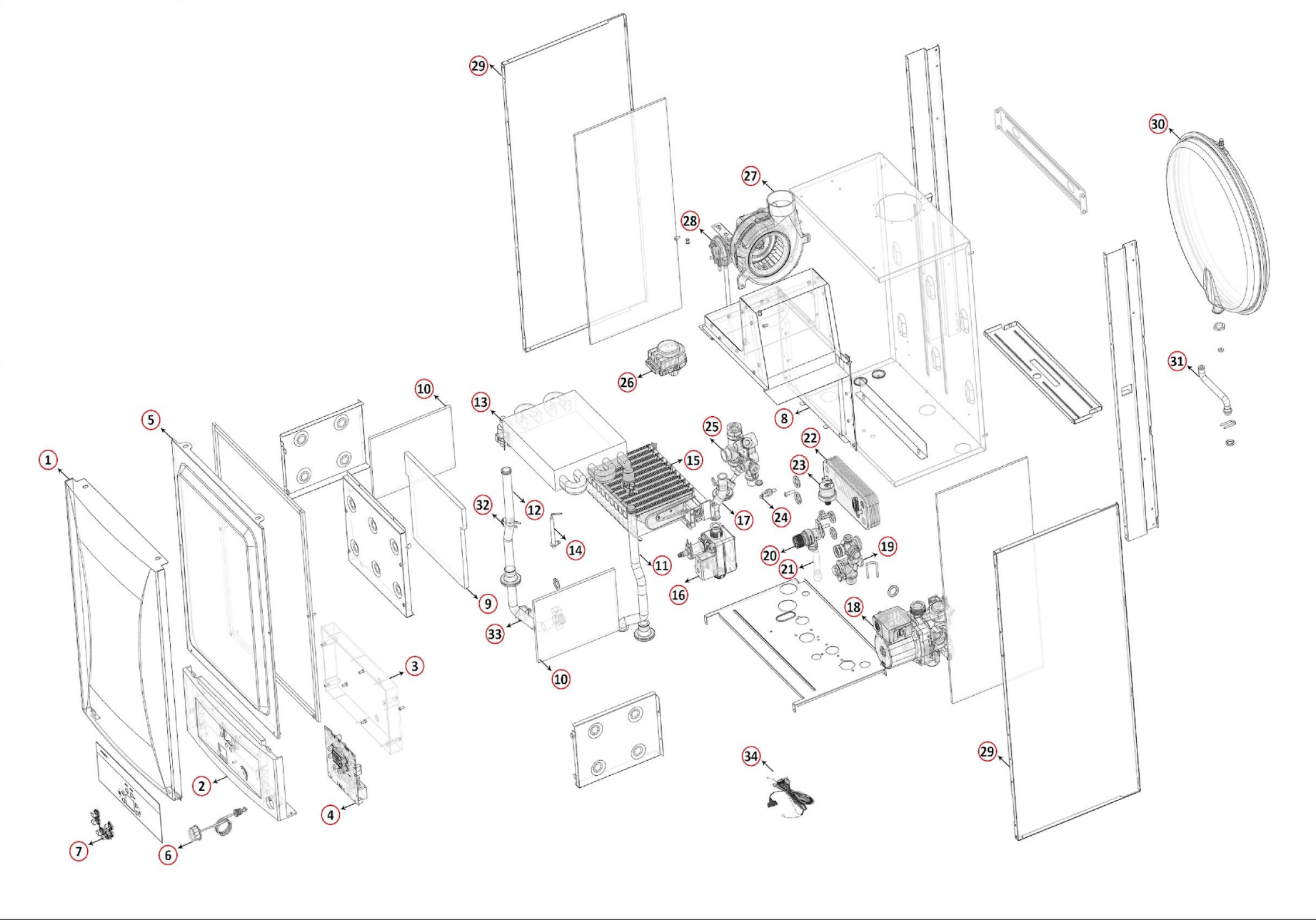
PRODUCT CODE: 201 / PRODUCT CODE: 8682353290189
 PRODUCT NAME: THERMEX XANTUS (PRO) HM 28
 DATE: 01.12.2019 – REV. 0001



NO	PRODUCT CODE	PRODUCT NAME: ANTARES 24KW SEALED CHAMBER
1	TMX-YP112001	FRONT PANEL
2	TMX-YP201003	PLASTIC FRONT COVER, ANTARES
3	TMX-YP201005	PLASTIC BACK COVER, ANTARES
4	TMX-YP601002	MAIN BOARD, ANTARES
5	TMX-YP115001	COMBUSTION CHAMBER COVER
6	TMX-YP605001	PRESSURE GAUGE
7	TMX-YP601101	SILICON BUTTON ANTARES
8	TMX-YP404001	DURABOARD BACK 24KW
9	TMX-YP404003	DURABOARD FRONT 24 KW
10	TMX-YP404002	DURABOARD RIGHT/LEFT 24KW
11	TMX-YP704001	EXCHANGER RETURN PIPE 24KW ROOM SEALED
12	TMX-YP704002	EXCHANGER FLOW PIPE 24KW ROOM SEALED
13	TMX-YP501001	COPPER MAIN HEAT EXCHANGER 24KW
14	TMX-YP505001	IGNITION ELECTRODE
15	TMX-YP502001	BURNER 24 KW ROOM SEALED
16	TMX-YP603001	SIT GAS VALVE 845
17	TMX-YP704003	GAS VALVE PIPE 24KW-28KW ROOM SEALED
18	TMX-YP504001	WİLO PUMP 24KW (15- 5/3)
19	TMX-YP703201	WATER INLET SENSOR
20	TMX-YP703301	3 BAR SAFETY VALVE
21	TMX-YP303003	3 BAR SAFETY BAR OUTLET TUBE
22	TMX-YP702001	PLATE HEAT EXCHANGER 24kW ROOM SEALED
23	TMX-YP401001	LOW PRESSURE SWITCH
24	TMX-YP602001	IMMERSED TYPE NTC CONVENTIONAL
25	TMX-YP703101	3-WAY VALVE ASSEMBLY
26	TMX-YP403002	3-WAY VALVE MOTOR
27	TMX-YP503001	FAN 24 KW
28	TMX-YP402001	AIR PRESSURE SWITCH 24KW
29	TMX-YP113001	SIDE COVER RIGHT/LEFT
30	TMX-YP701001	EXPANSION VESSEL 8 LT
31	TMX-YP304009	EXPANSION VESSEL, FLEXI
32	TMX-YP602101	SAFETY LIMIT THERMOSTAT 105 DEGREE
33	TMX-YP602002	SURFACE TYPE NTC SENSOR
34	TMX-YP604200	ANTARES CABLE ASSY.



PRODUCT CODE:102 / PRODUCT CODE: 8682353290066
 PRODUCT NAME: THERMEX ANTARES HM 24
 DATE: 01.12.2019 – REV. 0001



NO PRODUCT CODE PRODUCT NAME: ANTARES 28 KW SEALED CHAMBER

1	TMX-YP112001	FRONT PANEL THERMEX
2	TMX-YP201003	PLASTIC FRONT COVER, ANTARES
3	TMX-YP201005	PLASTIC BACK COVER, ANTARES
4	TMX-YP601002	MAIN BOARD, ANTARES
5	TMX-YP115001	COMBUSTION CHAMBER COVER
6	TMX-YP605001	PRESSURE GAUGE
7	TMX-YP601101	SILICON BUTTON ANTARES
8	TMX-YP404004	DURABOARD BACK 28KW
9	TMX-YP404005	DURABOARD FRONT 28 KW
10	TMX-YP404002	DURABOARD RIGHT/LEFT 24KW / 28KW
11	TMX-YP704004	EXCHANGER RETURN PIPE 28KW ROOM SEALED
12	TMX-YP704005	EXCHANGER FLOW PIPE 28KW ROOM SEALED
13	TMX-YP501002	COPPER MAIN HEAT EXCHANGER 28KW
14	TMX-YP505001	IGNITION ELECTRODE
15	TMX-YP502002	BURNER 28 KW ROOM SEALED
16	TMX-YP603001	SIT GAS VALVE 845
17	TMX-YP704003	GAS VALVE PIPE 24KW-28KW ROOM SEALED
18	TMX-YP504002	WİLO PUMP 28KW (15- 6/3)
19	TMX-YP703201	WATER INLET SENSOR
20	TMX-YP703301	3 BAR SAFETY VALVE
21	TMX-YP303003	3 BAR SAFETY BAR OUTLET TUBE
22	TMX-YP702002	PLATE HEAT EXCHANGER 28KW ROOM SEALED
23	TMX-YP401001	LOW PRESSURE SWITCH
24	TMX-YP602001	IMMERSED TYPE NTC CONVENTIONAL
25	TMX-YP703101	3-WAY VALVE ASSEMBLY
26	TMX-YP403002	3-WAY VALVE MOTOR
27	TMX-YP503002	FAN 28 KW
28	TMX-YP402002	AIR PRESSURE SWITCH 28KW
29	TMX-YP113001	SIDE COVER RIGHT/LEFT
30	TMX-YP701001	EXPANSION VESSEL 8 LT
31	TMX-YP304009	EXPANSION VESSEL, FLEXI
32	TMX-YP602101	SAFETY LIMIT THERMOSTAT 105 DEGREE
33	TMX-YP602002	SURFACE TYPE NTC SENSOR
34	TMX-YP604200	ANTARES CABLE ASSY.



PRODUCT CODE: 202 / PRODUCT CODE: 8682353290073

PRODUCT NAME: THERMEX ANTARES HM 28

DATE: 01.12.2019 - REV. 0001

