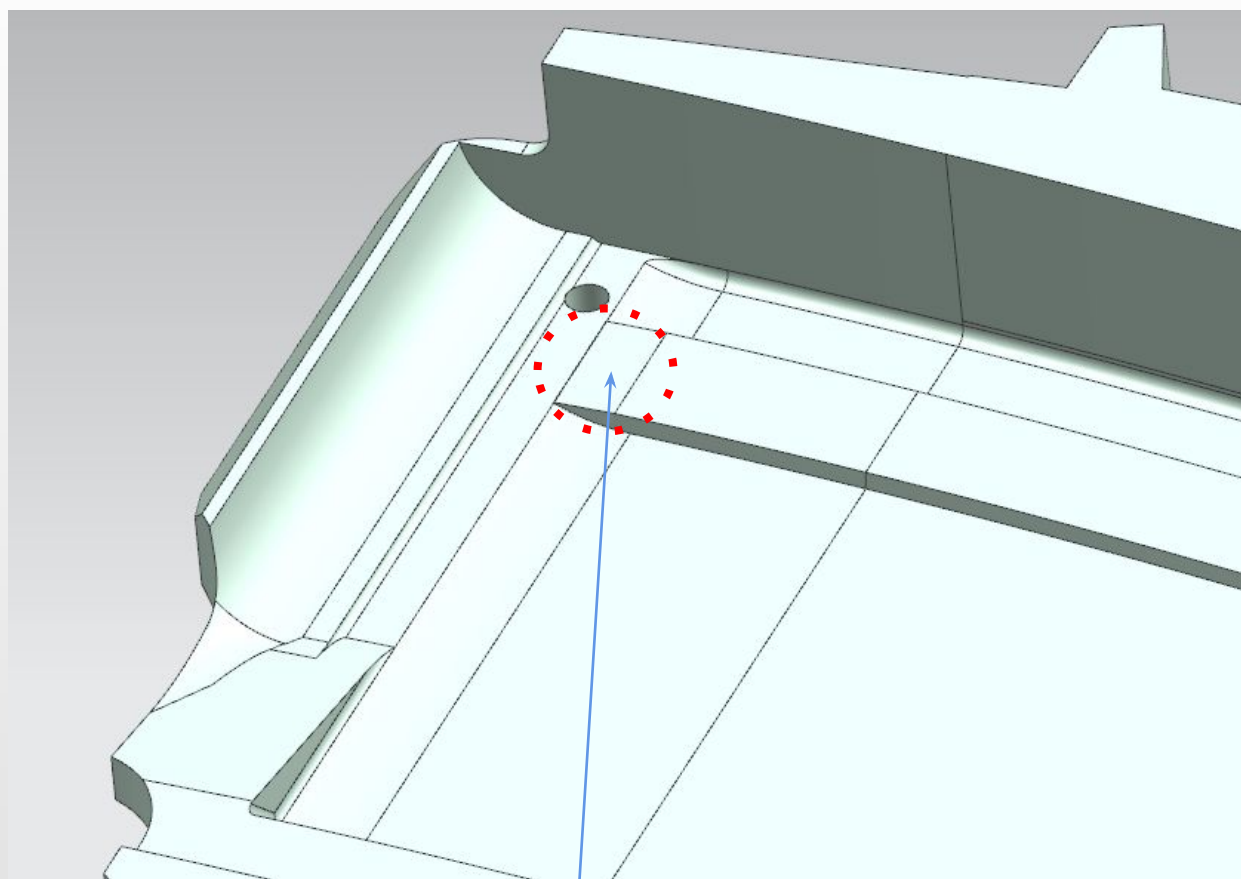
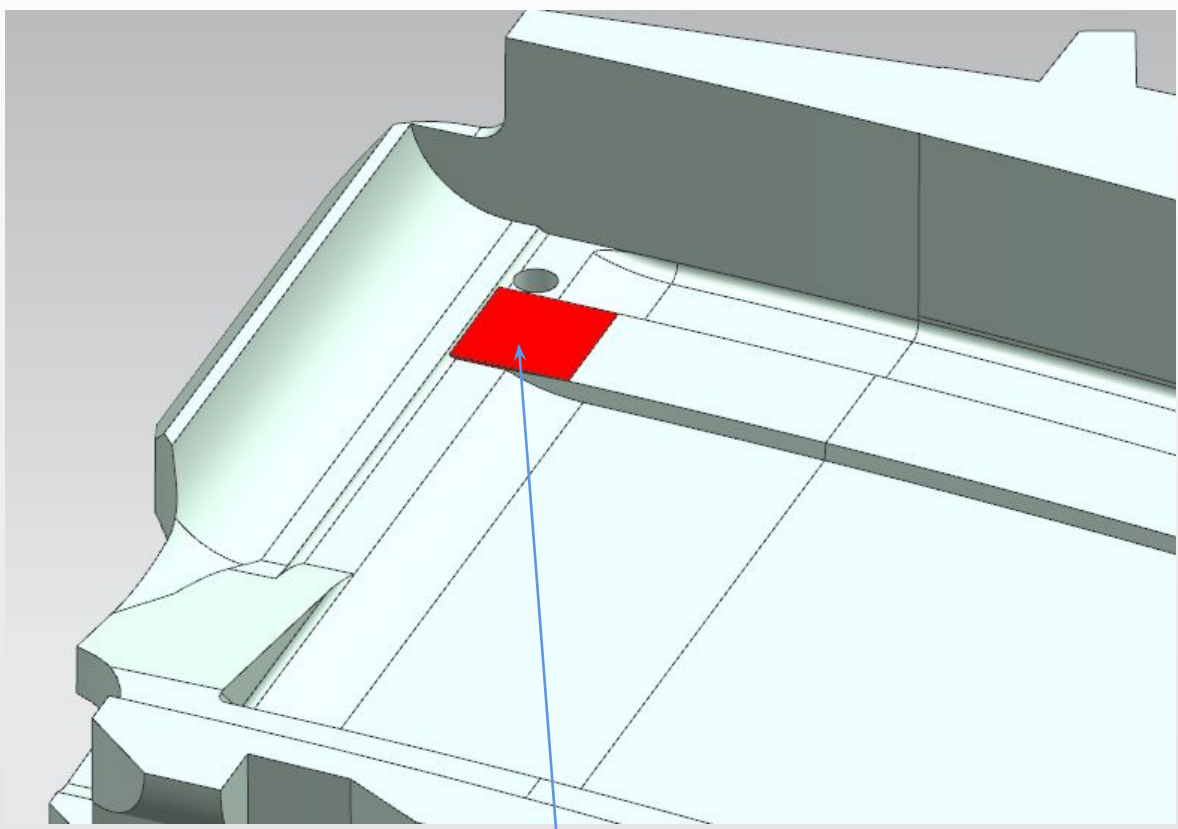


修改前:

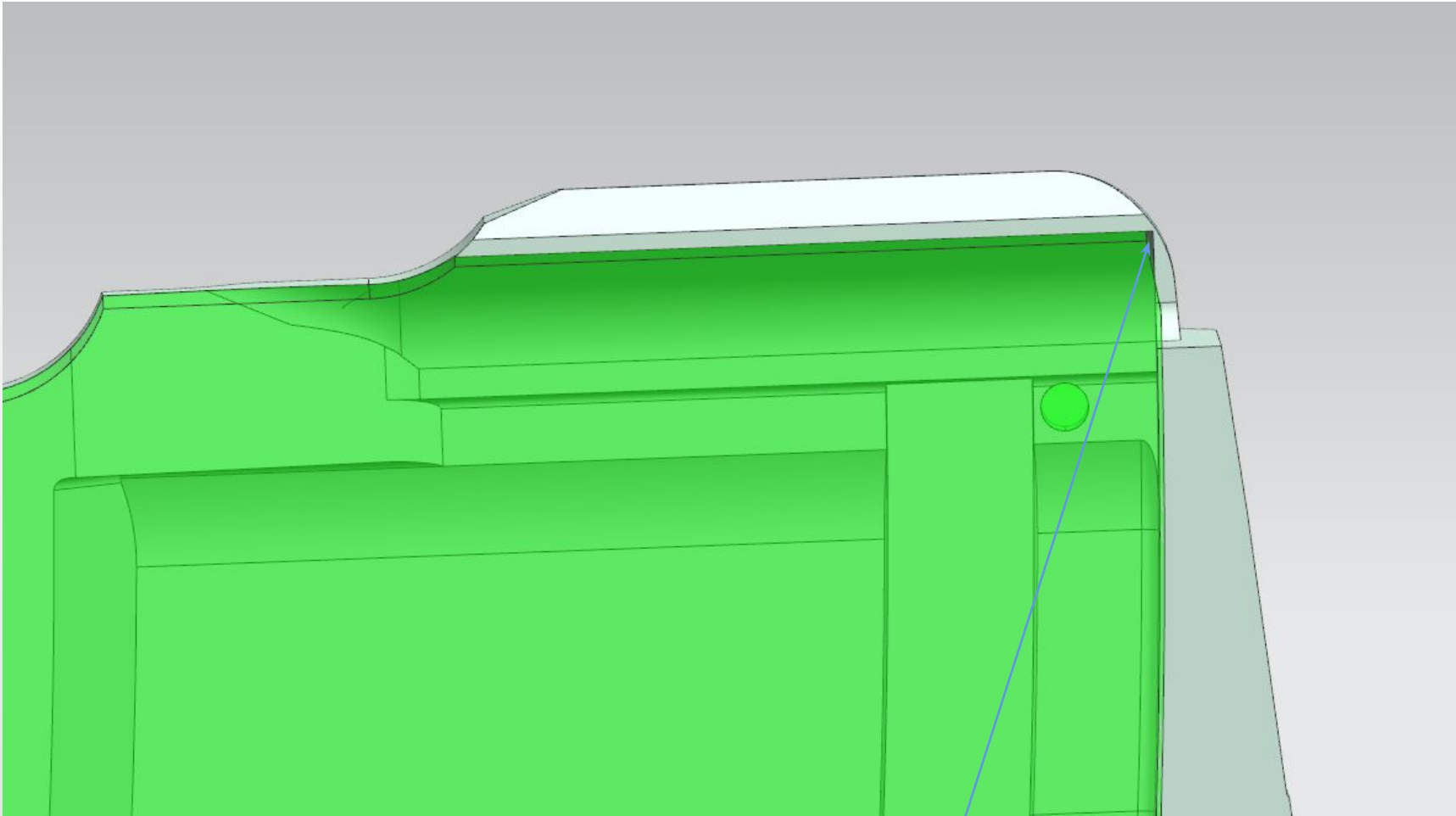


Sorry, there is undercut here, we have to add a little material here to remove the undercut, otherwise the part can not be released from the slide. Thank you.

修改后:



Improve(adding some material on the red surface).



The material here too thin to be fully filled. we suggest adding a little material here, Please check and comment attached 3D improved model. Thank you!