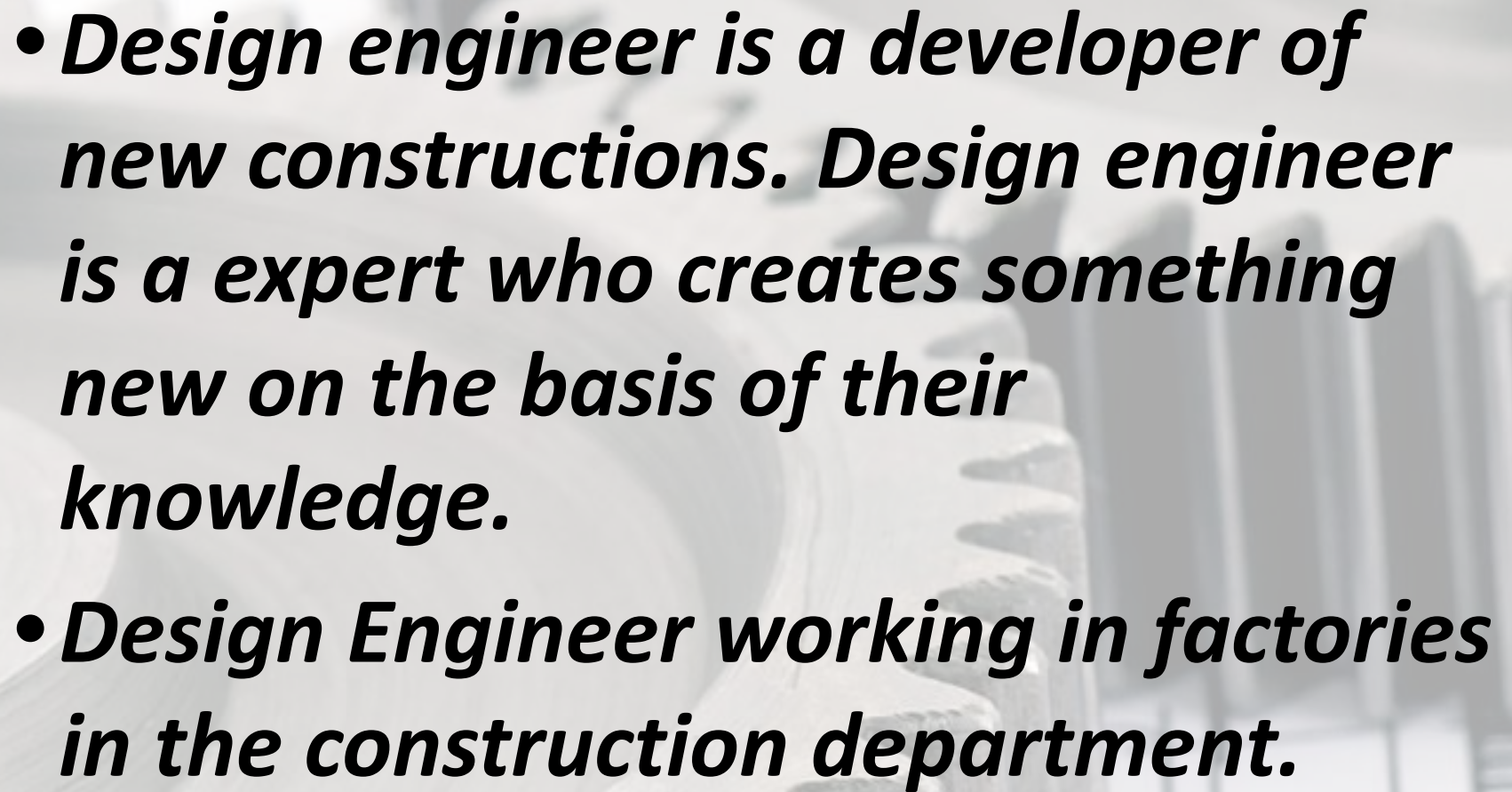
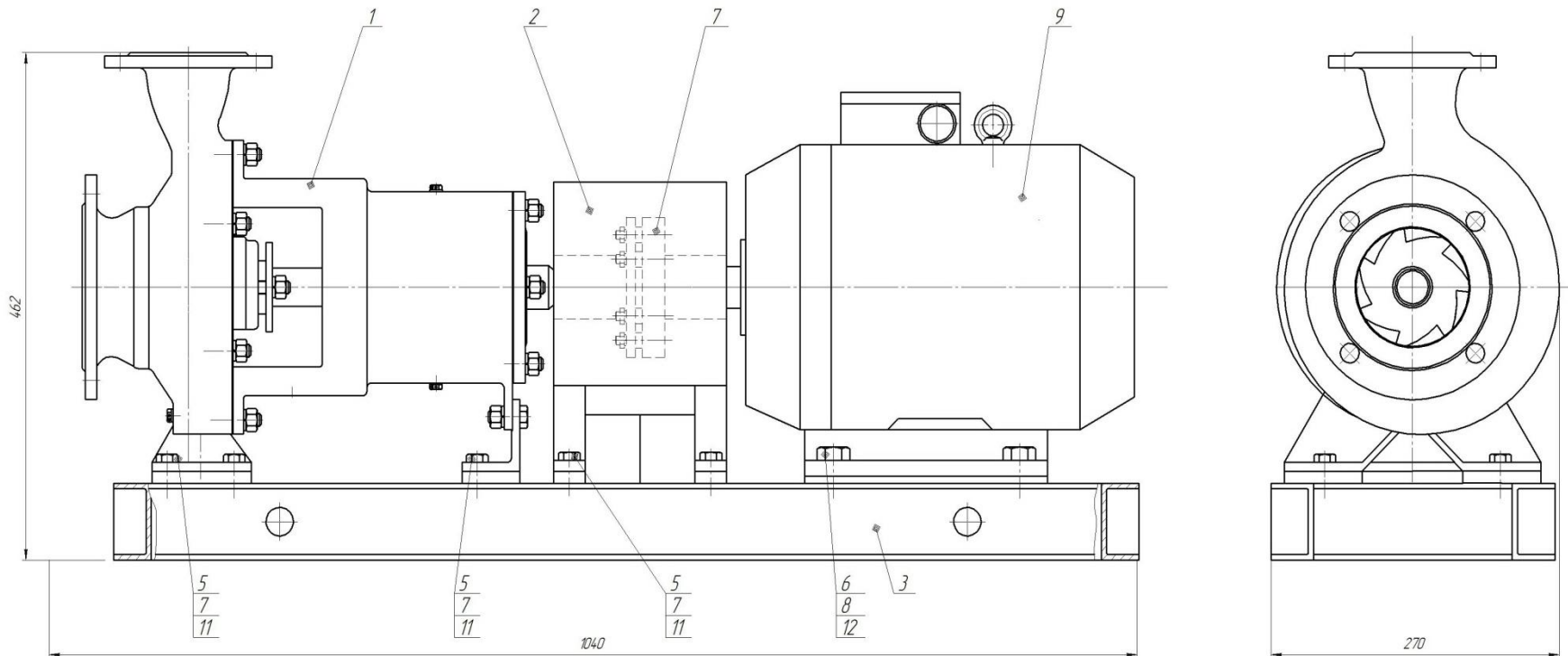
The background features a grayscale image of interlocking gears of various sizes, some in sharp focus and others blurred. In the lower right corner, a portion of a technical drawing grid is visible, showing a series of intersecting lines forming a square pattern.

My profession -
design engineer

- 
- The background of the slide features a grayscale image of interlocking gears on the left and a technical drawing or blueprint on the right, creating an industrial and engineering atmosphere.
- ***Design engineer is a developer of new constructions. Design engineer is a expert who creates something new on the basis of their knowledge.***
 - ***Design Engineer working in factories in the construction department.***

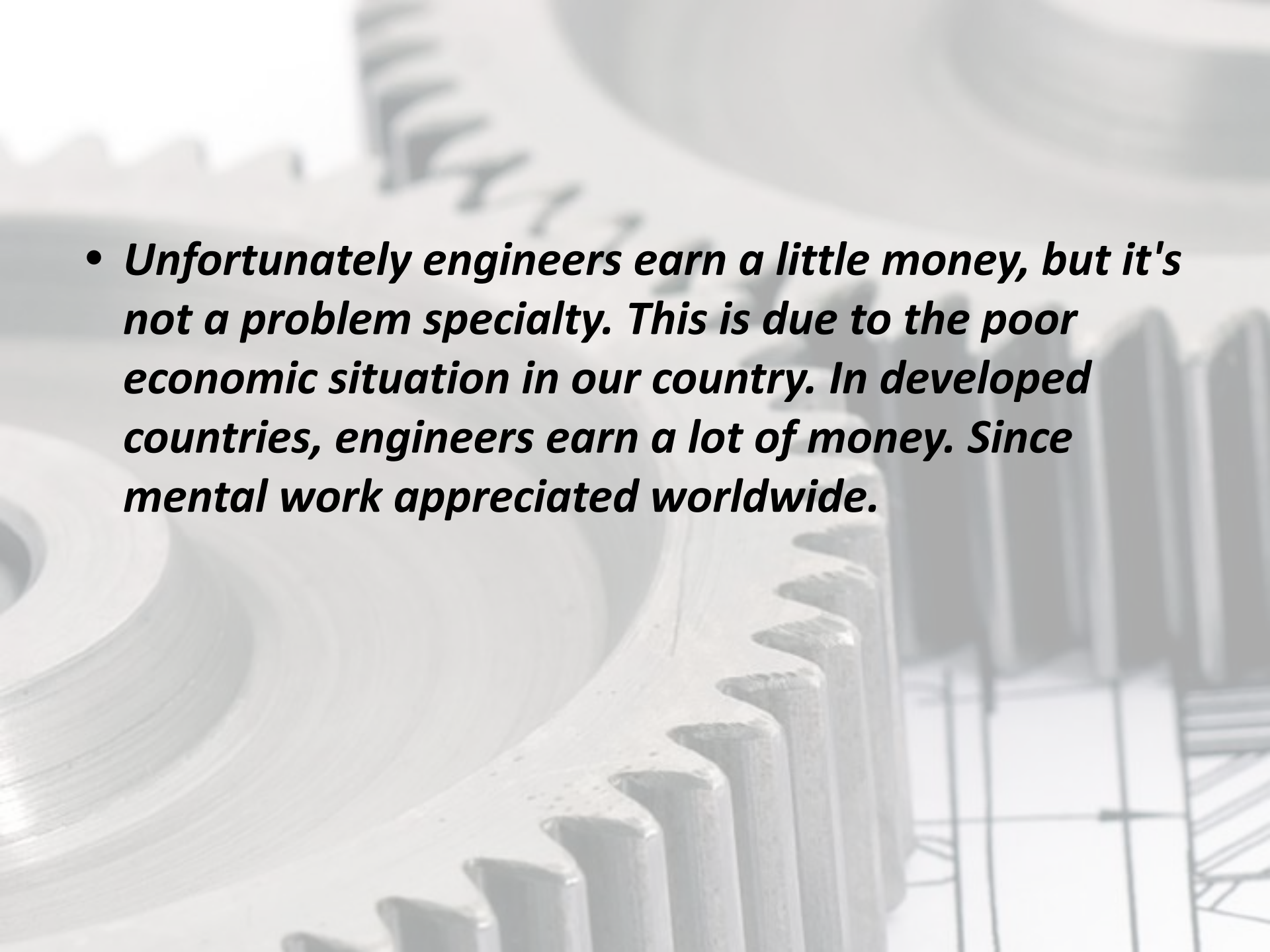
- ***Design engineer a very broad concept and its meaning depends on the specialization. My specialization - hydraulic and pneumatic machines. Design engineer whose specialty is mainly engaged in hydraulic pump design.***



The basic requirements for an engineer :

- ***Necessary knowledge and their constant updating***
- ***Engineer must be organized***
- ***Engineer must be responsible***
- ***Engineer must be able to apply their skills in theory in practice***



- 
- ***Unfortunately engineers earn a little money, but it's not a problem specialty. This is due to the poor economic situation in our country. In developed countries, engineers earn a lot of money. Since mental work appreciated worldwide.***

Good points engineer jobs:

- ***Interesting object of work.***
- ***This work is very creative and interesting, requires constant self-improvement.***
- ***Engineer every day learn something new, to create something new.***

Bad points engineer jobs:

- ***Engineer to go to great responsibility for his work. Engineer must be responsible for their mistakes, including financially.***

Prominent professional

- *Denis Papen French mathematician, physicist, inventor and engineer.*
- *He invented the first centrifugal pump.*
- *At the University of Angers, he studied medicine and received his doctorate.*
- *Papen also proposed the construction of a centrifugal pump, designed for glass melting furnace, a steam wagon and a submarine, invented the pressure cooker and a few machines for lifting water.*





Thank you for listening!
Cood bye!