

# Autodesk Inventor® Professional

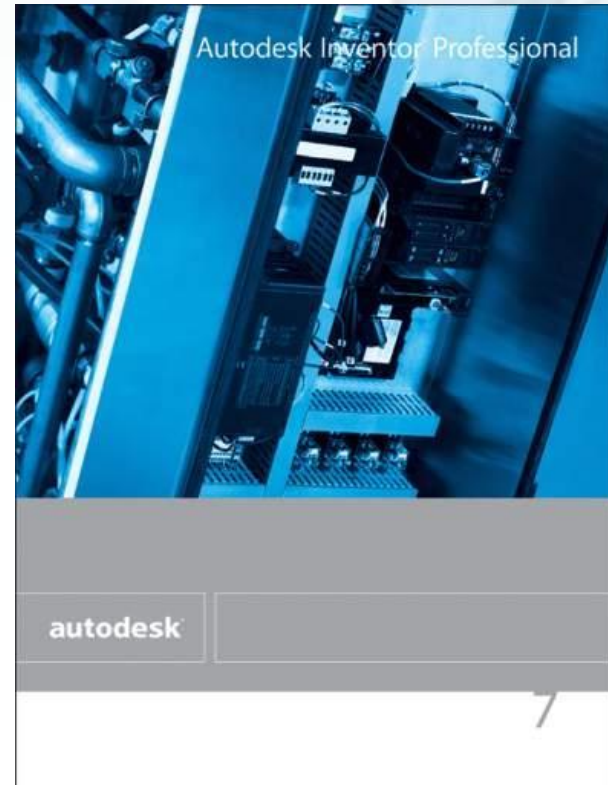
*Design, Validate and Document  
the Complete Machine*

**Introduction**

# Introducing Autodesk Inventor Professional

*Bringing cross-functional engineering teams together to design, validate, and document the complete product in 3D.*

- Design process automation software built on Autodesk Inventor Series. Includes:
  - Autodesk Inventor
  - Autodesk Mechanical Desktop, including AutoCAD Mechanical
  - Task specific applications



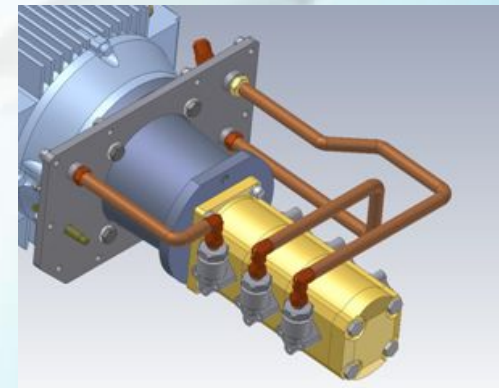
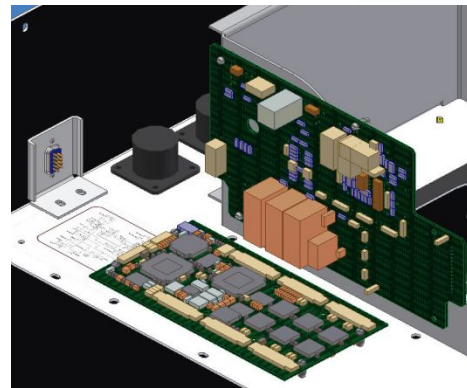
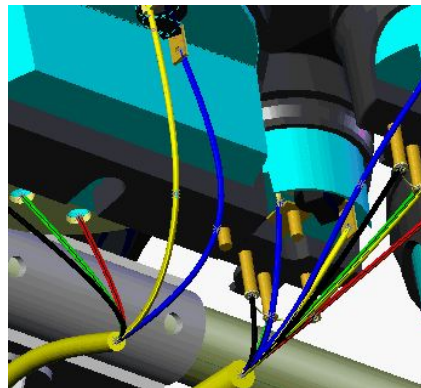
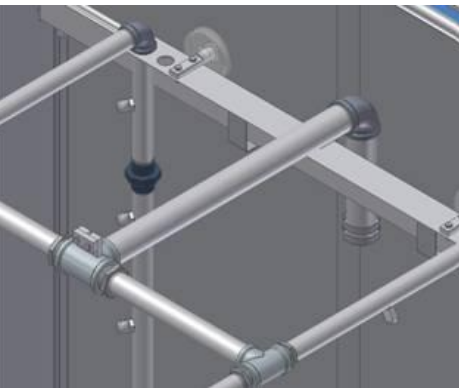
# Autodesk Inventor Professional: Task Specific Applications

## Available today in release 7

- Tube & Pipe design
- IDF (Printed Circuit Board file format) import

## Vision

- Cable & Harness
- Diagramming – wire and fluid system schematics



## With Autodesk Inventor Professional you ...

- Minimize design errors and reduce costs by ensuring **all parts fit** in the 3D model, rather than a prototype.
- Utilize **one model** to communicate all aspects of the design.
- Provide downstream users with **easy access** to a complete data set.
- Ensure that design changes are reflected throughout the **entire process** and for all users.

How? By creating a complete product definition that is easily shared between cross functional teams.

# How is Autodesk Inventor Professional Unique?

- Built on Autodesk Inventor Series
- Includes a full Autodesk Inventor Series license
- Does NOT require costly add-ons
  - One value price provides all the applications out of the box
  - Eliminates the added expense typically imposed for additional modules
- Simplifies the process of configuring a complete solution
  - Work with a single vendor
  - Purchase as a single product
  - Receive support, integration and training from one source



With Tube and Pipe you can...

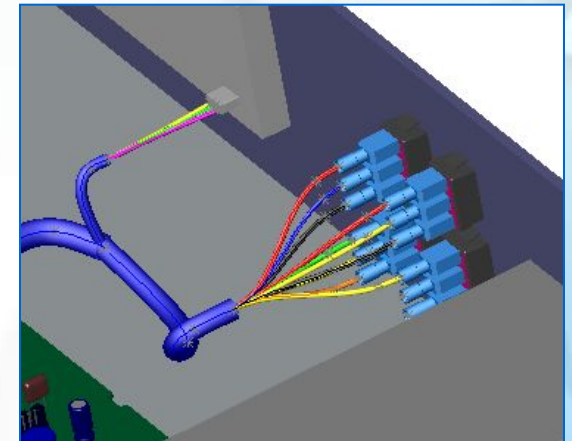
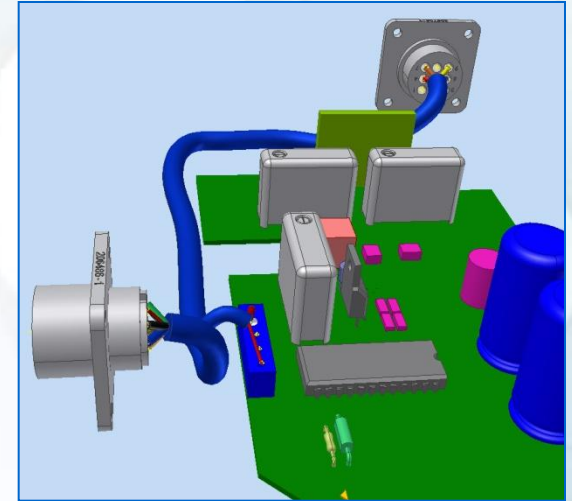
- Quickly create tubes and pipes in Inventor assemblies and maintain their relative position to other geometry.
- Automatically adhere to design rules, thereby minimizing errors.
- Utilize standard part libraries, assuring manufacturability and adherence to standards.
- Create your own libraries or use existing ISO, ANSI, JIS and DIN libraries.

## With Printed Circuit Board import you can ...

- Import PCB outline and component height data directly into Inventor as a part or assembly.
- Decrease your design time by importing accurate PCB data rather than recreating.
- Improve design quality by ensuring mounting hardware is accurately placed, connectors and other components are accessible, and using keep-out areas to avoid part interference.
- Accurately locate board connectors for cable and harness design.

# Autodesk Inventor Professional Vision

Further reduce the effort and expense of completing your machine design process by including Cable and Harness models.





## 3D Cable and Harness design enables you to...

- Create intelligent 3D models of wire harnesses and cables.
- Design wiring without waiting for a hardware prototype.
- Calculate exact bundle diameters and wire lengths in the context of a 3D model.
- Automatically generate BOM and Wire Lists, reducing human error.
- Reduce costs and time associated with ECOs.

# Autodesk Inventor Professional Helps You...

- Automate critical development tasks, accelerating the design cycle and increasing productivity and quality.
- Remove barriers between cross functional teams.
- Simplify the process of configuring, implementing, and managing a complete machine design solution.





advanced micro systems  
"the cadd productivity specialists"

**autodesk®**

Visit the Autodesk Inventor Professional Website for more information:

[www.amsystems.com](http://www.amsystems.com)