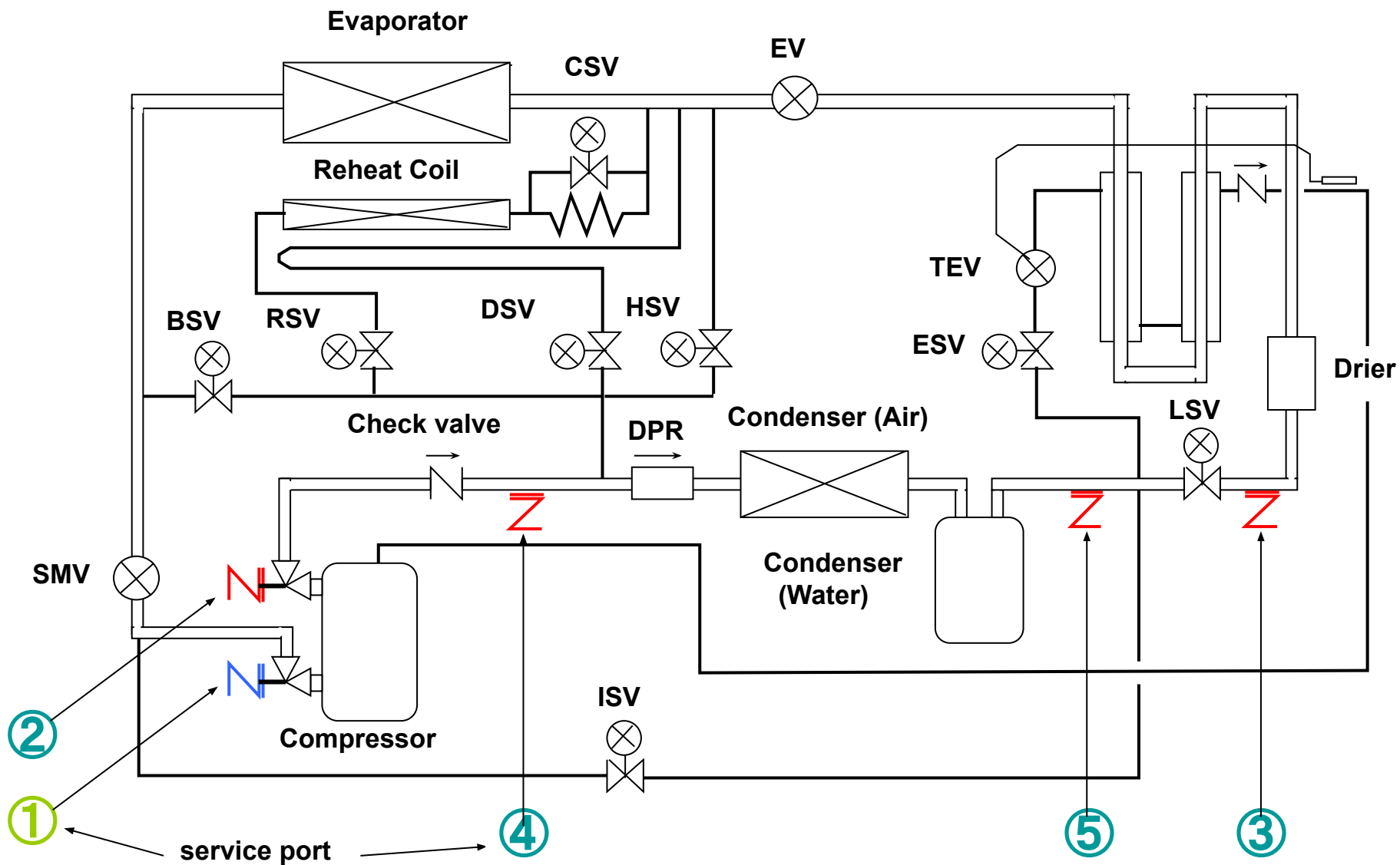
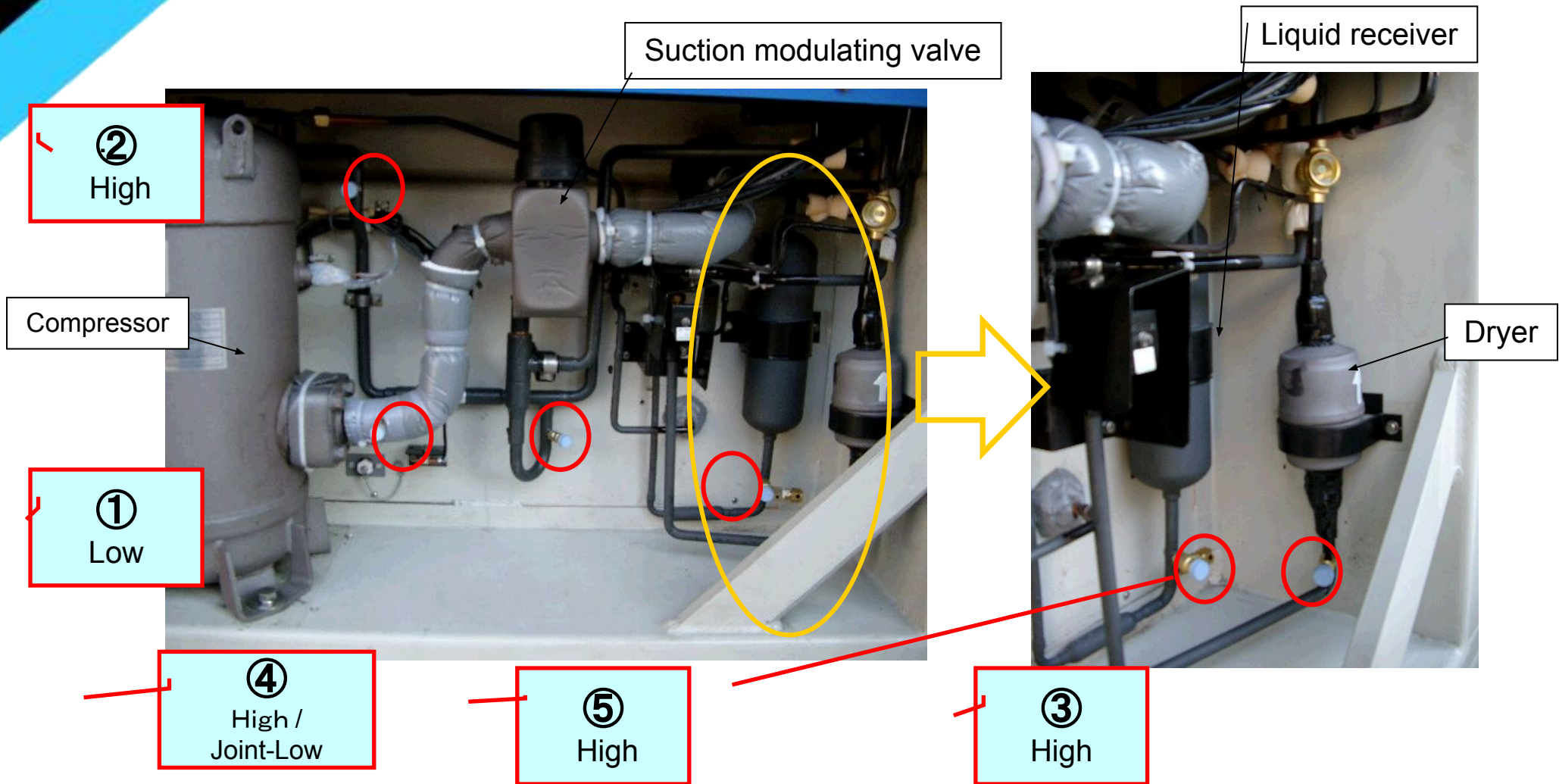


HOW TO USE 5 SERVICE PORTS

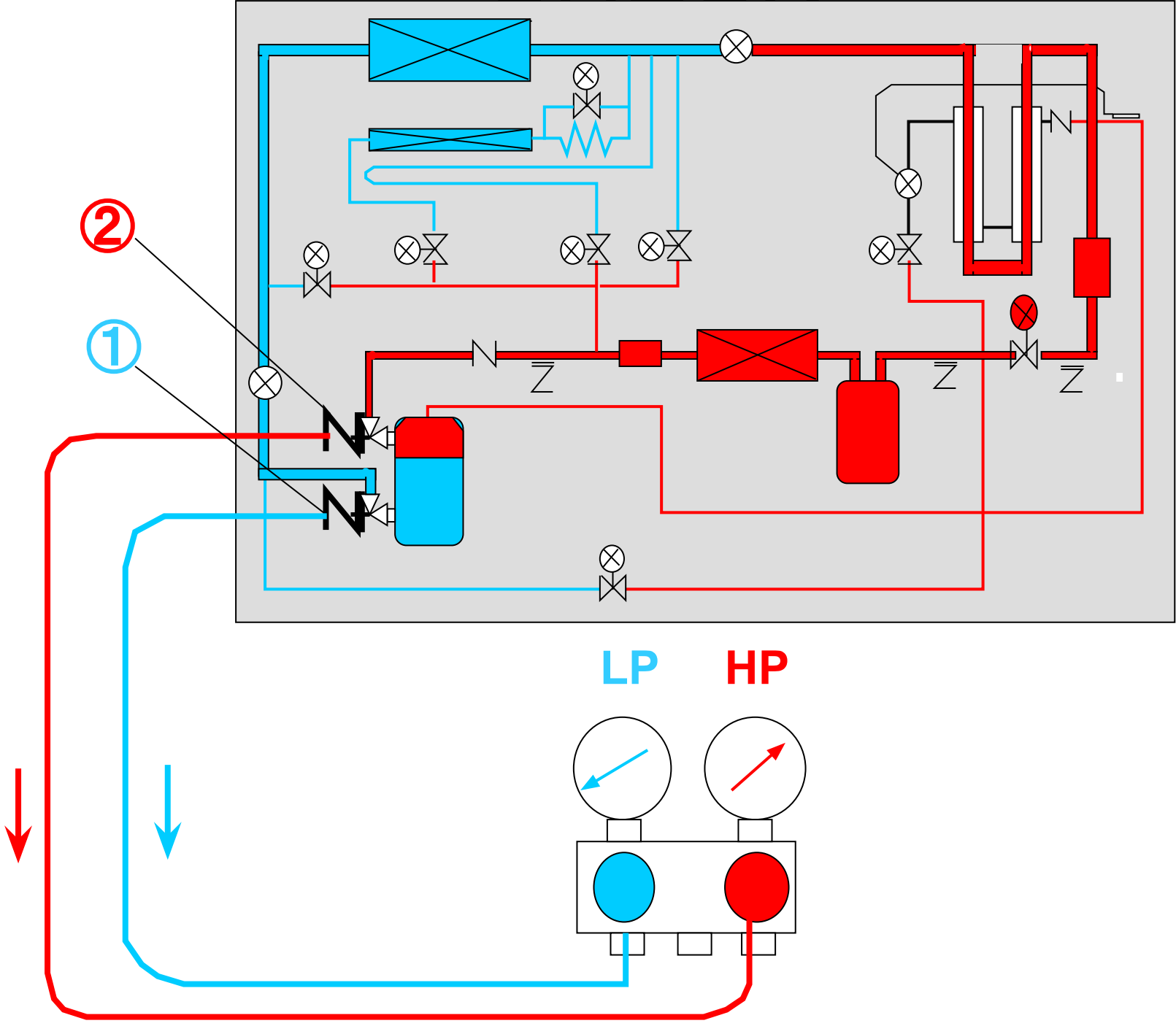


How to use 5 service ports LXE10E-A

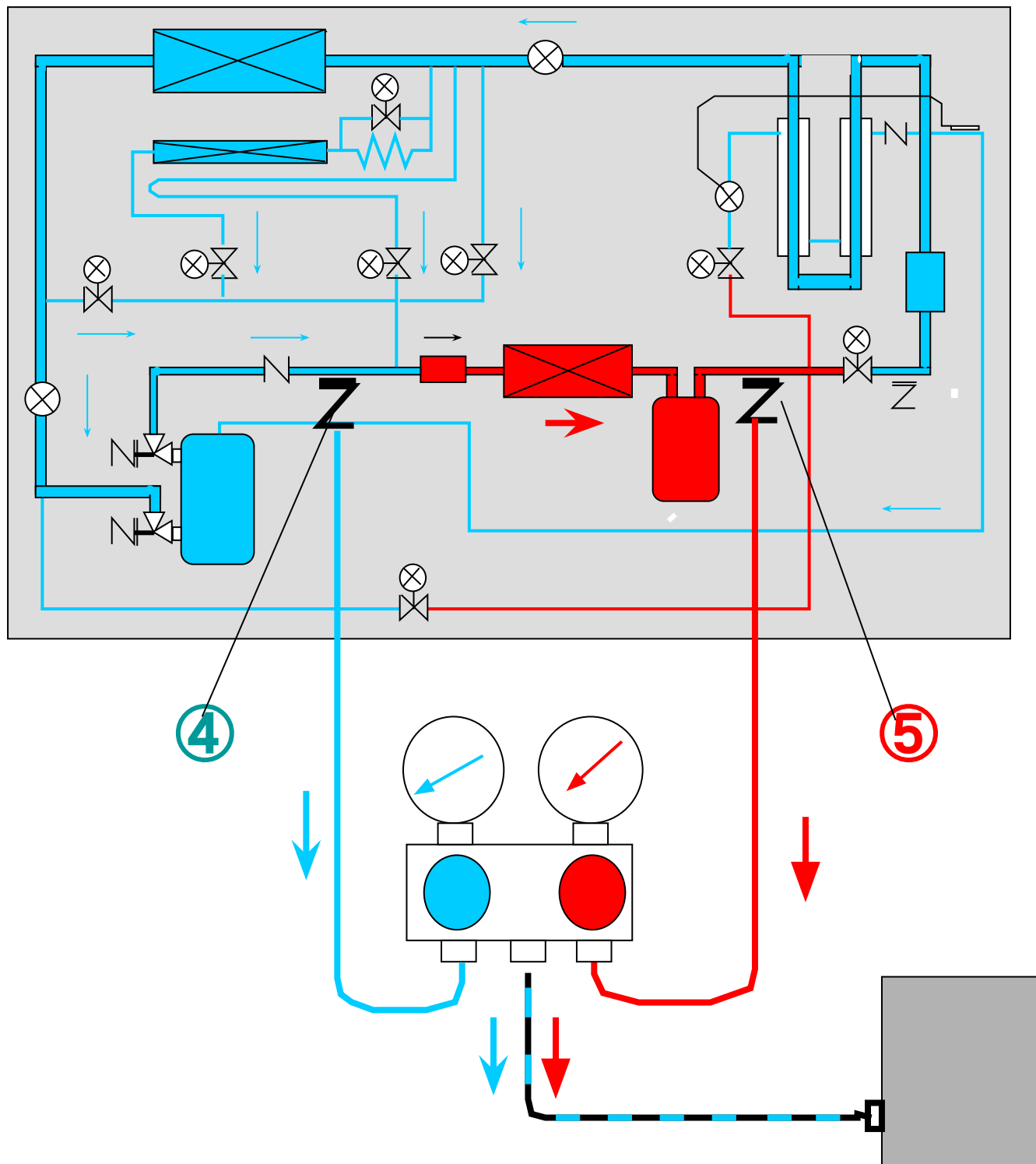


Service work		Service port	Remarks
Pressure check	High press.	②	Take care that the high pressure at the port ④ & ⑤ will be keeping a while after the unit stops.
	Low press.	①	
Refrigerant charge	1.Refrigerant recovery	④ & ⑤	Recover refrigerant from ④ & ⑤ after operating automatic pump-down first
	2.Vacuum & Dehydration	④ & ⑤	After recovering, vacuum from port ④ & ⑤.
	3.Liquid charging	⑤→③	⑤→③
③		③	If not reached to the specified amount, go to next below. 1.Operate automatic pump-down first and stop it using ON/OFF switch when the compressor stops during the auto pump-down operation. 2.Charge liquid refrigerant from port ③.

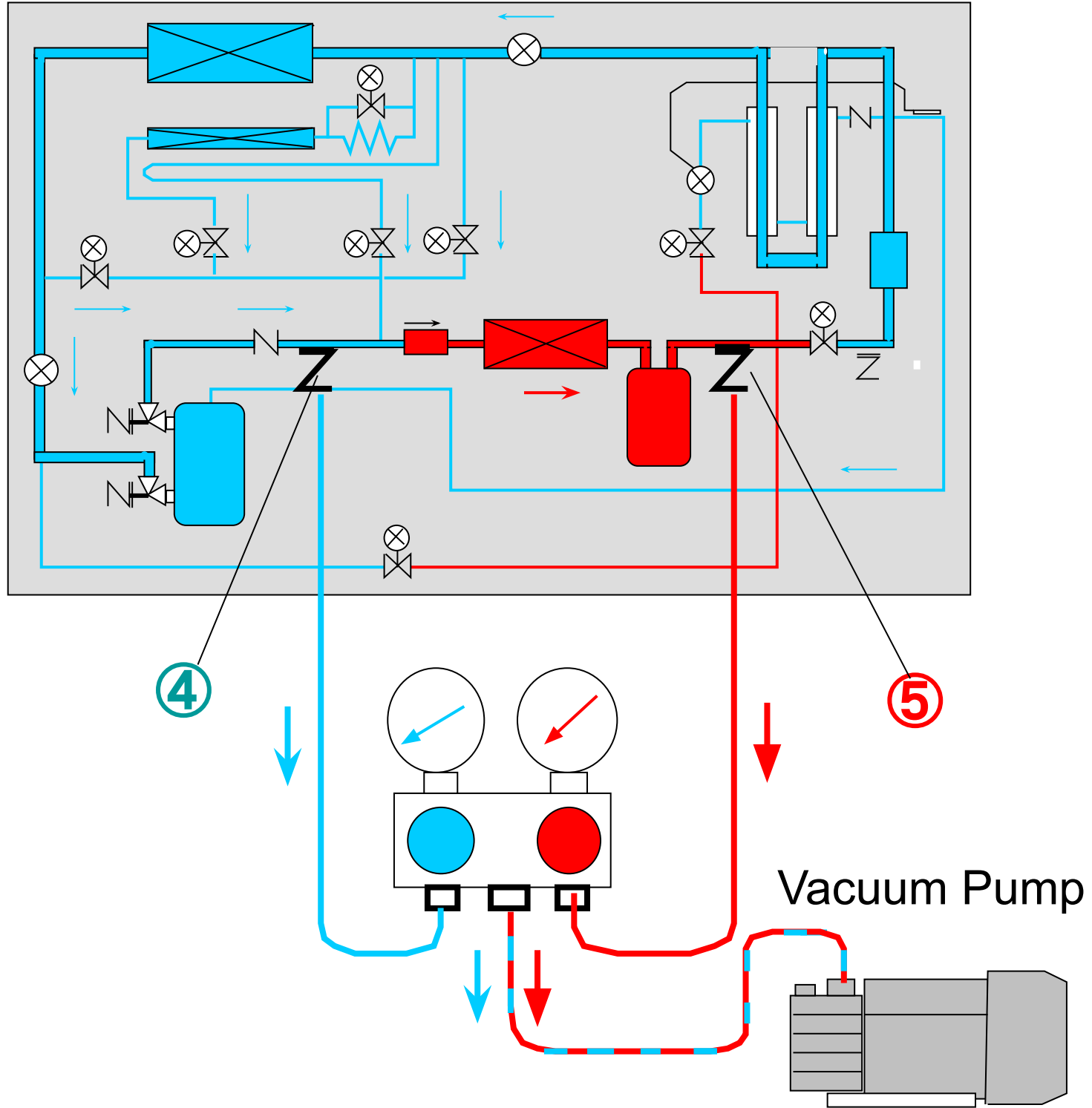
OPERATION PRESSURE CHECK



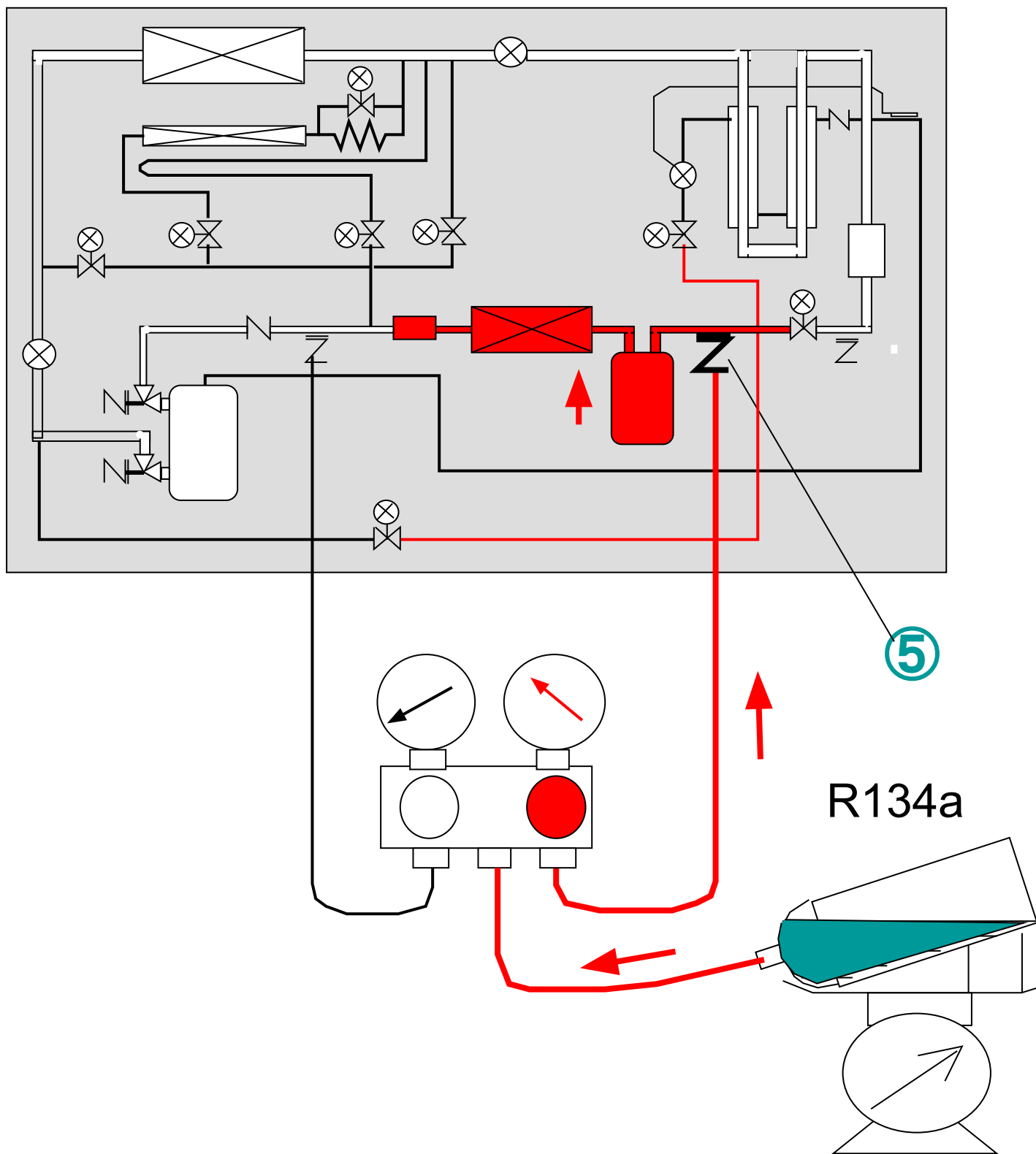
REFRIGERANT RECOVERING



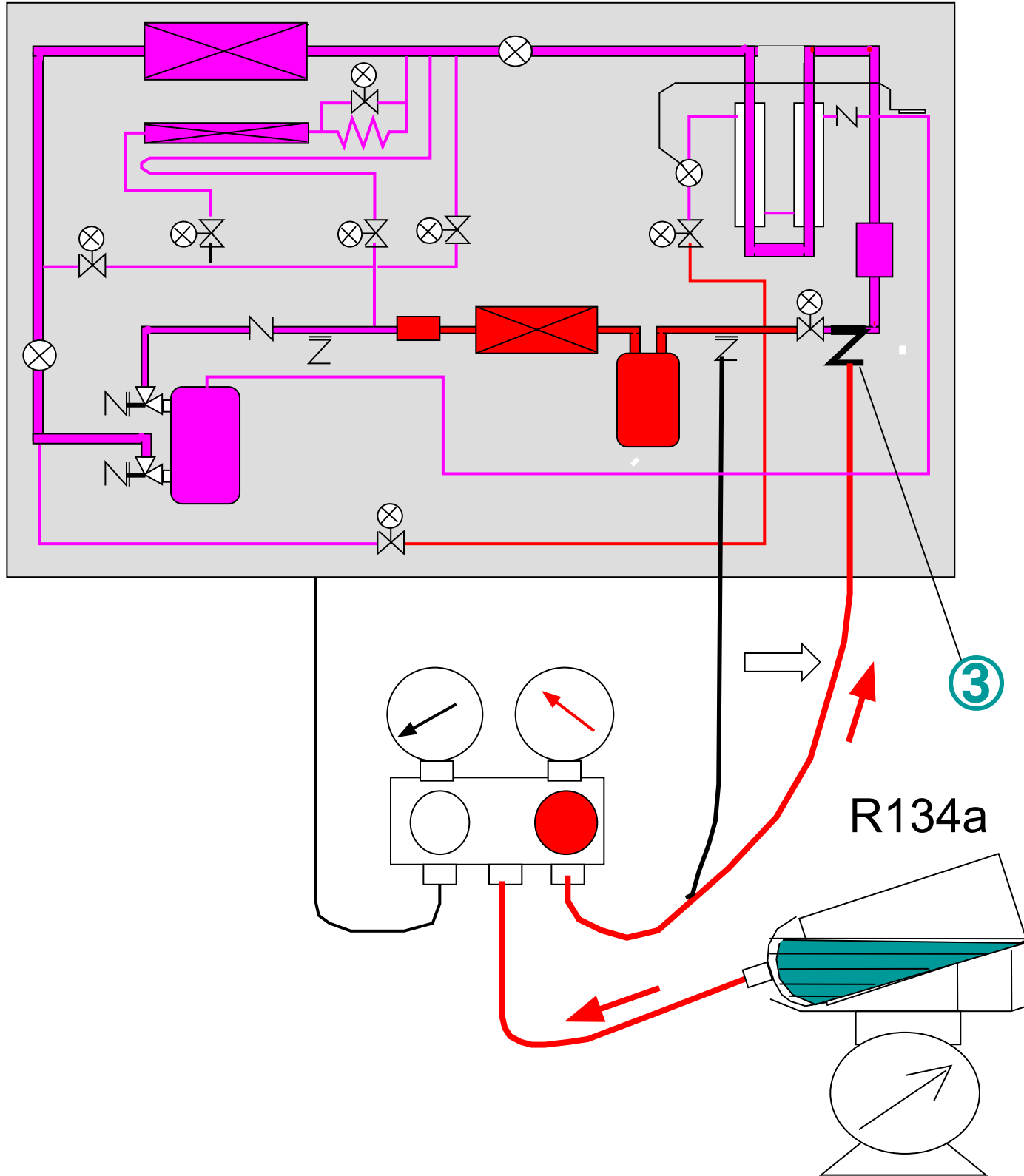
VACUUM & DEHYDRATION



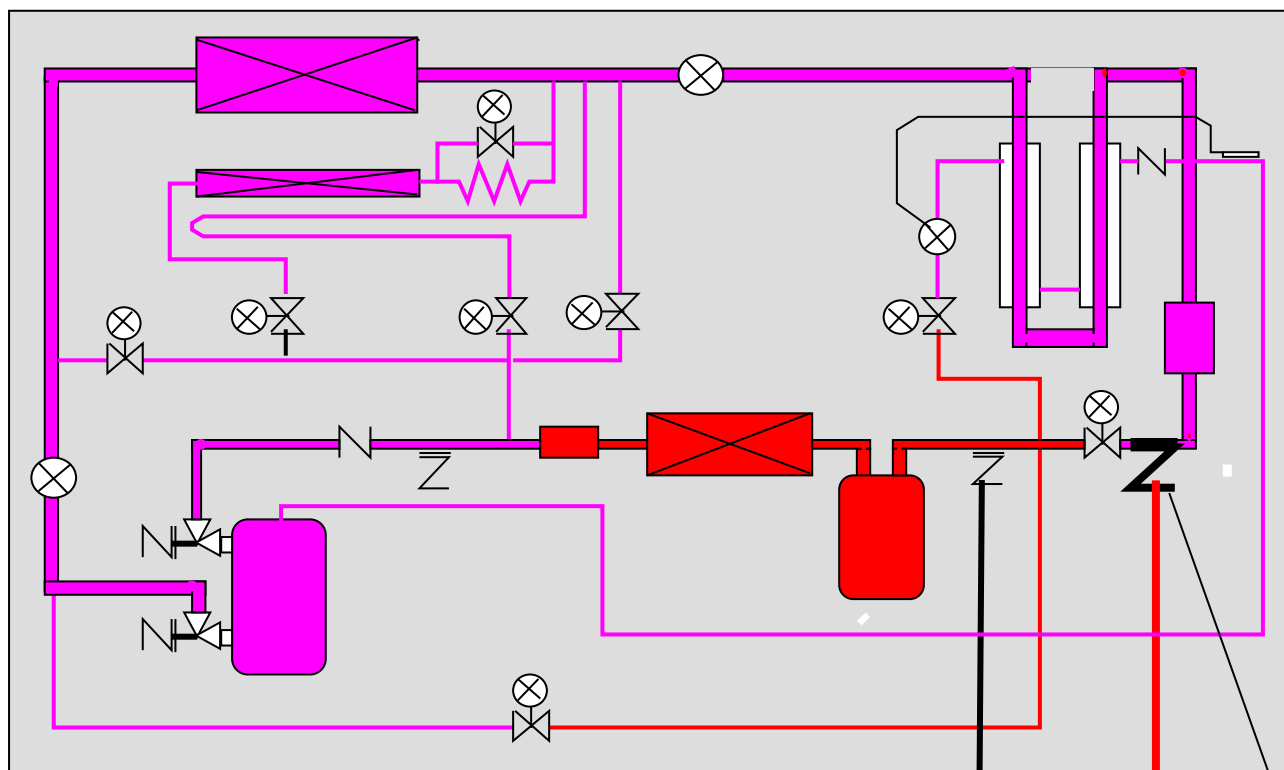
REFRIGERANT CHARGING, STEP 1



REFRIGERANT CHARGING, STEP 2



REFRIGERANT CHARGING, STEP 3



1. Operate automatic pump down.
2. Stop the automatic pump down when compressor stops during the operation.

