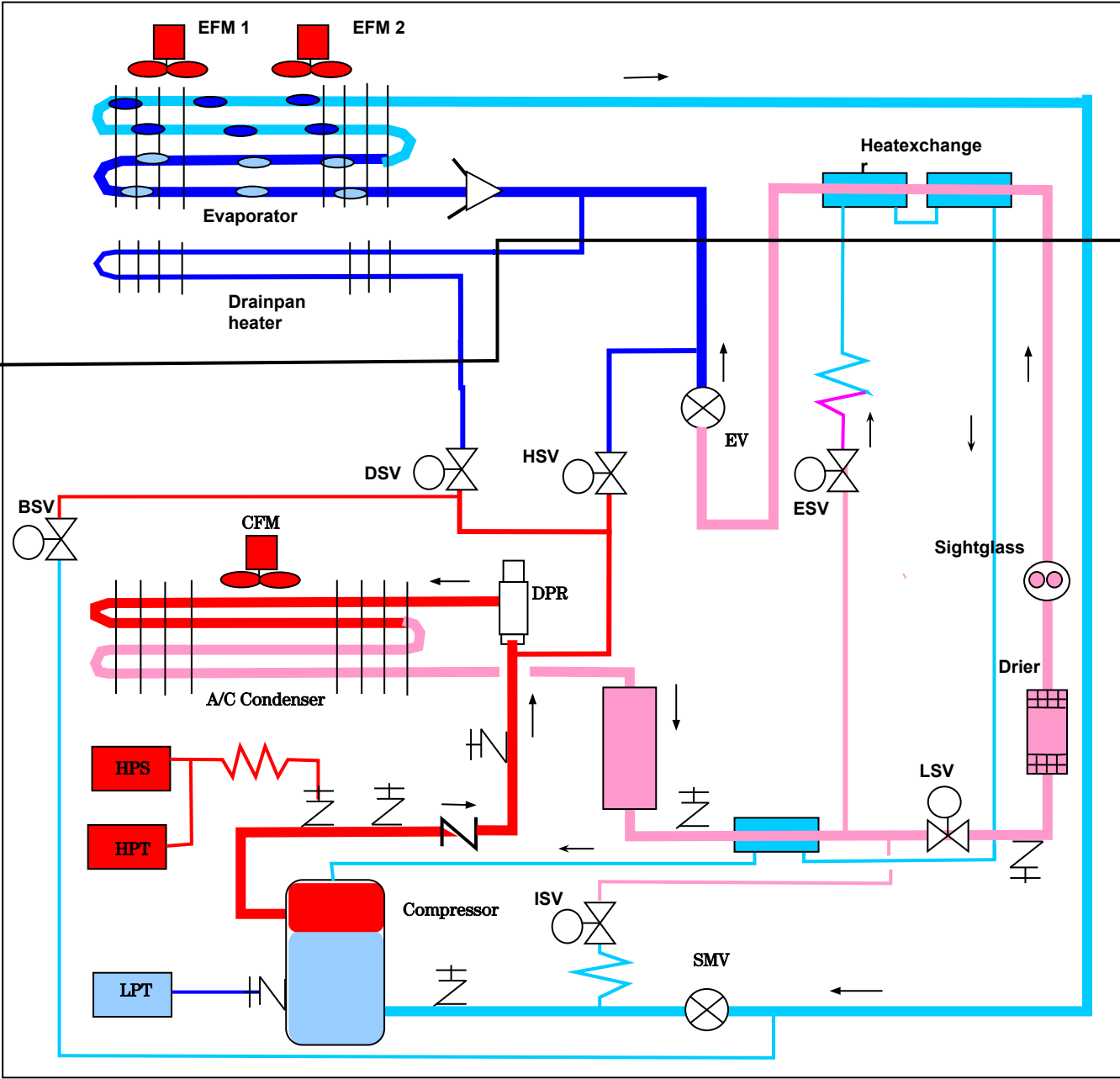




# LXE10E

## PIPING DIAGRAM

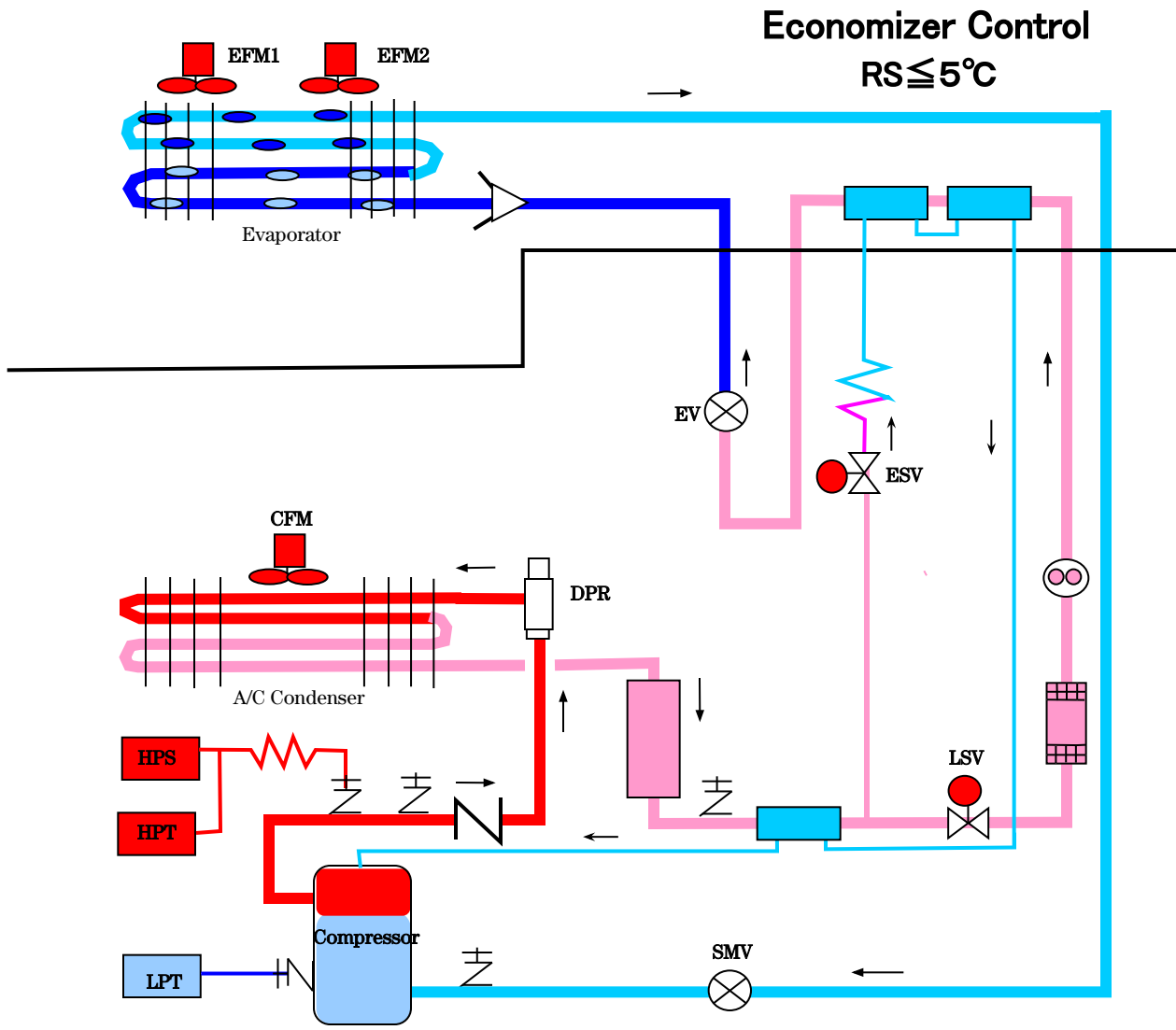
- **FROZEN & PULL-DOWN Operation**
- **CHILLED & P.FROZEN Operation**  
in Capacity Control
- **DEFROST Operation**





# **FROZEN & PULL-DOWN Operation**

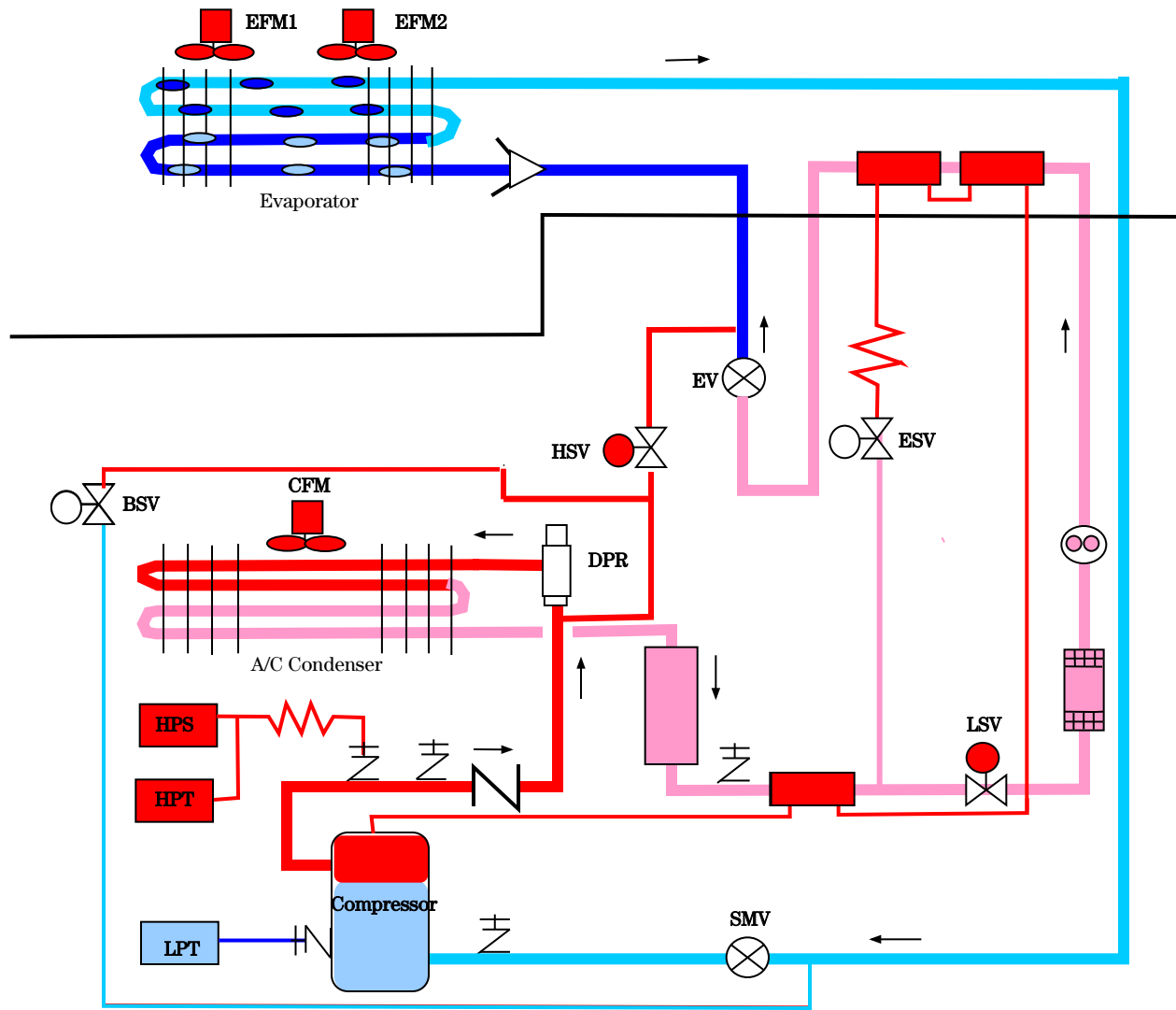
# FROZEN & PULL-DOWN Operation





# **CHILLED & P.FROZEN Operation in Capacity Control**

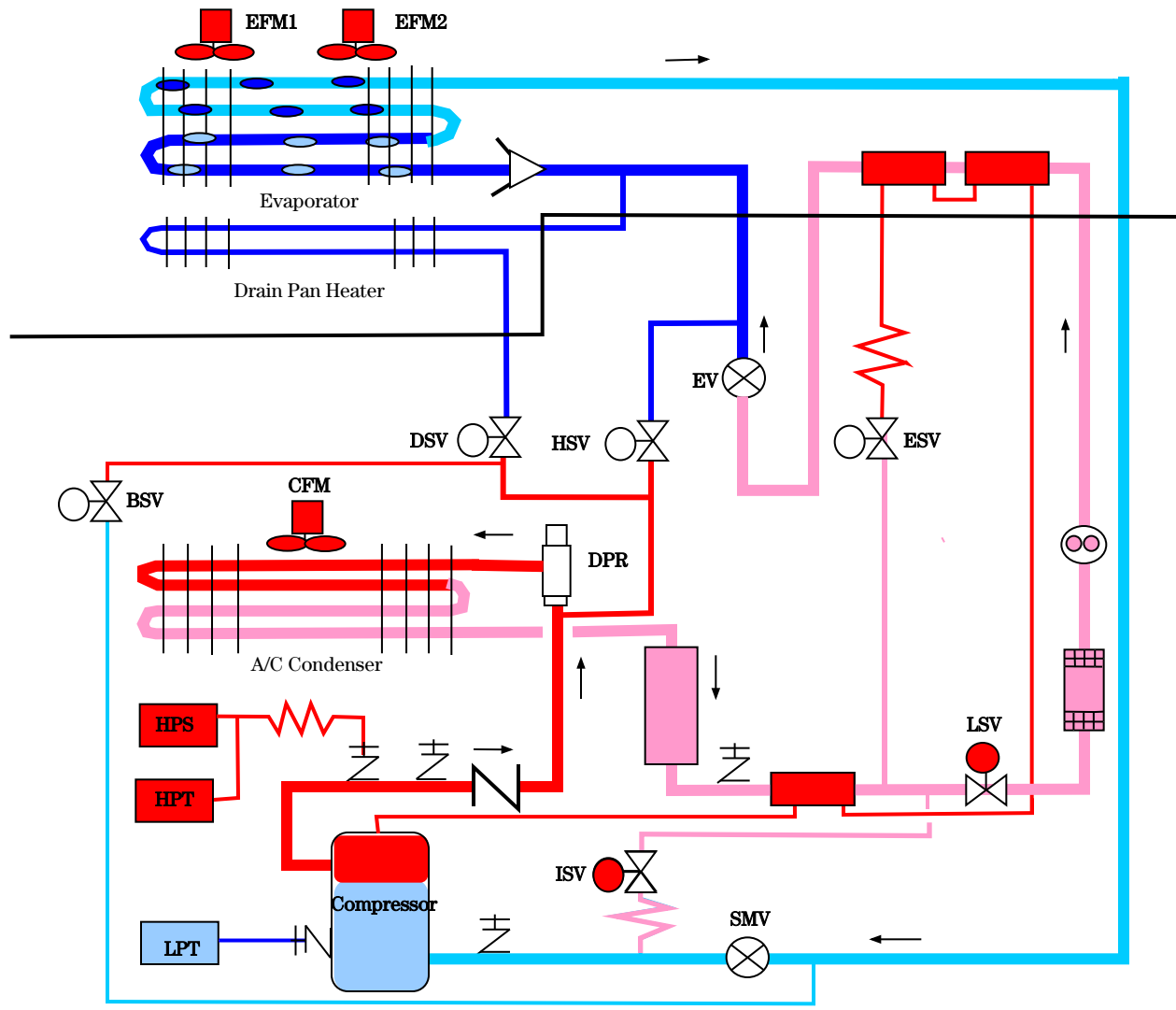
# CHILLED & P.FROZEN Operation in Capacity Control





# Injection Control

# Injection Control







# DEFROST Operation

# DEFROST Operation

Release Control  
CFM: OFF  $\leq$  HPT 1150 kPa

