

What can you find about Russia
in Engineering Village 2 ?

Что вы можете найти о России
в Engineering Village 2



Содержание презентации

- Что такое Engineering Village 2
- Compendex, INSPEC
- Российское наполнение (журналы, издательства, статьи)
- Материалы, опубликованные на русском в EV2
- Как искать и находить...
- Предложение Neikon по Compendex & INSPEC

Что интегрировано в EV2 ?

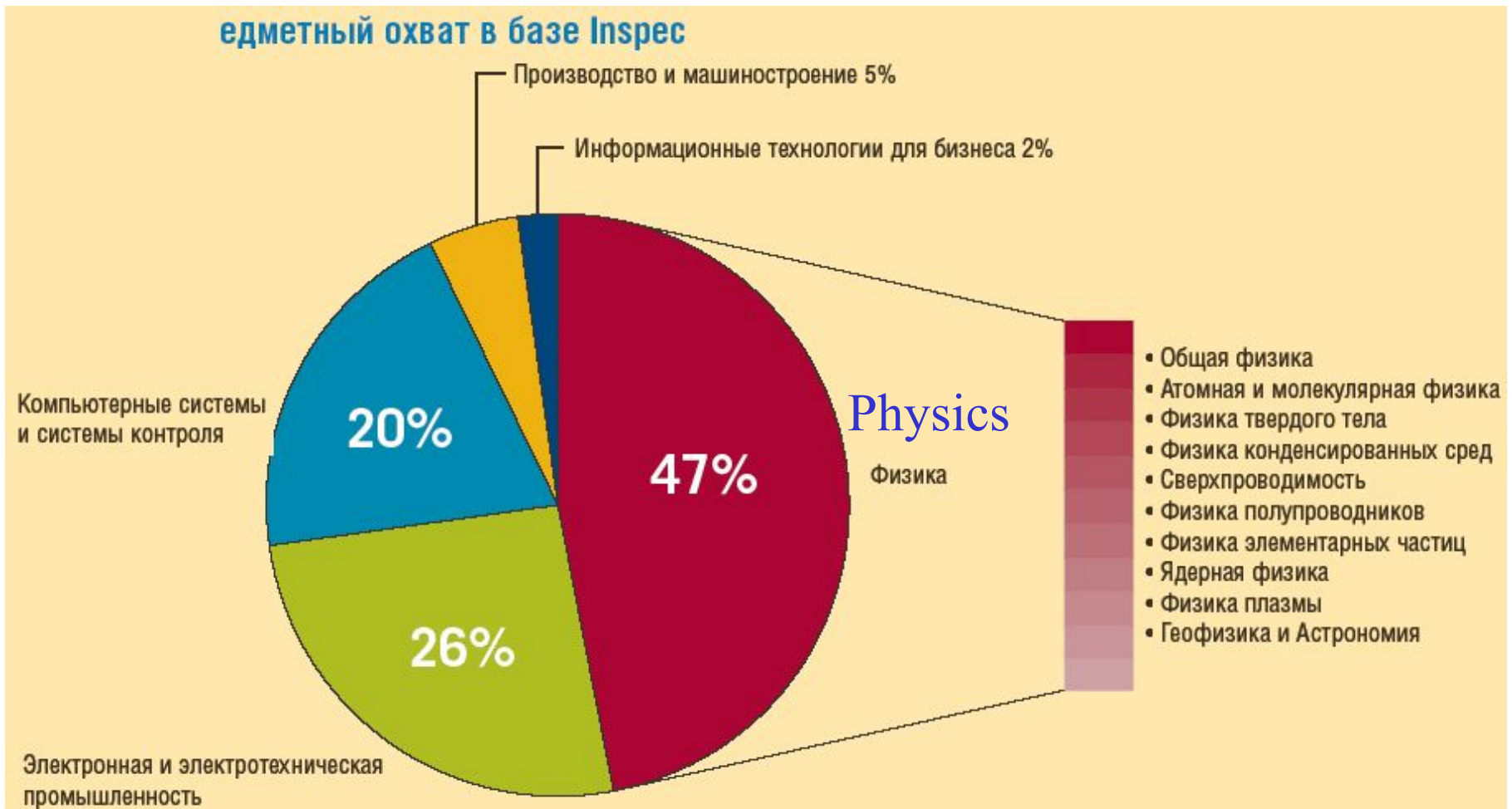
- Compendex – инженерно-техническая база
- INSPEC – электронно-физическая база
- Thesaurus для Compendex & INSPEC
- NTIS – база научных госотчетов
- Referex Engineering – полнотекстовые справочники
- CRC Press Handbooks – полнотекстовые справочники
- Патенты – USPTO and Espacenet

Что такое INSPEC ?

Лидирующая база по Физике, Электронике, Компьютерам и ИТ

Издается IEE: 3500 журналов, 1500 материалов конференций

8 млн записей с 1969+ Архивы INSPEC 1896-1968



Много ли российских источников в INSPEC?

- 70 журналов
- 20.000 статей написанных авторами из России только в 2003 & 2004
- 10.000 статей написанных авторами из Белоруссии, Украины, Узбекистана только в 2003 & 2004

Примеры издательств и журналов в INSPEC

PUBLISHER
Atomnaya Energiya
Belorusskij Dom Pechati
Energoatomizdat
Energoprogress
FAN
Fizicheskij Institut im.
Fiziko-Tehnicoskij Institut im. A.F. Ioffe RAN
Institut Kibernetiki im. Glushkova
Institut mekhaniki NAN Ukrainy
Institute for Low Temperature Physics and Engineering
Institute of Problems of Mechanical Engineering
Izdatel'stvo Moskovskogo Universiteta
Izdatel'stvo SO RAN
Kazanskij Gosudarstvennyj Tehniceskij Universitet im.
Kievskij Politehniceskij Insitut
Kuznetskij
Latvian University
Maik Nauka
Maik Nauka Publishing / Springer SBM
Mashinostroeni
Medicsina
Metallurgiya
Metteks (OOO)
National Academy of Sciences of Ukraine
Natsional'na Akademiya Nauk Ukrainy
Nauka Ekatarinburg
Nauka i Tekhnika
Nauka, Moscow
Naukova Dumka
Nizhegorodskij State University
Radio i swyaz'
Radio i swyaz'
Russian Academy of Sciences
VSV Co. Ltd.
Zakhidno-Ukrains'ke Fizychno Tovarystvo
Zinatne

TITLE
Atomnaya Energiya
Izvestiya Vysshikh Uchebnykh Zavedenii, Energetika i Elektrichestvo
Gidrotekhnicheskoe Stroitel'stvo
Geliotekhnika
Kratkie Soobshcheniya po Fizike
Fizika i Tekhnika Poluprovodnikov
Upravlyayushchie Sistemy i Mashiny
Prikladnaya Mekhanika
Fizika Nizkikh Temperatur
Reviews on Advanced Materials Science
Vestnik Moskovskogo Universiteta, Seriya 3 (Fizika i Avtometriya)
Izvestiya Vysshikh Uchebnykh Zavedenii, Aviatsionnaya i Kosmicheskaya Tekhnika
Izvestiya Vysshikh Uchebnykh Zavedenii, Radioelektronika i Avtomatika
Radiotekhnika
Avtomatika i Vychislitel'naya Tekhnika
Elektrokhimiya
Neorganicheskie Materialy
Avtomatizatsiya i Sovremennye Tekhnologii
Meditsinskaya Tekhnika
Zavodskaya Laboratoriya
Ogneupory
Sverkhverdye Materialy
Metallofizika i Noveishie Tekhnologii
Rasplavy
Trenie i Iznos
Radiatsionnaya Biologiya Radioekologiya
Poroshkovaya Metallurgiya
Izvestiya Vysshikh Uchebnykh Zavedenii, Radiofizika i Elektrosvyaz
Elektrosvyaz
Kvantovaya Elektronika, Moskva
Regular and Chaotic Dynamics
Physics of Low-Dimensional Structures
Journal of Physical Studies
Magnitnaya Gidrodinamika

Что такое Compendex ?

Лидирующая база по инженерно-физическим специальностям

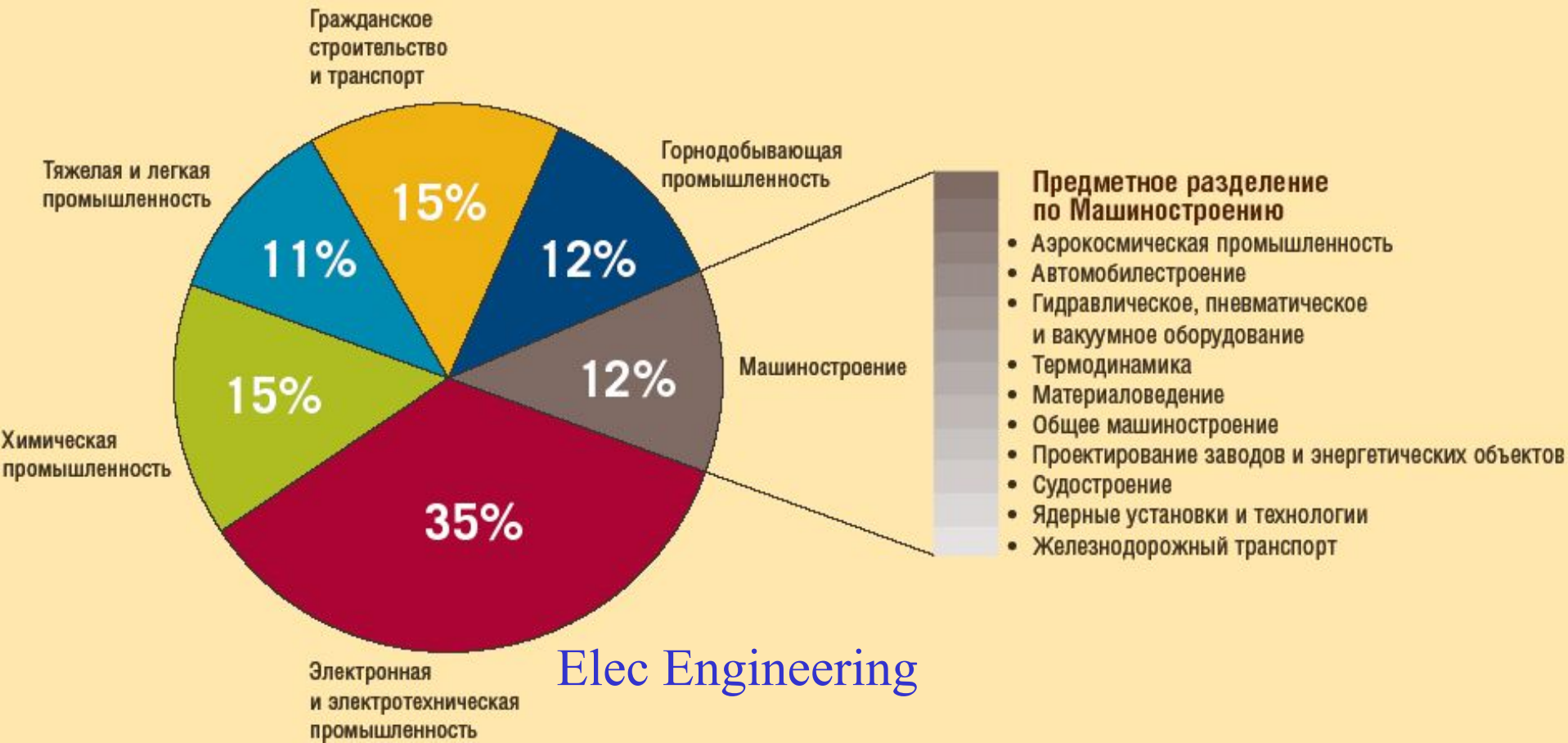
Издается Эльзевиром:

5000 журналов, 1500 материалов конференций

8 млн записей с 1969+

Архивы: 1884-1968, 1.8 млн

Предметный охват в Compendex



Объем материала из России в Compendex

- 130 журналов: 30 на английском, 100 на русском
- 40.000 статей, написанных авторами из России только в 2003 & 2004
- 16.000 статей написанных авторами из Белоруссии, Украины, Узбекистан только в 2003 & 2004

Примеры издательств в Compendex

PUBLISHER	
Kuznetskij	Akademiya Nauk Moldavskoi S.S.R.
Lad'ya	Atomnaya Energiya
Latvian University	Energoatomizdat
Leidykla Technika	Energoprogress
Maik Nauka	EPE Association
Mashinostroeni	European Business Press
Mashinostroenie	FAN
Medsina	Fizicheskij Institut im.
Metallurgiya	Fiziko-Tehnicoskij Institut im. A.F. Ioffe RAN
Metteks (OOO)	Gaz-Oil Press-Servis
Ministry of Industry of Ukraine	Gylym
National Academy of Sciences	IAPC Nauka/Interperiodica
National Academy of Sciences of Ukraine	Institut Elektrosvarki im.
Nauka	Institut Elektrosvarki im.
Naukova Dumka	Institut Elektrovarki im E.O. Patona NAN Ukrainy
Neft'i gaz	Institut Kibemetiki im. Glushkova
Nizhegorodskij State University	Institut mekhaniki NAN Ukrainy
Novye Tekhnologii	Institute for Low Temperature Physics and Engineering
Otdel Informatiki VNISV	Institute of Problems of Mechanical Engineering
Paperloop	Institute of Strength Physics and Material Science
Plastmassy	Internet Inzhiniring
Promyshlennaya Bezopasnost' (NTTs)	International Railway Congress Association
Radio i svyaz'	International Union of Public Transport
RAN	Izdatel'skoe Predpriatie Redakcii zurnala 'Radiotekhnika'
Rossiiskaya Akademia Nauk	Izdatel'stvo
Ruda i metally	Izdatel'stvo Mashinostroenie
Ruda i metally (Izdatel'skij dom)	Izdatel'stvo Moskovskogo Instituta Stali i Splavov
Sankt-Petersburgskii Universitet	Izdatel'stvo Moskovskogo Universiteta
Strojizdat	Izdatel'stvo Sankt-Peterburgskogo
Strojmaterialy	Izdatel'stvo SO RAN
TEZA	Kauchuk i Rezina
Ugol'	Kaunas University of Technology
VIMI	Kazanskij Gosudarstvennyj Tekhnicheskij Universitet im.
Zinatne	Khimiya
Kontakt-Inform	Kievskij Politeknicheskij Insitut

Примеры журналов в Compendex

TITLE	TITLE	TITLE
Biochemistry (Moscow)	Ogneupory i Tekhnicheskaya Keramika	Crystallography Reports
Zhurnal Obshchei Khimii	Osnovaniya, Fundamenty i Mekhanika Grun	Instruments and Experimental Techniques
Geochemistry International	Plasticheskie Massy: Sintez Svoystva Perer	Programming and Computer Software
Colloid Journal	Poverkhnost Rentgenovskie Sinkhronnye i N	Polymer Science - Series C
Russian Journal of Coordination Chemistry/Koordin	Pribory i Sistemy Upravleniya	Russian Microelectronics
Petroleum Chemistry	Problemy Mashinostroeniya i Nadezhnosti	Materials Physics and Mechanics
Russian Journal of Electrochemistry	Promyshlennoe i Grazhdanskoe Stroitel'stv	Reviews on Advanced Materials Science
High Temperature	Radiotekhnika	Journal of Experimental and Theoretical Physic
Journal of Analytical Chemistry	Rasplav	Problems of Information Transmission
Avtomatizatsiya i Sovremennye Tekhnologii	Rossiyskij Khimicheskij Zhurnal (Zhurnal Ro	Konstruktsii iz Kompozitsionnykh Materialov
Avtometriya	Kratkie Soobshcheniya po Fizike	Electromagnetic Waves and Electronic System
Avtomobil'naya Promyshlennost	Stal'	Fizicheskaya Mezomekhanika
Beton i Zhelezobeton	Standarty i Kachestvo	Fizika i Tekhnika Poluprovodnikov
Bezopastnost' Truda v Promyshlennosti	Stroitel'nye i Dorozhnye Mashiny	Mikrosistemnaya Tekhnika
Elektrichestvo	Stroitel'nye Materialy	Tekhnicheskaya Diagnostika i Nerazrushayush
Elektrosvyaz	Tsvetnye Metally	Geliotekhnika
Fiziko-Tekhnicheskie Problemy Razrabotki Polezny	Tyazheloe Mashinostroenie	Fizika Nizkikh Temperatur (Kharkov)
Gazovaya Promyshlennost	Vestnik Moskovskogo Universita. Ser. 3 Fiz	Avtomaticheskaya Svarka
Gidrotekhnicheskoe Stroitel'stvo	Vestnik Moskovskogo Universiteta. Ser. 1 M	Fiziko-Khimicheskaya Mekhanika Materialov
Gornyi Zhurnal	Vestnik Moskovskogo Universiteta. Ser. 15	Kibernetika i Sistemnyj Analiz
Issledovanie Zemli iz Kosmosa	Problemy Upravleniya I Informatiki (Avtomat	Metallurgicheskaya i Gornorudnaya Promyshler
Izvestiya Akademii Nauk. Mekhanika Zhidkosti I Ga	Radiatsionnaya Biologiya. Radioekologiya	Poroshkovaya Metallurgiya
Izvestiya Akademii Nauk. Energetika	Vestnik Sankt-Peterburgskogo Universiteta	Prikladnaya Mekhanika
Izvestiya Akademii Nauk. Ser. Fizicheskaya	Atomnaya Energiya	Problemy Spetsial'noj Electrometallugii
Izvestiya Vysshikh Uchebnykh Zavedenij. Aviatson	Biokhimiya	Sverkhтвердые Materialy
Izvestiya Vysshikh Uchebnykh Zavedenij. Radioelek	Elektrokhiimiya	Upravlyayushchie Sistemy i Mashiny
Izvestiya Vysshikh Uchebnykh Zavedenij. Radiofizik	Energetik	Ukrainskij Khimicheskij Zhurnal
Izvestiya Vysshikh Uchebnykh Zavedenij, Gornyi Zh	Kauchuk i Rezina	Doklady Akademii Nauk
Izvestiya Vysshikh Uchebnykh Zavedenij. Tsvetnaya	Khimicheskaya Fizika	EPE Journal (European Power Electronics and
Khimicheskie Volokna	Khimicheskaya Promyshlennost'	PPI This Week
Khimicheskoe I Neftegazovoe Mashinostroenie	Mekhanizatsiya Stroitel'stva	Public Transport International
Khimiya i Tekhnologiya Topliv i Masel	Promyshlennaya Energetika	Bulletin de la Societe Royale des Sciences de
Khimiya i Tekhnologiya Vody	Svarochnoe Proizvodstvo	Microwave Engineering Europe
Khimiya Tverdogo Topliva	Ugol'	Rail International
Koks i Khimiya	Uspekhi Khimii	Revue HF Tijdschrift
Koordinatsionnaya Khimiya	Zavodskaya Laboratoriya. Diagnostika Mate	Avtomatika i Vychislitel'naya Tekhnika
Kuznechno-Shtampovochnoe Proizvodstvo (Obrabot	Automation and Remote Control	Magnitnaya Gidrodinamika
Kvantovaya Elektronika	Protection of Metals	Kompleksnoe Ispol'zovanie Mineral'nogo Syr'ya
Lakokrasochnye Materialy i Ikh Primenenie	Theoretical Foundations of Chemical Engine	Elektronnaya Obrabotka Materialov
Litejnoe Proizvodstvo	Russian Journal of Nondestructive Testing	Journal of Civil Engineering and Management
Meditsinskaya Tekhnika	Glass Physics and Chemistry	Journal of Environmental Engineering and Lands
Metallurg	Geology of Ore Deposits	Transport
Montazhnye i Spetsial'nye Raboty v Stroitel'stve	Physics of Metals and Metallography	Aviation
Neftekhimiya	Russian Journal of Physical Chemistry	Geodesy and Cartography
Laser Physics	Acoustical Physics	Mechanika

Поиск в EV2: Russia



 Engineering Village 2

BETA

Easy Search Quick Search Expert Search Thesaurus eBook Search Ask an Expert Help

russia **Search** ?Help

All Compendex Inspec NTIS

Просмотр авторских страниц



Easy Search Quick Search Expert Search Thesaurus eBook Search Ask an Expert Help

Refine Search

Within results

Search

Next Page

1-25



Results Manager

Select all on page | Select range: to | Clear all on page | Clear all selections

Choose format: Citation Abstract Detailed record Clear selected records on new search

View Selections E-Mail Print Download Save to Folder

Search Results

200757 records found in Compendex, Inspec & NTIS Save Search | Create Alert | RSS ?

russia

Sort by: Relevance Date Author

Remove duplicate records from the first 500 results from: Compendex Inspec Remove Duplicates

1. Nonlinear magnetoacoustic waves in rare-earth orthoferrites

[Dorofeev, D.L.](#) (Math. Phys. Dept., Voronezh State Univ., Russia); [Pakhomov, G.V.](#); [Zon, B.A.](#) **Source:** *Physical Review E (Statistical, Nonlinear, and Soft Matter Physics)*, v 71, n 2, Feb. 2005, p 26607-1-8

Database: Inspec

[Abstract](#) | [Detailed Record](#) | [Full-text](#)

2. Switching intense laser pulses guided by Kerr-effect-modified modes of a hollow-core photonic-crystal fiber

[Zheltikova, D.A.](#) (Phys. Dept., M. V. Lomonosov Moscow State Univ., Russia); [Scalora, M.](#); [Zheltikov, A.M.](#); [Bloemer, M.J.](#); [Shneider, M.N.](#); [D'Aguanno, G.](#); [Miles, R.B.](#) **Source:** *Physical Review E (Statistical, Nonlinear, and Soft Matter Physics)*, v 71, n 2, Feb. 2005, p 26609-1-7

Database: Inspec

[Abstract](#) | [Detailed Record](#) | [Full-text](#)

3. Simple analytical model of capillary flow in an evaporating sessile drop

[Tarasevich, Y.Yu.](#) (Astrakhan State Univ., Russia) **Source:** *Physical Review E (Statistical, Nonlinear, and Soft Matter Physics)*, v 71, n 2, Feb. 2005, p 27301-1-3

Database: Inspec

Refine Results

? Help

Database

[Compendex](#) (21531)

[Inspec](#) (174019)

[NTIS](#) (5207)

Author

[Dianov, E. M.](#) (333)

[Ustinov, V. M.](#) (303)

[Fortov, V. E.](#) (301)

[Zheltikov, A. M.](#) (291)

[Ledentsov, N. N.](#) (275)

[Kopev, P. S.](#) (262)

[Ivanov, S. V.](#) (242)

[Tarasenko, V. F.](#) (241)

[Zhukov, A. E.](#) (213)

[Ivanov, A. A.](#) (207)

[more...](#)

Controlled Vocabulary

[Iii-V Semiconductors](#) (4712)

[Elemental Semiconductors](#) (4220)

[Silicon](#) (4211)



Добавление предметного термина в поиске по авторам



Easy Search

Quick Search

Expert Search

Thesaurus

eBook Search

Ask an Expert

Help

Refine Search

Within results

Search

Next Page

1-25

go

Results Manager

Select all on page | Select range: to | [Clear all on page](#) | [Clear all selections](#)

Choose format: Citation Abstract Detailed record Clear selected records on new search

[View Selections](#)

[E-Mail](#)

[Print](#)

[Download](#)

[Save to Folder](#)

Search Results

1313 records found in Compendex, Inspec & NTIS

[Save Search](#)

[Create Alert](#)

[RSS](#)

[Dianov, E. M.](#)

Sort by: Relevance [Date](#) [Author](#)

Remove duplicate records from the first 500 results from: Compendex Inspec [Remove Duplicates](#)

- 1. **Lasing parameters of ytterbium-doped fibres doped with P/sub 2/O/sub 5/ and Al/sub 2/O/sub 3/**
[Melkumov, M.A.](#) (A.M. Prokhorov Gen. Phys. Inst., Acad. of Sci., Moscow, Russia); [Bufetov, I.A.](#); [Kravtsov, K.S.](#); [Shubin, A.N.](#); [Dianov, E.M.](#)
Source: *Kvantovaya Elektronika, Moskva*, v 34, n 9, Sept. 2004
Database: Inspec
For translation info., see Detailed Record / Links
[Abstract](#) | [Detailed Record](#) | [Full-text](#)
- 2. **Moderate-power cw fibre lasers**
[Kurkov, A.S.](#) (A.M. Prokhorov Gen. Phys. Inst., Russian Acad. of Sci., Moscow, Russia); [Dianov, E.M.](#) **Source:** *Kvantovaya Elektronika, Moskva*, v 34, n 10, Oct. 2004
Database: Inspec
For translation info., see Detailed Record / Links
[Abstract](#) | [Detailed Record](#) | [Full-text](#)
- 3. **Hydrogen loading and UV-irradiation induced etch rate changes in phosphorus-doped fibers**
[Durr, F.](#) (Inst. of Appl. Opt., Swiss Fed. Inst. of Technol., Lausanne, Switzerland); [Kulik, G.](#); [Limberger, H.G.](#); [Salathe, R.P.](#); [Semjonov, S.L.](#); [Dianov, E.M.](#) **Source:** *Optics Express*, v 12, n 23, Nov. 2004

Refine Results

[? Help](#)

Database

[Compendex](#) (484)

[Inspec](#) (822)

[NTIS](#) (7)

Author

[Prokhorov, A. M.](#) (264)

[Guryanov, A. N.](#) (229)

[Medvedkov, O. I.](#) (125)

[Bubnov, M. M.](#) (122)

[Khopin, V. F.](#) (115)

[Kurkov, A. S.](#) (112)

[Plotnichenko, V. G.](#) (104)

[Devyatykh, G. G.](#) (104)

[Vasiliev, S. A.](#) (86)

[Neustruev, V. B.](#) (75)

[more...](#)

Controlled Vocabulary

[Optical Fibres](#) (344)

[Optical Glass](#) (128)

[Refractive Index](#) (128)



[✕ Dianov, E. M.](#) > [✕ Optical Fibres](#) > [✕ Silicon Compounds](#)

BETA

Easy Search

Quick Search

Expert Search

Thesaurus

eBook Search

Ask an Expert

Help

Refine Search

Within results

Search

Next Page

1-25

go

Results Manager

Select all on page | Select range: to [go](#) | [Clear all on page](#) | [Clear all selections](#)

Choose format: Citation Abstract Detailed record Clear selected records on new search

[View Selections](#)

[E-Mail](#)

[Print](#)

[Download](#)

[Save to Folder](#)

Search Results

31 records found in Compendex, Inspec & NTIS

[Save Search](#)

[Create Alert](#)

[RSS](#) ?

[✕ Dianov, E. M.](#) > [✕ Optical Fibres](#) > [✕ Silicon Compounds](#)

Sort by: [▼ Relevance](#) [Date](#) [Author](#)

Remove duplicate records from the first 500 results from: Compendex Inspec [Remove Duplicates](#)

1. **Photosensitivity of germanosilicate fibres and preforms doped with nitrogen inhomogeneously over the cross section**

[Yatsenko, Yu.P.](#) (D.V. Skobel'syn Inst. of Nucl. Phys., M.V. Lomonosov Moscow State Univ., Russia); [Mashinsky, V.M.](#); [Medvedkov, O.I.](#); [Sazhin, O.D.](#); [Dianov, E.M.](#); [Khopin, V.F.](#); [Vechkanov, N.N.](#); [Gur'yanov, A.N.](#) **Source:** *Kvantovaya Elektronika, Moskva*, v 33, n 3, March 2003, p 275-80

Database: Inspec

For translation info., see Detailed Record / Links

[Abstract](#) | [Detailed Record](#) | [Full-text](#)

2. **Thermal effect of stimulated Raman scattering in silica optical fibers**

[Biriukov, A.S.](#) (Gen. Phys. Inst., Acad. of Sci., Moscow, Russia); [Dianov, E.M.](#) **Source:** *Advances in fiber optics. Selected research papers on advances in fiber optics 1998-1999 (SPIE Vol.4083)*, 2000, p 81-8

Database: Inspec

[Abstract](#) | [Detailed Record](#)

3. **Absorption and luminescence properties of Cr/sup 4+/-doped silica fibres**

[Dvoirin, V.V.](#) (Gen. Phys. Inst., Acad. of Sci., Moscow, Russia); [Dianov, E.M.](#); [Mashinskii, V.M.](#); [Neustruev, V.B.](#); [Gur'yanov, A.N.](#); [Laptev, A.Yu.](#); [Umnikov, A.A.](#); [Yashkov, M.V.](#); [Vorob'ev, N.S.](#) **Source:** *Kvantovaya Elektronika, Moskva*, v 31, n 11, Nov. 2001, p 996-8

Refine Results

[? Help](#)

Database

[Inspec](#) (31)

Author

[Golant, K. M.](#) (9)

[Guryanov, A. N.](#) (5)

[Niay, P.](#) (5)

[Medvedkov, O. I.](#) (5)

[Leconte, B.](#) (5)

[Kurkov, A. S.](#) (5)

[Sokolov, V. O.](#) (5)

[Plotnichenko, V. G.](#) (4)

[Khrapko, R. R.](#) (4)

[Rybal'tovskii, A. O.](#) (4)

[more...](#)

Controlled Vocabulary

[Gamma-Ray Effects](#) (8)

[Diffraction Gratings](#) (8)

[Optical Glass](#) (7)

[Nitrogen](#) (6)

[Refractive Index](#) (5)

Ограничение поиска по языку оригинала

The image shows a search interface with the following elements:

- SEARCH FOR:** A text box containing the word "aerospace".
- Language Selection:** A dropdown menu currently showing "Russian".
- Navigation:** A menu bar with options: Easy Search (marked with a "NEW" star), Quick Search, Expert Search, Thesaurus, eBook Search, Ask an Expert, and Help.
- SELECT DATABASE:** Checkboxes for All, Compendex, Inspec, and NTIS.
- SEARCH IN:** Three dropdown menus, all set to "All fields".
- LIMIT BY:** A dropdown menu set to "Russian", and a date range selector from 1884 to 2005.
- SORT BY:** Radio buttons for "Relevance" (selected) and "Publication year", and a checkbox for "Autostemming off".
- Buttons:** "Search" and "Reset" buttons.
- Language List:** A list of languages: All languages, English, Chinese, French, German, Italian, Japanese, Russian, and Spanish.

SEARCH FOR

aerospace

Russian

- 1. **Information system with remote aerospace database**
Veselovskij, A.V. (Inst. Geol. Rudn. Mest., Petr., Min., RAN); Plate, A.N. **Source:** *Avtomatika i Telemekhanika*, n 12, 2003, p 132-142 **Language:** Russian
Database: Compendex
[Abstract](#) | [Detailed Record](#)
- 2. **On theoretical-probabilistic formalization of deciphering problem of aerospace images**
Fofanov, V.B. (Kazanskij GU) **Source:** *Avtometriya*, n 6, 2003, p 107-118 **Language:** Russian
Database: Compendex
[Abstract](#) | [Detailed Record](#)
- 3. **On automatic decoding of aerospace images. Part 1**
Krasnova, F.S.; Fofanov, V.B. **Source:** *Avtometriya*, n 6, Nov-Dec, 1993, p 79-83 **Language:** Russian
Database: Compendex
[Abstract](#) | [Detailed Record](#)
- 4. **Object-oriented analysis and design of the new generation of intelligent instrumentation systems for aerospace technologies perfection**
Egorov, A.A. (Moscow Aviation Inst., Russia); Reznik, Yu.O. **Source:** *Pribori i Sistemy Upravlenie, Kontrol, Diagnostika*, n 8, 2000, p 62-9 **Language:** Russian
Database: Inspec
[Abstract](#) | [Detailed Record](#)
- 5. **Aerospace materials use for research Racha earthquake 1991 epicentral zone in the Caucasus**
Bogachkin, B.M. (Ob"edinennyj Inst Fiziki Zemli im. O.Yu. Shmidta RAN); Nechaev, Yu.V.; Rogozhin, E.A.; Khovanskij, B.N.; Yazev, P.N. **Source:** *Issledovanie Zemli iz Kosmosa*, n 6, 1993, p 94-100 **Language:** Russian
Database: Compendex
[Abstract](#) | [Detailed Record](#)
- 6. **Adaptive control algorithm for aerospace equipment harmonic vibration checkout**
Len'kov, S.V. (Physicotech. Inst., Acad. of Sci., Izhevsk, Russia); Molin, S.M.; Kenzin, S.S. **Source:** *Tekhnika Mashinostroeniya*, n 5, 2001, p 129-31 **Language:** Russian
Database: Inspec
[Abstract](#) | [Detailed Record](#)

Ограничение поиска по организации

The image shows a screenshot of a web search interface, likely from a library or academic database. The main window is titled "Lookup - Microsoft Internet Explorer". The search bar contains "moscow state" and the selected index is "Author affiliation".

SEARCH FOR
{MOSCOW STATE UNIVERSIT

LIMIT BY
All document types
All treatment types
Discipline type not available
All languages
1884 TO 2005
1 Updates

Connect terms with: AND OR

moscow state university

- MOSCOW STATE UNIVERSITY (Compendex)
- MOSCOW STATE UNIVERSITY OF ECONOMICS, DEPT. OF STATISTICS (Compendex)
- MOSCOW STATE UNIVERSITY OF FORESTRY (Compendex)
- MOSCOW STATE UNIVERSITY OF FORESTS (Compendex)
- MOSCOW STATE UNIVERSITY OF GC, MIIGAIIK OPTICAL DEPARTMENT (Compendex)
- MOSCOW STATE UNIVERSITY OF GC, MIIGAIIK, MIIGAIIK OPTICAL DEPARTMENT (Compendex)
- MOSCOW STATE UNIVERSITY OF GC, PART-TIME FACULTY (Compendex)
- MOSCOW STATE UNIVERSITY, BELOZERSKY INST. PHYS.-CHEM. BIOL., BLDG. A (Compendex)
- MOSCOW STATE UNIVERSITY, BIOLOGICAL FAC. (Compendex)
- MOSCOW STATE UNIVERSITY, CHEMICAL FACULTY (Compendex)
- MOSCOW STATE UNIVERSITY, CHEMISTRY DEPARTMENT (Compendex)
- MOSCOW STATE UNIVERSITY, CHEMISTRY DEPARTMENT, CHAIR OF ANALYTICAL CHEMISTRY (Compendex)
- MOSCOW STATE UNIVERSITY, DEPARTMENT OF CHEMISTRY (Compendex)
- MOSCOW STATE UNIVERSITY, DEPARTMENT OF INVERTEBRATE ZOOLOGY, BIOLOGICAL FACULTY (Compendex)

Browse Indexes

- [Author](#)
- [Author affiliation](#)
- [Controlled term](#)
- [Serial title](#)
- [Publisher](#)

Ограничение поиска по организации

Search Results

160 records found in Compendex for: (({MOSCOW STATE UNIVERSITY}) WN AF), 1884-2005

[Save Search](#) | [Create Alert](#) | [RSS](#) ?

Sort by:  Relevance [Date](#) [Author](#) [Source](#) [Publisher](#)

- 1. **Nd₃(SeO₃)₄OH: The first hydroxoselenite of a rare-earth element with the Gd₃(SeO₃)₄F-type structure**
[Dityat'ev, O.A.](#) (Moscow State University); [Berdonov, P.S.](#); [Olenev, A.V.](#); [Dolgikh, V.A.](#) **Source:** *Russian Journal of Inorganic Chemistry*, v 50, n 3, March, 2005, p 335-338
Database: Compendex
[Abstract](#) | [Detailed Record](#)
- 2. **Coprecipitation and sorption of a rhodium(VI) complex on different substrates**
[Dolzhenko, V.D.](#) (Moscow State University); [Ermilov, A.Yu.](#); [Avdei, A.V.](#); [Kiselev, Yu.M.](#) **Source:** *Russian Journal of Inorganic Chemistry*, v 50, n 3, March, 2005, p 458-463
Database: Compendex
[Abstract](#) | [Detailed Record](#)
- 3. **Multistability of states of a molecular gas with the V-T relaxation time dependent on the vibrational energy**
[Trofimov, V.A.](#) (Moscow State University); [Troshchiev, Yu.V.](#) **Source:** *Optics and Spectroscopy (English translation of Optika i Spektroskopiya)*, v 98, n 1, January, 2005, p 25-30
Database: Compendex
[Abstract](#) | [Detailed Record](#) [Full-text](#)
- 4. **New potentialities of intracavity spectroscopy of matter using counterpropagating waves in a ring laser**
[Grishachev, V.V.](#) (Moscow State University); [Denisov, V.I.](#); [Zhotikov, V.G.](#); [Kuryatov, V.N.](#); [Nasedkin, E.F.](#) **Source:** *Optics and Spectroscopy (English translation of Optika i Spektroskopiya)*, v 98, n 1, January, 2005, p 47-52
Database: Compendex

Просмотр ретроспективной записи, напр., *Elektrichestvo* в 1914

[Abstract](#) | [Detailed Record](#)

E-Mail

Print

Download

Save to Folder

Record 63 from Inspec for:((russia) WN All fields), 1896-1933

Check record to add to Selected Records

63. **Determination of the international ampere and volt by aid of the silver voltameter and weston standard cell in the Russian bureau of measures and weights**

[Feringer, A.B.](#) **Source:** *Elektrichestvo*, v 35, n 13, Sept. 1914, p 260-263

Country of publication: USSR

Abstract: Up to 1908, the Clark standard cells prepared by M.V. Ivanoff had been used. Subsequently, it was resolved to investigate the properties of the Weston cell with a view to its adoption as a Government standard. The author recounts his researches into the purity and constancy of the necessary constituents. The work done by Bijl, of Amsterdam, and F. E. Smith in England on the amalgam is referred to, as well as investigations carried out in America. The construction of a number of cells in **Russia** has been very successful. Some have been brought to England and compared with the standards of the National Physical Laboratory. At the present time in the Russian Bureau there are 37 elements, the e.m.f.'s of which correspond within a hundred-thousand parts of a volt. Each three to four months all the elements are compared among themselves and with standards—for instance, Nos. 5 and 7 which were standardised with the silver voltameter both in **Russia** and at the N.P.L. in England. The following table exhibits, using No. 7 as the standard of reference, the constancy and degree of precision attained:-

$E_7 - E_x$, in volts $\times 10^{-5}$

Elements	1910	1911	1912
12	0.0	+0.3	-0.5
13	-0.6	0.0	+0.8
23	+1.4	+1.6	+1.6
24	+1.6	+1.7	+2.1
27	-0.1	+1.4	+1.5
28	+2.3	+6.5	+6.9
36	0.0	-0.4	-2.0
K_5	-	+1.0	-

Time 4377.63 secs.

A_1 4.984570 gm.

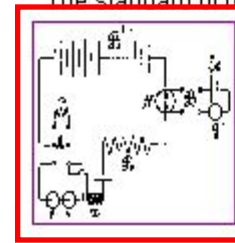
A_{11} 4.984404 gm.

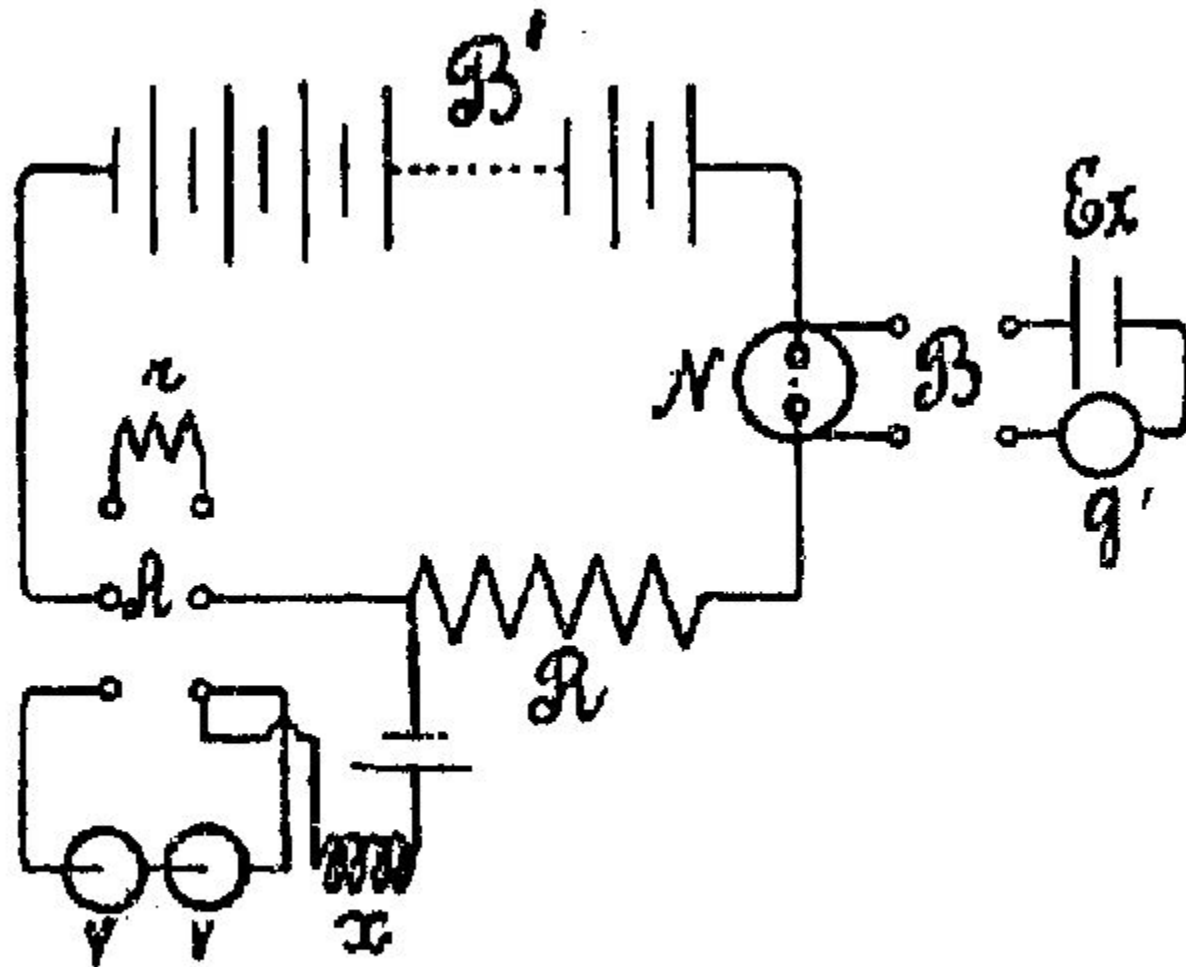
R 0.99997 ohm

E_1 1.01844 at 16.15°

E_{11} 1.01840 at 16.15°

The standard of reference on the same date, E_7 was 1.01829 volts.







Предложение консорциума Neikon

- Цены согласованы с Neikon
- Скидки до 90%
- Цены зависят от размера института
- Цена на INSPEC и Compendex
- Бесплатные тестовые доступы ВОЗМОЖНЫ

Engineering Village 2™

реферативно-полнотекстовая база данных
научно-технической информации



www.engineeringvillage2.org

Nick Turner

Elsevier Engineering Information Inc.

Nick.Turner@elsevier.com

Tel: +44 20 7611 4552

www.engineeringvillage2.org

www.crcnetbase.com

**Менеджеры по работе с
клиентами в России и СНГ:**

РФ: Олег Уткин

o.utkin@elsevier.com

РФ и СНГ: Александр
Мжельский

a.mzhelsky@elsevier.com