



Samsung Enterprise IP Solution



OfficeServ



ExpertTelecom

The next generation of IP platform is the OfficeServ T200, providing IP based wired and wireless solution for voice and data communication. OfficeServ is the ideal solution for the future and the present office because it can simultaneously support both traditional voice communication, voice over IP, IP based data communication, and wireless solutions through Wireless LAN.

Основные преимущества новой линейки OfficeServ

- Гибкость программирования станции
- Интегрированные VoIP возможности
- Организация беспроводной сети передачи голоса и данных на основе технологии IEEE 802.11b WiFi
- Появление новых системных телефонов серии KPDP, IP телефонов серии KPDP
- CTI приложения

The next generation of IP platform is the OfficeServ T200, providing IP based wired and wireless solution for voice and data communication. OfficeServ is the ideal solution for the future and the present office because it can simultaneously support both traditional voice communication, voice over IP, IP based data communication.



2006 год – конвергентные решения линейка OfficeServ 7000

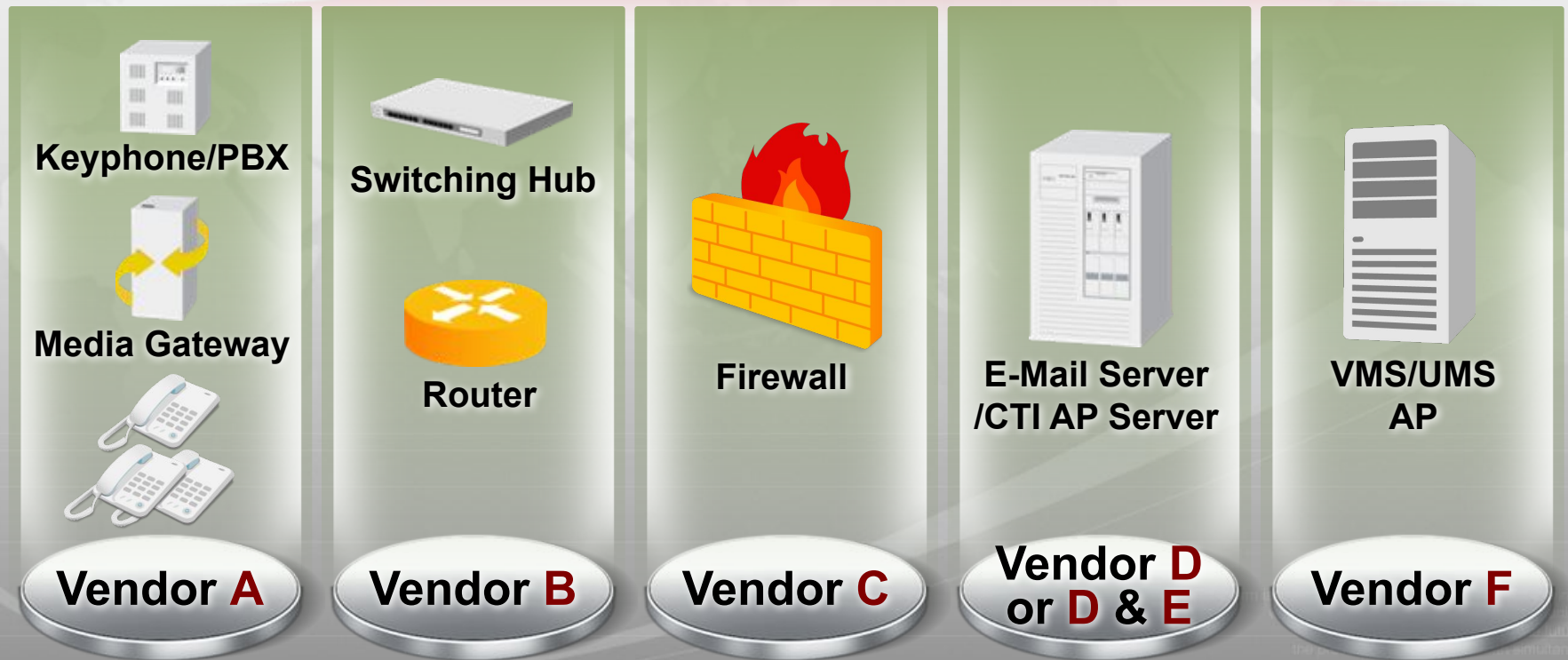
OfficeServ 7200

OfficeServ 7400

The next generation of IP platform is the OfficeServ 7000, providing IP based wired and wireless solution for voice and data communication. OfficeServ is the ideal solution for the future and the present office because it can simultaneously support both traditional voice communication, voice over IP, IP based data communication.

ExpertTelecom

Организация телекоммуникационной сети в офисе



Конвергентные решения Office Serv 7000



The next generation of IP platform... IP based wired and wireless solution for voice and data communication. OfficeServ is the ideal solution for the future and the present office because it can simultaneously support both traditional voice communication, voice over IP, IP based data communication.

OfficeServ 7200

- Двухблочная модульная система
- Voice, Data & wireless конвергентное решение
- Максимальная абонентская ёмкость -160 портов, не считая 120 IP и WLAN телефонов
- Каждая корзина поддерживает до 80 абонентских портов (Keyset/SLI)
- Ёмкость
 - Один блок с PRI – 122 порта, без PRI – 80 портов
 - Два блока с PRI – 216 портов, без PRI – 160 портов

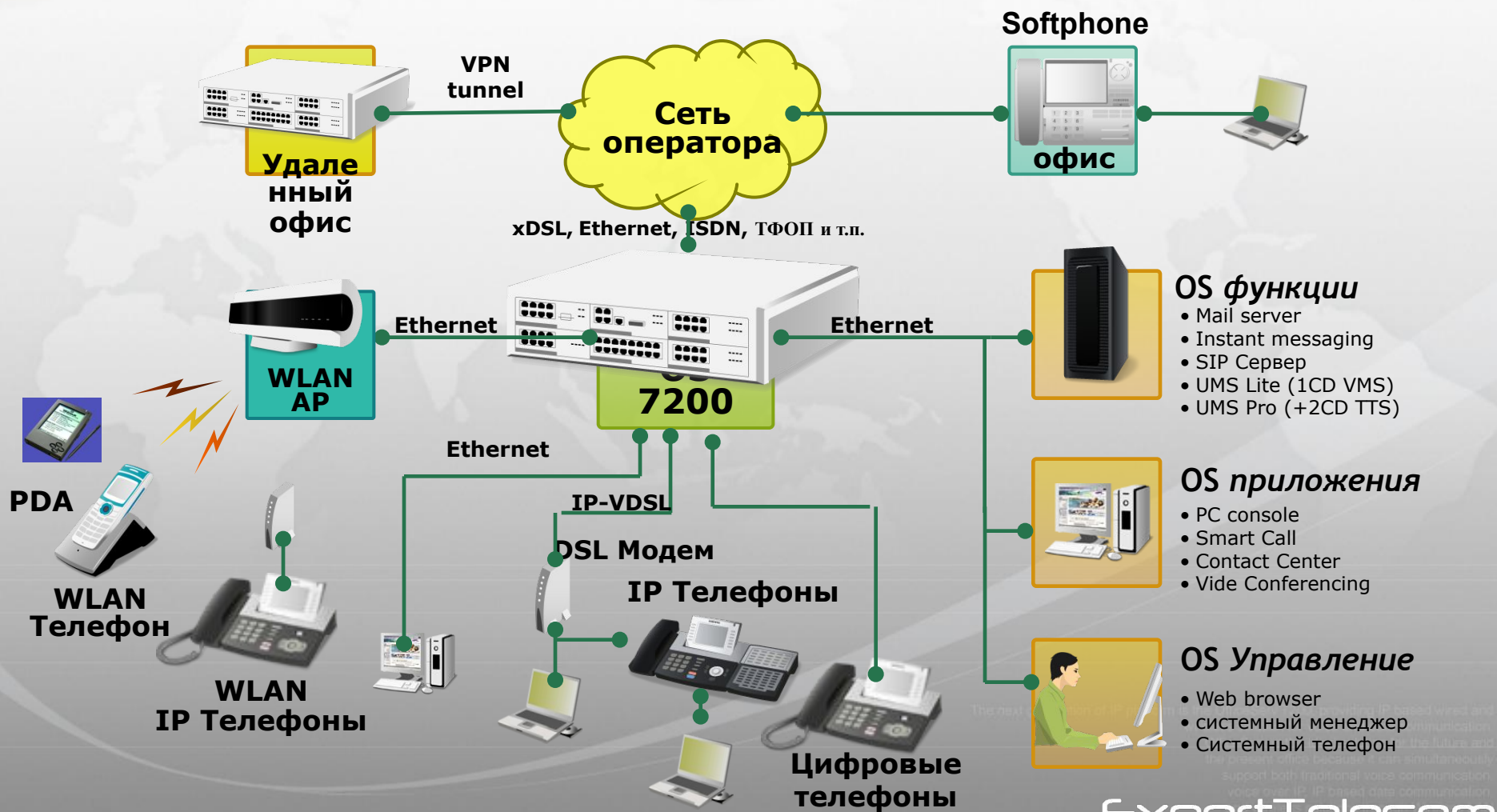
The next generation of IP platform is the OfficeServ 7200, providing IP based wired and wireless solution for voice and data communication. OfficeServ is the ideal solution for the future and the present office because it can simultaneously support both traditional voice communication, voice over IP, IP based data communication.

Новые функции

- IP маршрутизатор
- Коммутатор 2-го и 3-го уровня
- Защита: Брендмауер, VPN, пакетная фильтрация
- Гарантируемый класс обслуживания
 - Layer2 : 802.1p/q
 - Layer3 : CBQ, RTP Priority Queuing
- Подключение удалённых абонентов по VDSL
- SIP Alg
- VoIP (H.323 v4, SIP v2)
- Организация беспроводной сети передачи данных
- + весь функционал OS 500

The next generation of IP platform is the OfficeSery T200, providing IP based wired and wireless solution for voice and data communication. OfficeSery is the ideal solution for the future and the present office because it can simultaneously support both traditional voice communication, voice over IP, IP based data communication.

Интегрированная система OfficeServ



OfficeServ 7400

HDLC, Highway, Clock



Корзина состоит из 4 полок, на одной полке размещено 3 слота. В сумме корзина состоит из 12 слотов.
Максимальная ёмкость – 3 корзины, 36 слотов.

The next generation of IP platform is the OfficeServ 7200, providing IP based wired and wireless solution for voice and data communication. OfficeServ is the ideal solution for the future and the present office because it can simultaneously support both traditional voice communication, voice over IP, IP based data communication.

SP40	U-Slot 64	U-Slot 64
MP40	U-Slot 64	U-Slot 64
U-Slot 64	U-Slot 64	U-Slot 64
U-Slot 64	U-Slot 64	U-Slot 64

Main Rack

LP40	U-Slot 32	U-Slot 32
U-Slot 32	U-Slot 32	U-Slot 32
U-Slot 32	U-Slot 32	U-Slot 32
U-Slot 32	U-Slot 32	U-Slot 32

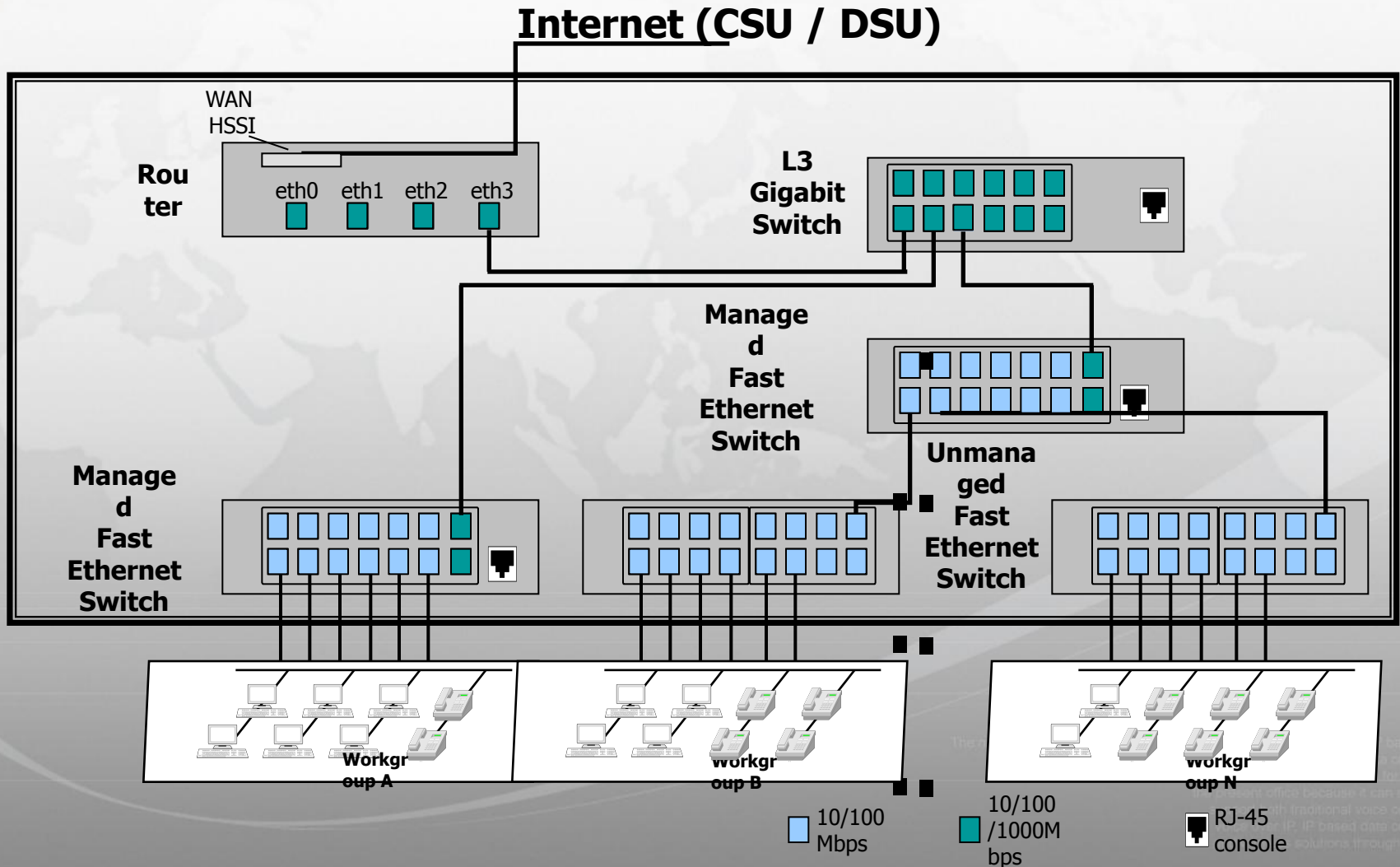
Exp Rack 1

LP40	U-Slot 32	U-Slot 32
U-Slot 32	U-Slot 32	U-Slot 32
U-Slot 32	U-Slot 32	U-Slot 32
U-Slot 32	U-Slot 32	U-Slot 32

Exp Rack 2

- OfficeServ 7400 физически может быть расширена вплоть до 1,120 портов, но на данный момент максимальная ёмкость составляет 784 порта, включая 240 виртуальных портов.

Структура модулей передачи данных



□ New Interface Boards for Data Module

Name	Description
GWIM	Gigabit WAN Interface Module (Router)
GSIM	Gigabit Switch Interface Module, L3 Gigabit Switch
GLIM-P	Gigabit Link Interface Module, L2 Gigabit Switch with PoE
LIM-P	Link Interface Module, L2 Fast Ethernet Switch with PoE * Existing LIM board do not support PoE
Stand-alone PSU	Optional Power Supply Unit. It's very useful for PoE of IP phone, large LCD phone, WLAN AP, etc. In this time, don't worry about power

Модульное исполнение OfficeServ

Любая функциональность может быть реализована по мере возникновения потребности

- Модули Аналоговых / Цифровых линий
- Модули Аналоговых / Цифровых телефонов
- Модули VoIP
- Модуль Router / VPN / DHCP / Firewall
- Модули LAN switch
- Модули WLAN
- Модули vDSL

The next generation of IP platform is the OfficeServ 1200, providing IP based wired and wireless solution for voice and data communication. OfficeServ is the ideal solution for the future and the present office because it can simultaneously support voice and IP based data communication.

OfficeServ 12



The next generation of IP platform is the OfficeServ T200, providing IP based wired and wireless solution for voice and data communication. OfficeServ is the ideal solution for the future and the present office because it can simultaneously support both traditional voice communication, voice over IP, IP based data communication, and wireless solutions through Wireless LAN.

OffiseServ 12 архитектура

<p>Базовый блок</p>	<p>Главный процессор MPC855, Память (Flash/SRAM/DRAM) Контроллеры : STC9604, CPLD - программируемая логика и др. Интерфейсы 1 DLI(2B+D) + 5SLI + 2 DLI или 2 SLI) H.323 CID Rx/Tx DSP Логика 2 порта LAN, 1 Внешний музыкальный источник Стык с ТФ ОП (4 Аналоговых линии или 2 порта BRI, 4 VoIP канала) Источник питания</p>
<p>4TRK</p>	<p>4 Аналоговых внешних линии с функцией Euro CID 1 порт с переключением линии при потере питания</p>
<p>2BRI</p>	<p>2 порта ISDN для режимов NT или TE (програмно)</p>
<p>MGI</p>	<p>4 DSP кодека + RAM, компрессия (G.723/G.729/T.38)</p>
<p>AP</p>	<p>Ethernet 10/100 Base T</p>



IEEE 802.11b



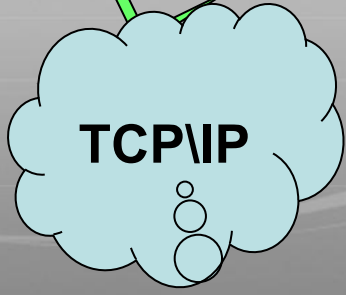
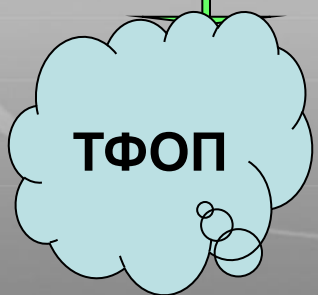
Note PC



LAN



CID



CID

**H.323
SIP**



The next generation of IP platform is the OfficeSery 1200, providing IP based wired and wireless solutions for the future office. OfficeSery is the ideal solution for the future and the present office because it can simultaneously support both traditional voice communication, voice over IP, IP based data communication, and wireless solutions through Wireless LAN.

SOHO Master



The next generation of IP platform is the OfficeServ T200, providing IP based wired and wireless solution for voice and data communication. OfficeServ is the ideal solution for the future and the present office because it can simultaneously support both traditional voice communication, voice over IP, IP based data communication.

1. Основное предназначение

- Использование беспроводных телефонов и Internet в домах и малых офисах
- Voice + LAN Convergence product with Easy & Self Installation

2. Концепции создания продукта

- Конвергенция голоса и данных
- Доступ к 2 городским линиям и возможности беспроводной IP телефонии
- Беспроводная точка доступа к LAN

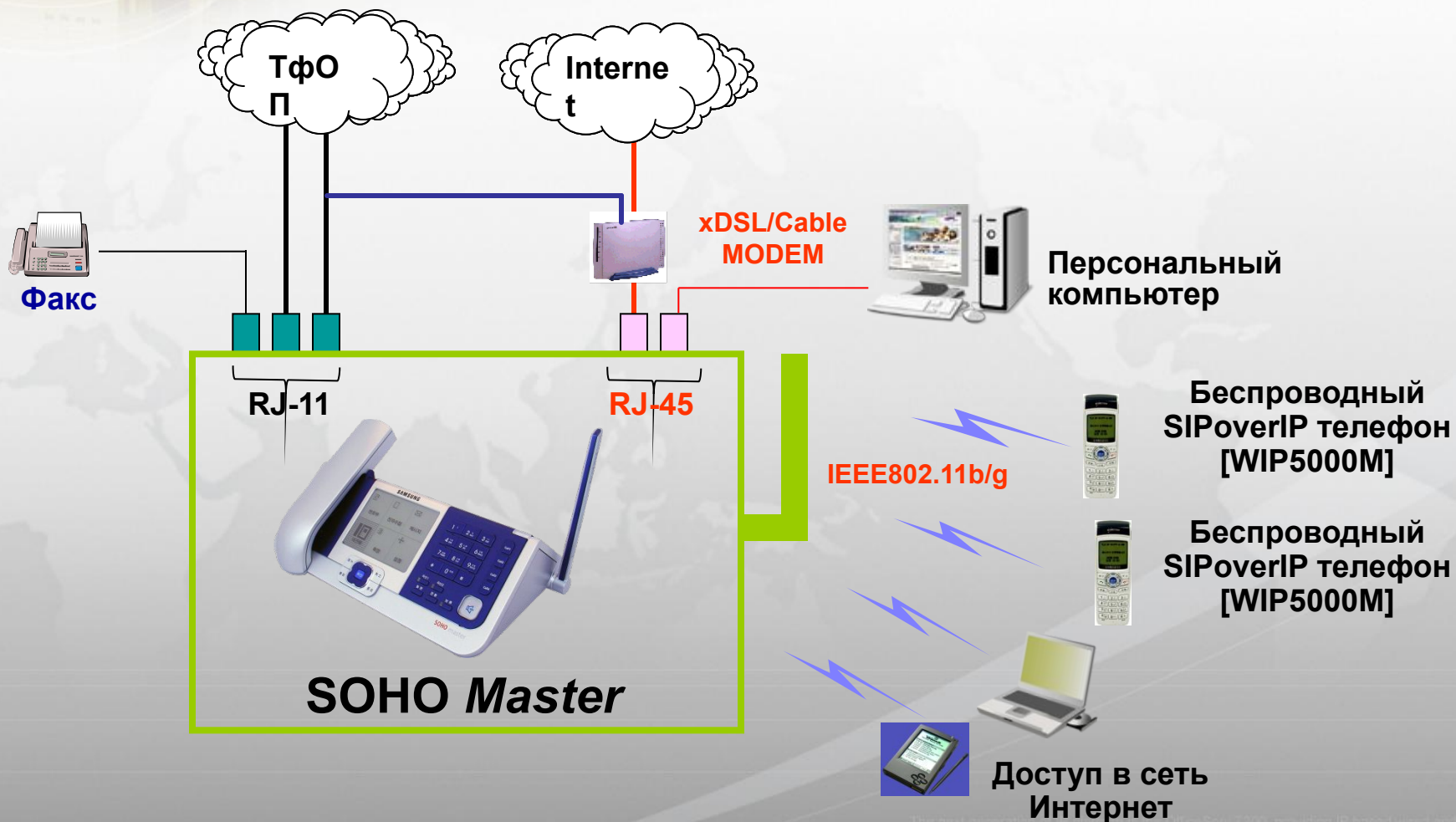


Традиционные концепции

КОНВЕРГЕНЦИЯ



Концепция конвергентности



The next generation of office telephony is here. The Samsung OfficeSery T2000, providing IP based wired and wireless solution for voice and data communication. OfficeSery is the ideal solution for the future and the present office because it can simultaneously support both traditional voice communication, voice over IP, IP based data communication.