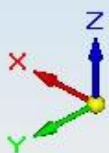
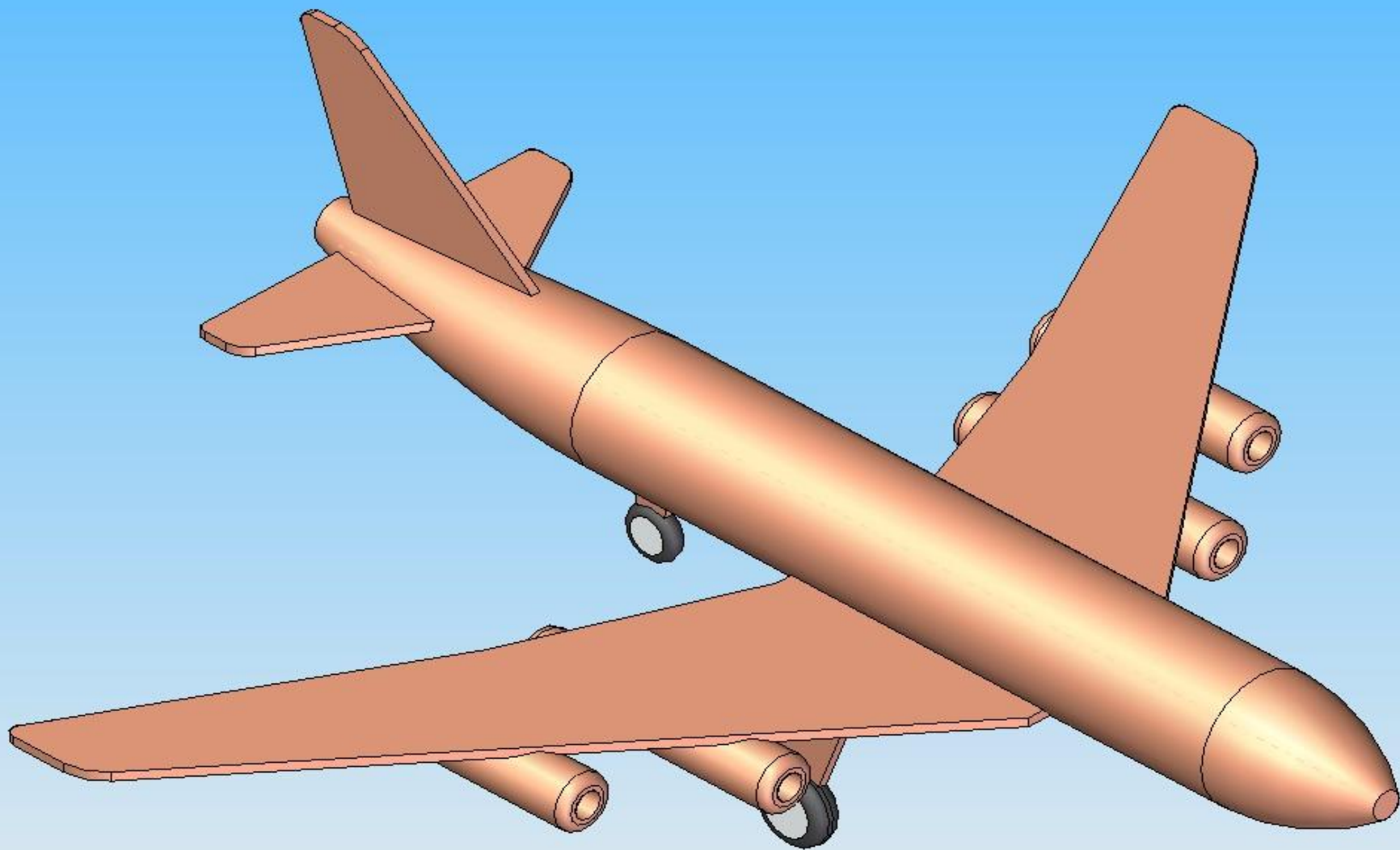
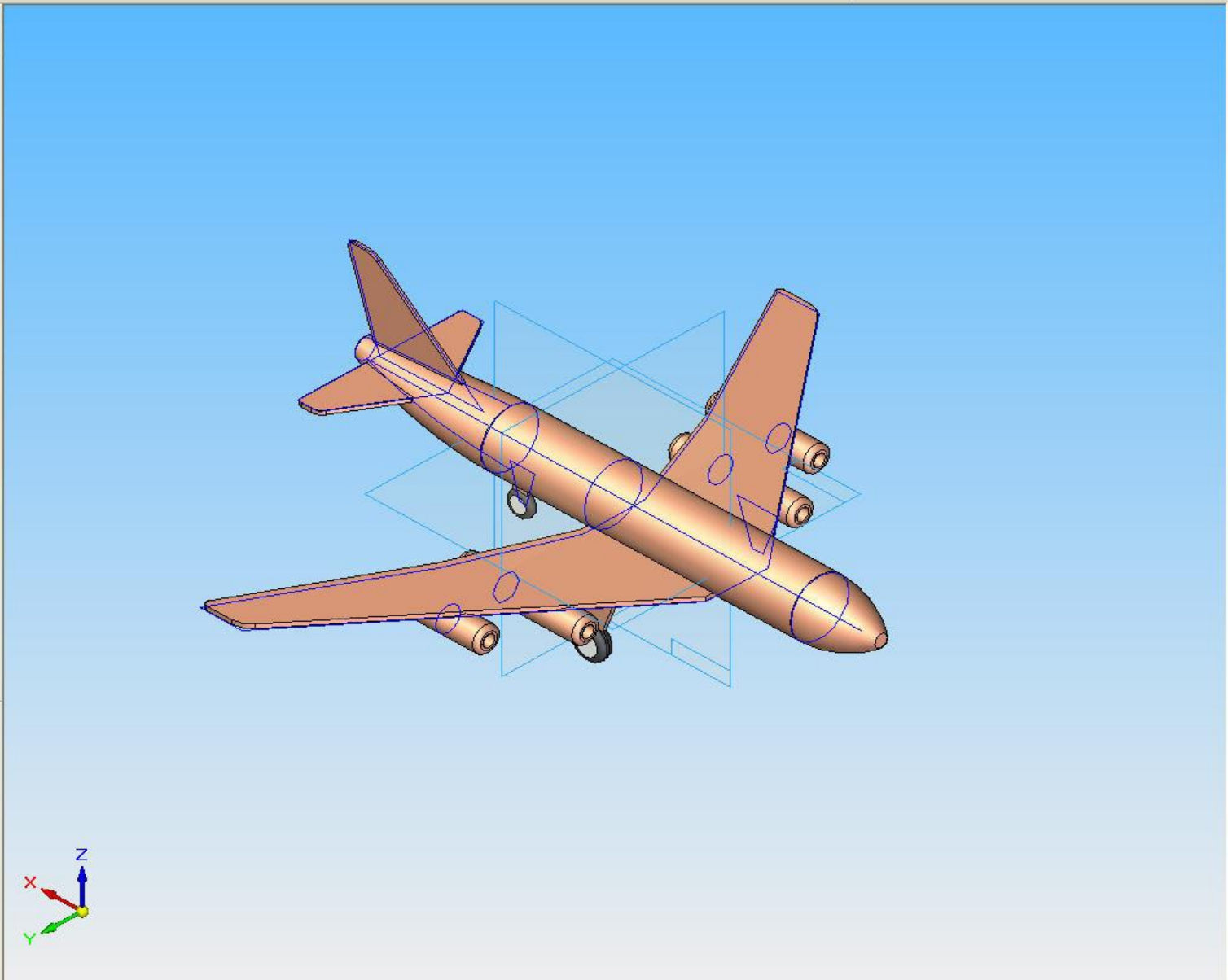


# Создание модели лайнера в Solid Edge





- Lainer 2.par
  - Top (xy)
  - Right (yz)
  - Front (xz)
  - Sketch 1
  - Sketch 2
  - Sketch 3
  - Sketch 4
  - Sketch 5
  - Sketch 6
  - Sketch 7
  - Protrusion 1
  - Protrusion 1
  - Protrusion 1
  - Sketch 8
  - Protrusion 2
  - Sketch 9
  - Protrusion 3
  - Sketch 10
  - Protrusion 4
  - Sketch 11
  - Protrusion 5
  - Mirror 8
  - Protrusion 6
  - Protrusion 7
  - Sketch 12
  - Protrusion 8
  - Sketch 13
  - Round 1
  - Round 2
  - Round 3
  - Round 4
  - Round 5
  - Round 6
  - Protrusion 9
  - Protrusion 10
  - Round 7
  - Round 8
  - Cutout 1
  - Protrusion 11
  - Round 9
  - Round 10
  - Round 11

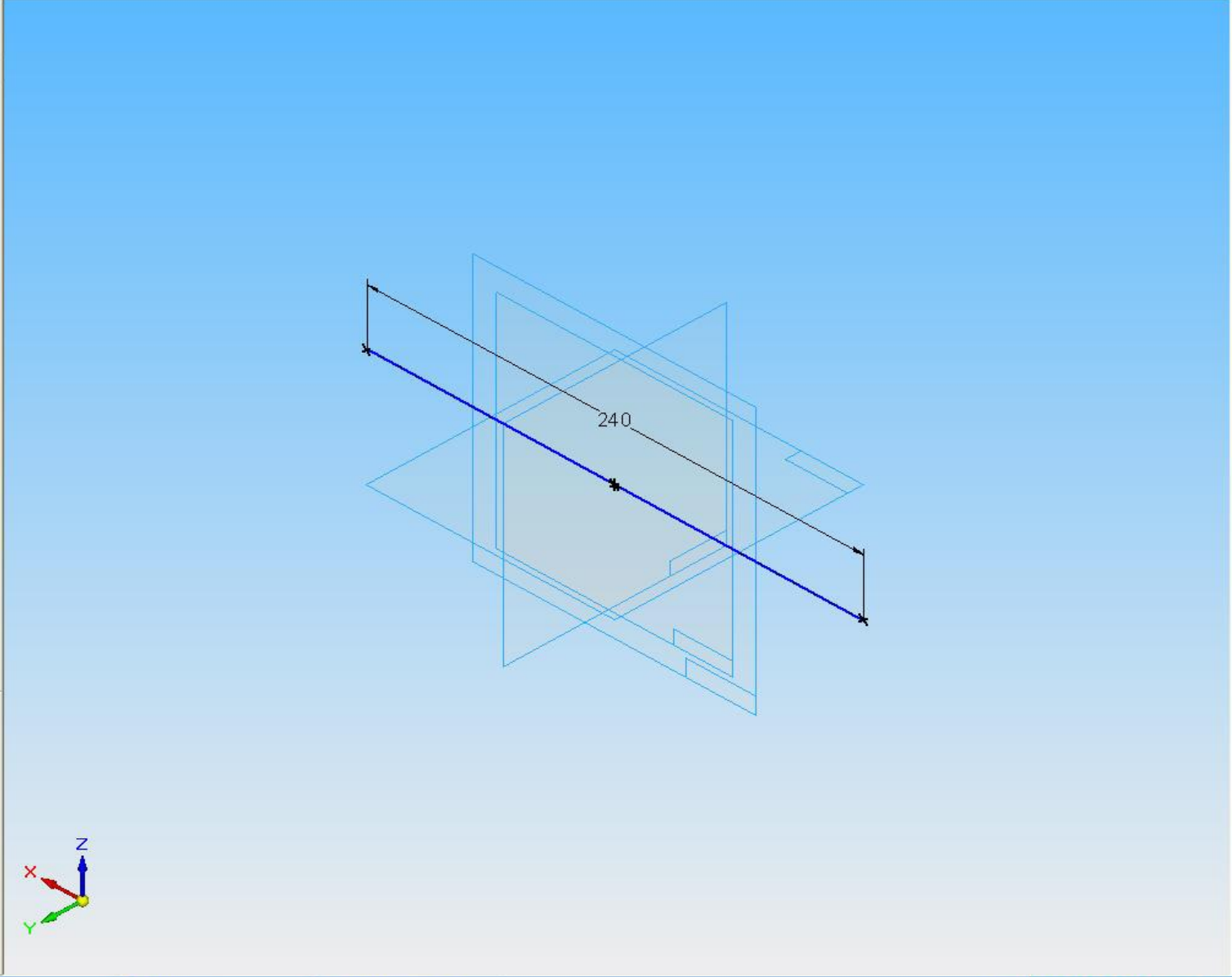




Finish Name: Sketch\_1

Click on elements to edit.

- Lainer 2.par
  - Top (xy)
  - Right (yz)
  - Front (xz)
  - Sketch 1
  - Sketch 2
  - Sketch 3
  - Sketch 4
  - Sketch 5
  - Sketch 6
  - Sketch 7
  - Protrusion 1
  - Protrusion 1
  - Protrusion 1
  - Sketch 8
  - Protrusion 2
  - Sketch 9
  - Protrusion 3
  - Sketch 10
  - Protrusion 4
  - Sketch 11
  - Protrusion 5
  - Mirror 8
  - Protrusion 6
  - Protrusion 7
  - Sketch 12
  - Protrusion 8
  - Sketch 13
  - Round 1
  - Round 2
  - Round 3
  - Round 4
  - Round 5
  - Round 6
  - Protrusion 9
  - Protrusion 10
  - Round 7
  - Round 8
  - Cutout 1
  - Protrusion 11
  - Round 9
  - Round 10
  - Round 11

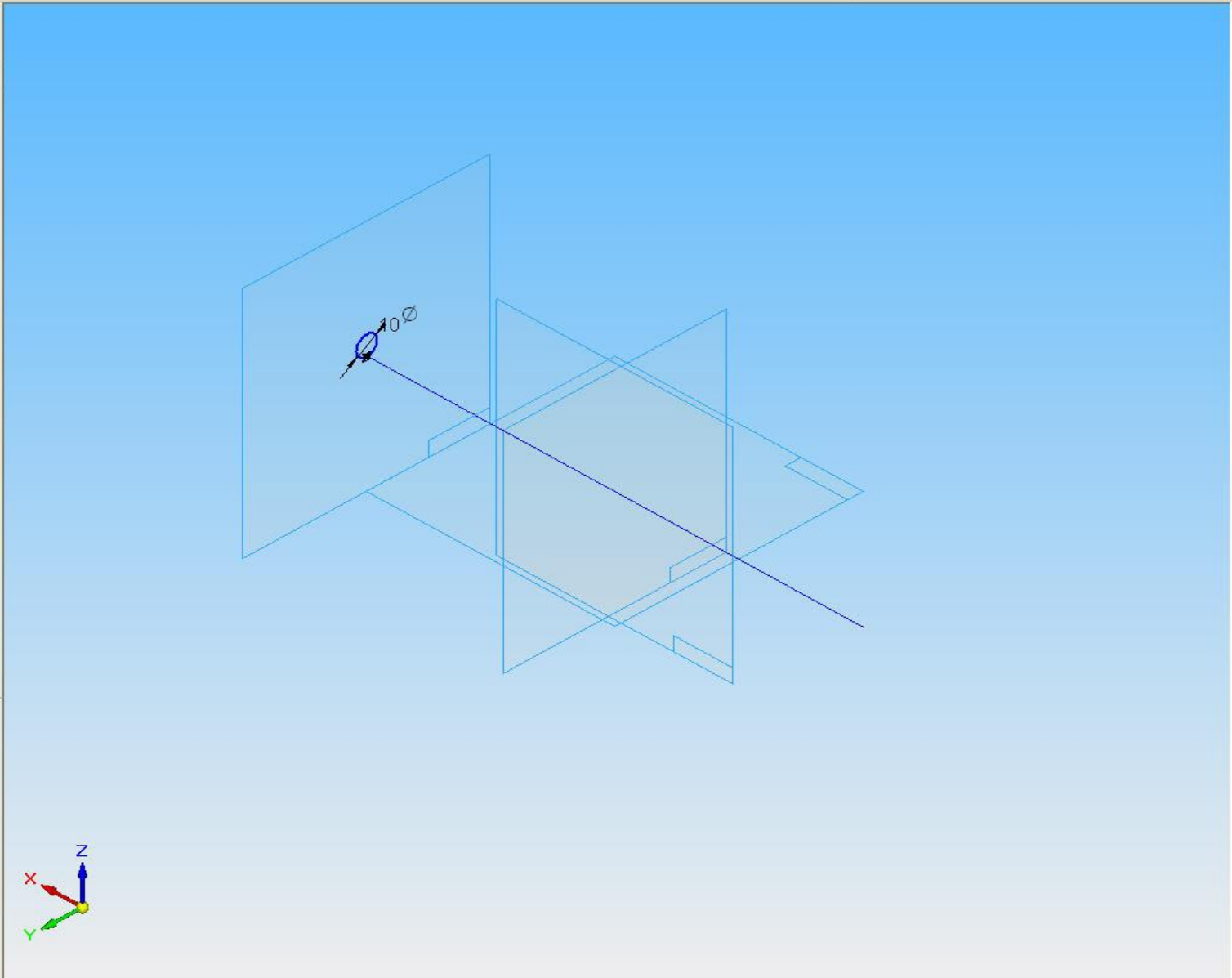




Finish Name: Sketch 2

Click on elements to edit.

- Lainer 2.par
  - Top (xy)
  - Right (yz)
  - Front (xz)
  - Sketch 1
  - Sketch 2
  - Sketch 3
  - Sketch 4
  - Sketch 5
  - Sketch 6
  - Sketch 7
  - Protrusion 1
  - Protrusion 1
  - Protrusion 1
  - Sketch 8
  - Protrusion 2
  - Sketch 9
  - Protrusion 3
  - Sketch 10
  - Protrusion 4
  - Sketch 11
  - Protrusion 5
  - Mirror 8
  - Protrusion 6
  - Protrusion 7
  - Sketch 12
  - Protrusion 8
  - Sketch 13
  - Round 1
  - Round 2
  - Round 3
  - Round 4
  - Round 5
  - Round 6
  - Protrusion 9
  - Protrusion 10
  - Round 7
  - Round 8
  - Cutout 1
  - Protrusion 11
  - Round 9
  - Round 10
  - Round 11

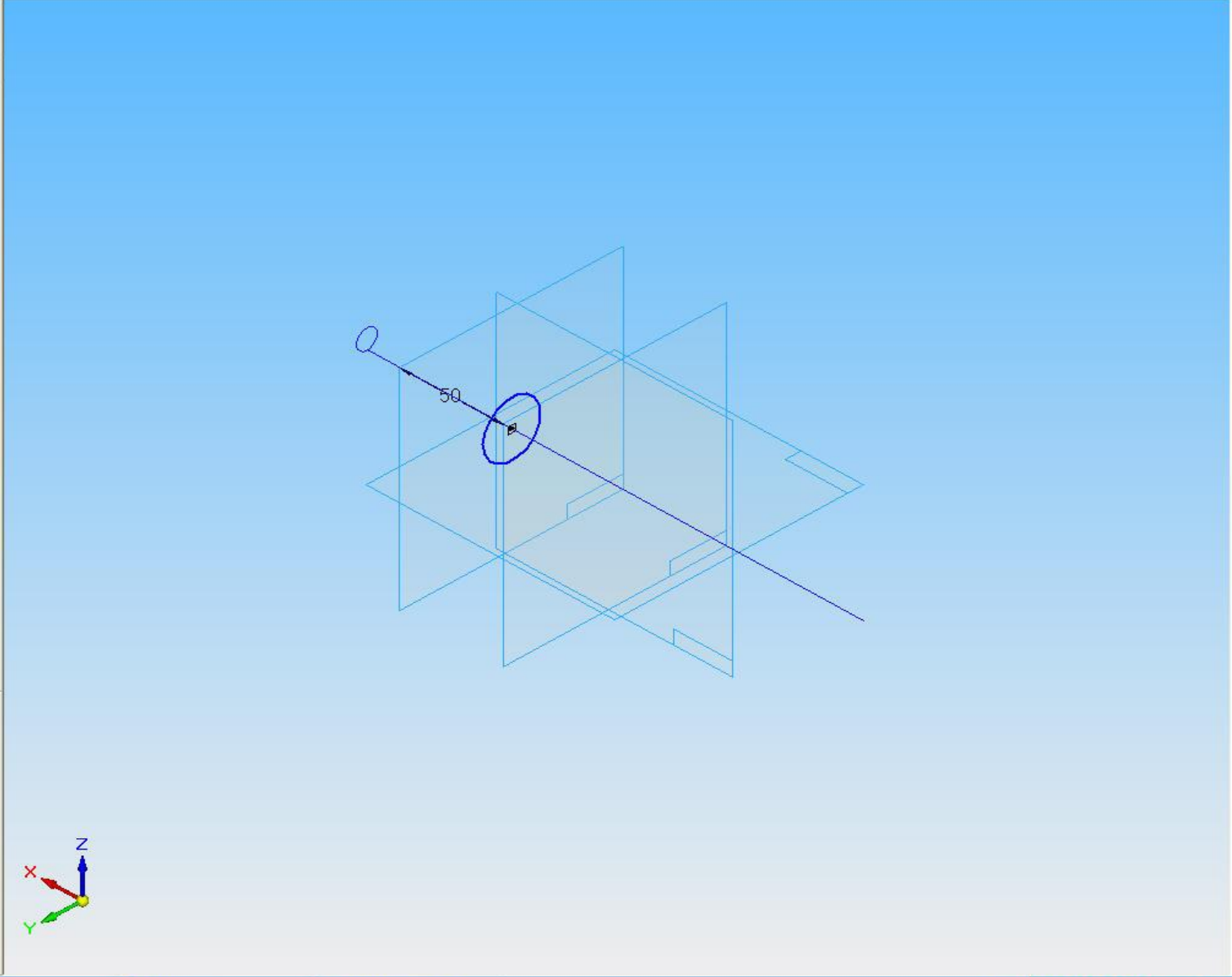




Finish Name: Sketch 3

Click on elements to edit.

- Lainer 2.par
  - Top (xy)
  - Right (yz)
  - Front (xz)
  - Sketch 1
  - Sketch 2
  - Sketch 3
  - Sketch 4
  - Sketch 5
  - Sketch 6
  - Sketch 7
  - Protrusion 1
  - Protrusion 1
  - Protrusion 1
  - Sketch 8
  - Protrusion 2
  - Sketch 9
  - Protrusion 3
  - Sketch 10
  - Protrusion 4
  - Sketch 11
  - Protrusion 5
  - Mirror 8
  - Protrusion 6
  - Protrusion 7
  - Sketch 12
  - Protrusion 8
  - Sketch 13
  - Round 1
  - Round 2
  - Round 3
  - Round 4
  - Round 5
  - Round 6
  - Protrusion 9
  - Protrusion 10
  - Round 7
  - Round 8
  - Cutout 1
  - Protrusion 11
  - Round 9
  - Round 10
  - Round 11

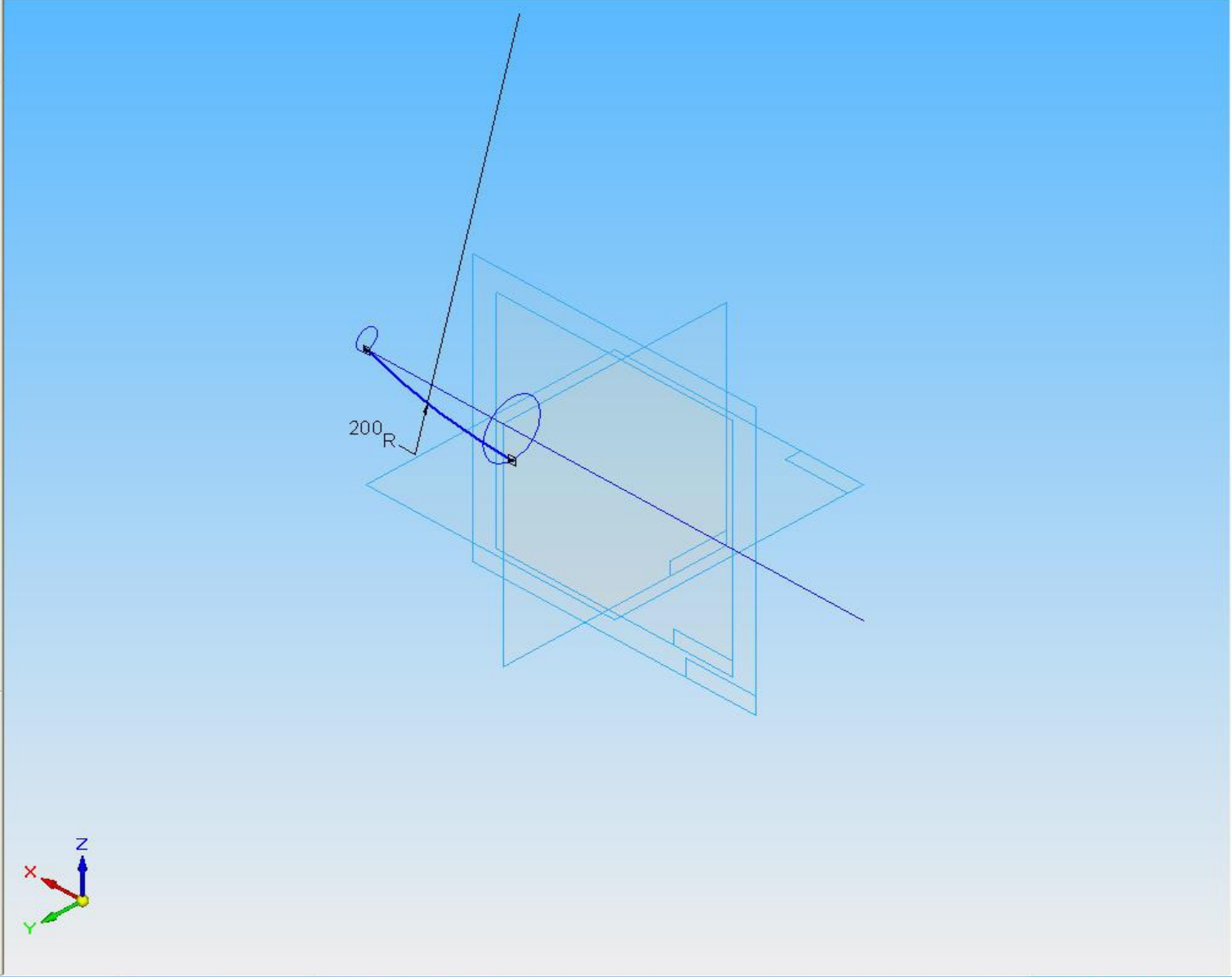




Finish Name: Sketch 4

Click on elements to edit.

- Lainer 2.par
  - Top (xy)
  - Right (yz)
  - Front (xz)
  - Sketch 1
  - Sketch 2
  - Sketch 3
  - Sketch 4
  - Sketch 5
  - Sketch 6
  - Sketch 7
  - Protrusion 1
  - Protrusion 1
  - Protrusion 1
  - Sketch 8
  - Protrusion 2
  - Sketch 9
  - Protrusion 3
  - Sketch 10
  - Protrusion 4
  - Sketch 11
  - Protrusion 5
  - Mirror 8
  - Protrusion 6
  - Protrusion 7
  - Sketch 12
  - Protrusion 8
  - Sketch 13
  - Round 1
  - Round 2
  - Round 3
  - Round 4
  - Round 5
  - Round 6
  - Protrusion 9
  - Protrusion 10
  - Round 7
  - Round 8
  - Cutout 1
  - Protrusion 11
  - Round 9
  - Round 10
  - Round 11

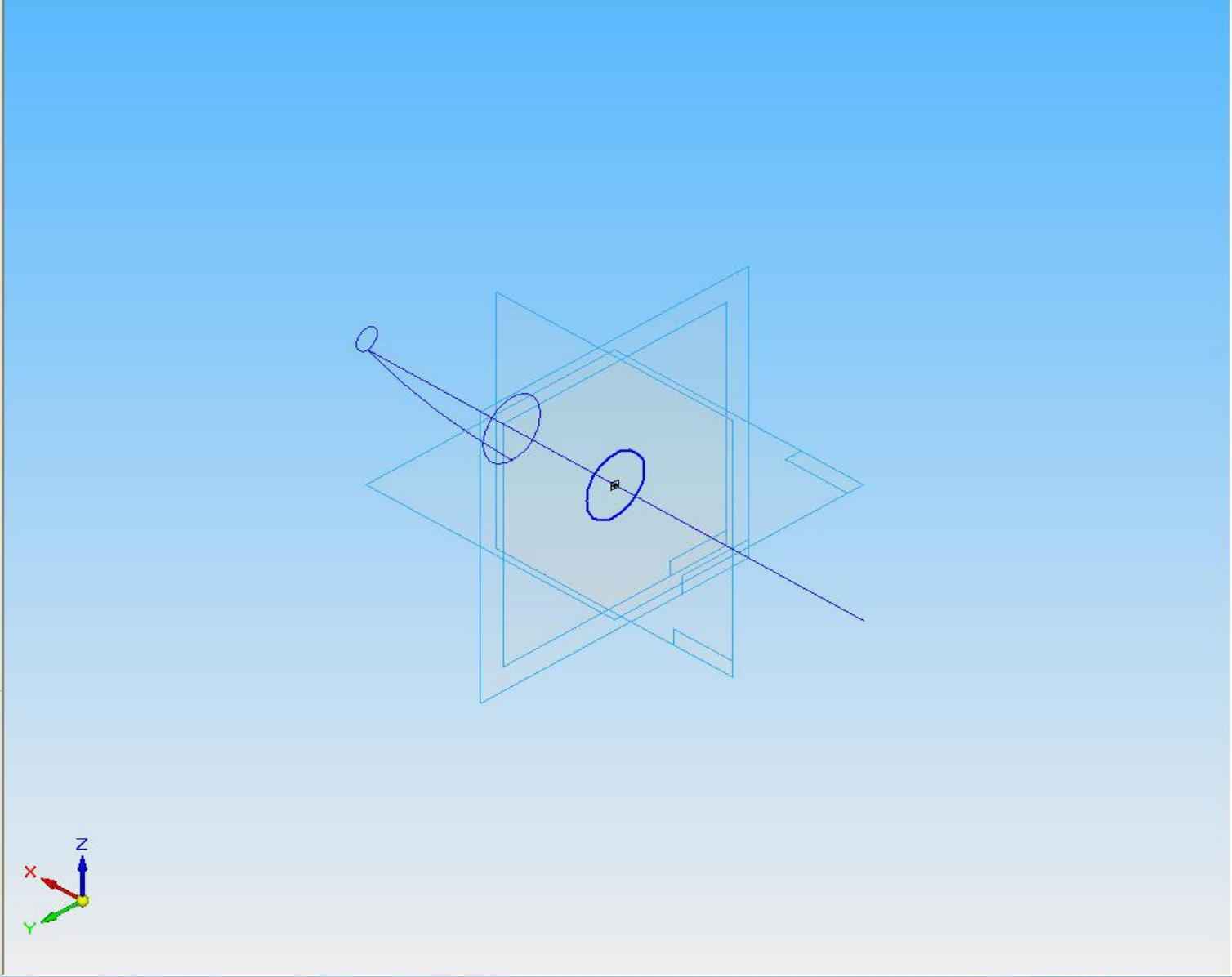




Finish Name: Sketch\_5

Click on elements to edit.

- Lainer 2.par
  - Top (xy)
  - Right (yz)
  - Front (xz)
  - Sketch 1
  - Sketch 2
  - Sketch 3
  - Sketch 4
  - Sketch 5
  - Sketch 6
  - Sketch 7
  - Protrusion 1
  - Protrusion 1
  - Protrusion 1
  - Sketch 8
  - Protrusion 2
  - Sketch 9
  - Protrusion 3
  - Sketch 10
  - Protrusion 4
  - Sketch 11
  - Protrusion 5
  - Mirror 8
  - Protrusion 6
  - Protrusion 7
  - Sketch 12
  - Protrusion 8
  - Sketch 13
  - Round 1
  - Round 2
  - Round 3
  - Round 4
  - Round 5
  - Round 6
  - Protrusion 9
  - Protrusion 10
  - Round 7
  - Round 8
  - Cutout 1
  - Protrusion 11
  - Round 9
  - Round 10
  - Round 11



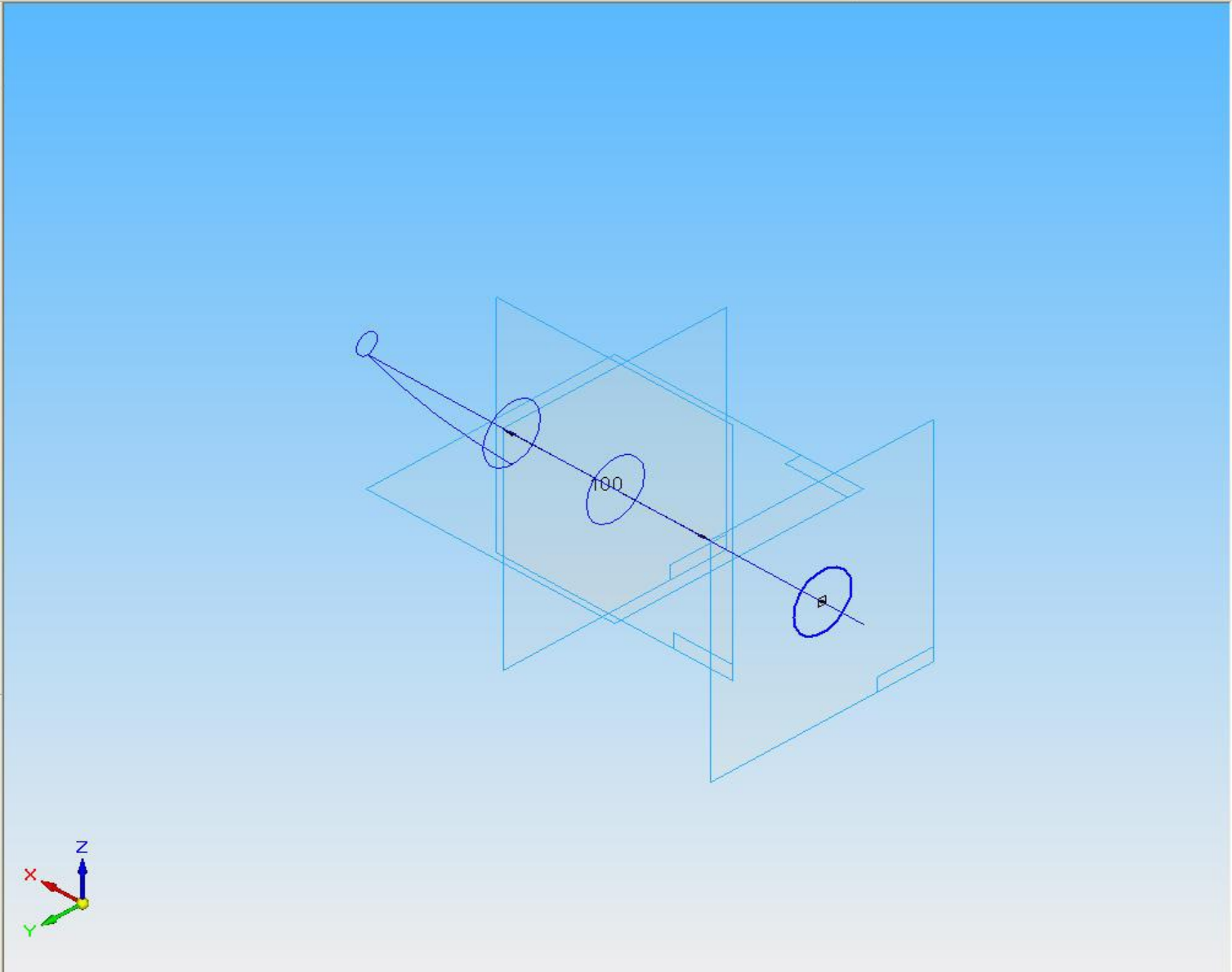




Finish Name: Sketch\_6

Click on elements to edit.

- Lainer 2.par
  - Top (xy)
  - Right (yz)
  - Front (xz)
  - Sketch 1
  - Sketch 2
  - Sketch 3
  - Sketch 4
  - Sketch 5
  - Sketch 6
  - Sketch 7
  - Protrusion 1
  - Protrusion 1
  - Protrusion 1
  - Sketch 8
  - Protrusion 2
  - Sketch 9
  - Protrusion 3
  - Sketch 10
  - Protrusion 4
  - Sketch 11
  - Protrusion 5
  - Mirror 8
  - Protrusion 6
  - Protrusion 7
  - Sketch 12
  - Protrusion 8
  - Sketch 13
  - Round 1
  - Round 2
  - Round 3
  - Round 4
  - Round 5
  - Round 6
  - Protrusion 9
  - Protrusion 10
  - Round 7
  - Round 8
  - Cutout 1
  - Protrusion 11
  - Round 9
  - Round 10
  - Round 11

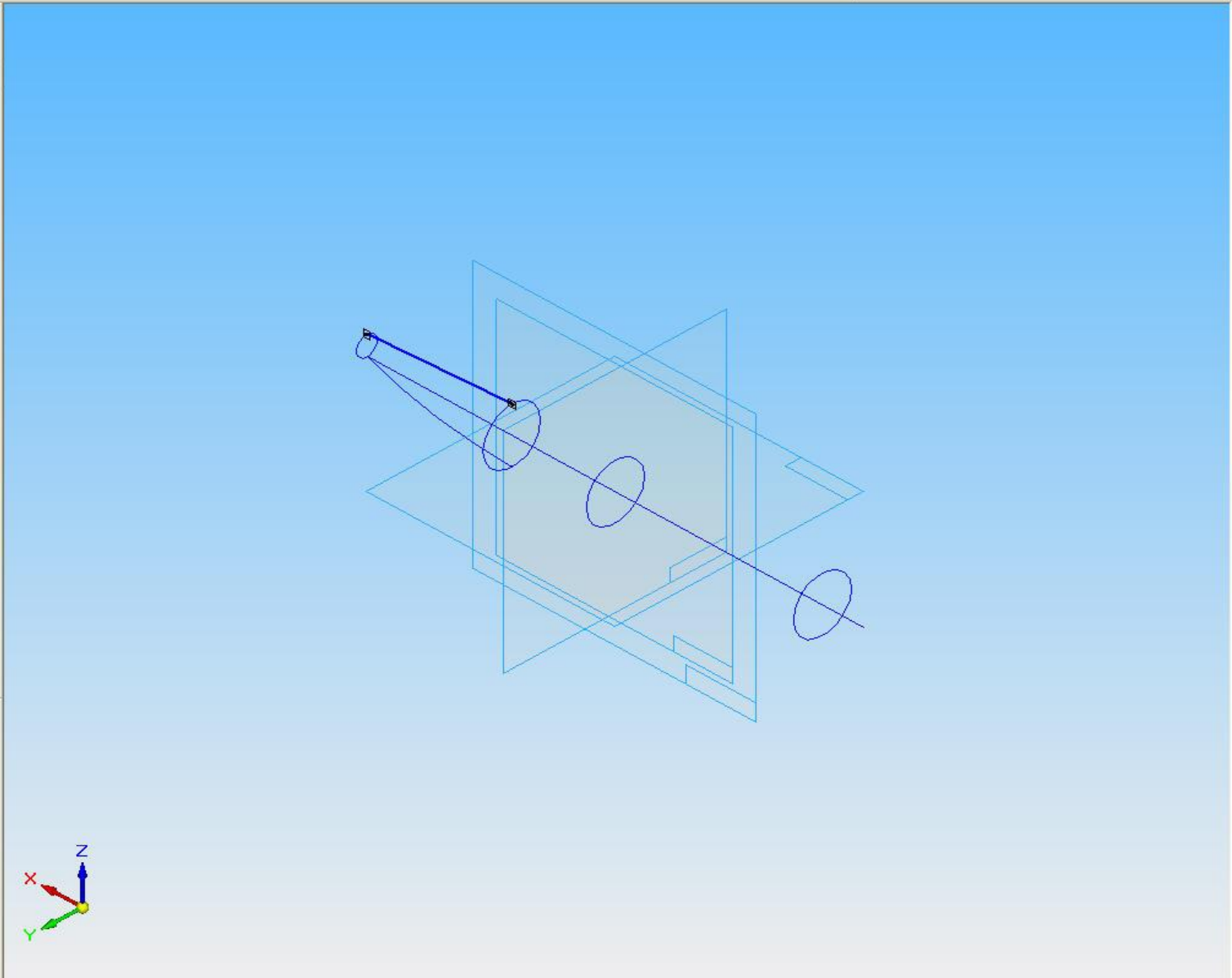




Finish Name: Sketch 7

Click on elements to edit.

- Lainer 2.par
  - Top (xy)
  - Right (yz)
  - Front (xz)
  - Sketch 1
  - Sketch 2
  - Sketch 3
  - Sketch 4
  - Sketch 5
  - Sketch 6
  - Sketch 7
  - Protrusion 1
  - Protrusion 1
  - Protrusion 1
  - Sketch 8
  - Protrusion 2
  - Sketch 9
  - Protrusion 3
  - Sketch 10
  - Protrusion 4
  - Sketch 11
  - Protrusion 5
  - Mirror 8
  - Protrusion 6
  - Protrusion 7
  - Sketch 12
  - Protrusion 8
  - Sketch 13
  - Round 1
  - Round 2
  - Round 3
  - Round 4
  - Round 5
  - Round 6
  - Protrusion 9
  - Protrusion 10
  - Round 7
  - Round 8
  - Cutout 1
  - Protrusion 11
  - Round 9
  - Round 10
  - Round 11

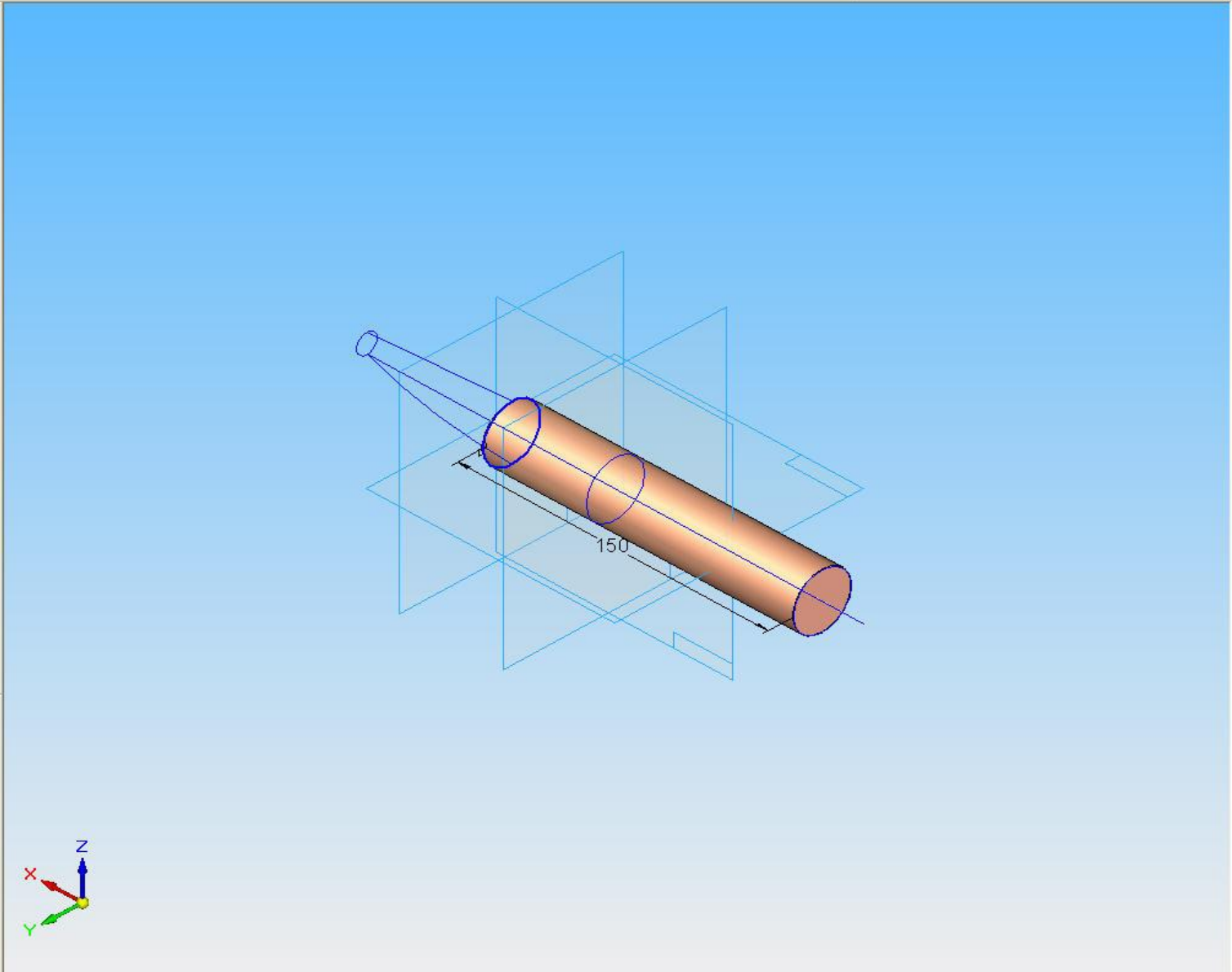




Finish Name: ExtrudedProtrusion\_1

Click on elements to edit.

- Lainer 2.par
  - Top (xy)
  - Right (yz)
  - Front (xz)
  - Sketch 1
  - Sketch 2
  - Sketch 3
  - Sketch 4
  - Sketch 5
  - Sketch 6
  - Sketch 7
  - Protrusion 1
  - Protrusion 1
  - Sketch 8
  - Protrusion 2
  - Sketch 9
  - Protrusion 3
  - Sketch 10
  - Protrusion 4
  - Sketch 11
  - Protrusion 5
  - Mirror 8
  - Protrusion 6
  - Protrusion 7
  - Sketch 12
  - Protrusion 8
  - Sketch 13
  - Round 1
  - Round 2
  - Round 3
  - Round 4
  - Round 5
  - Round 6
  - Protrusion 9
  - Protrusion 10
  - Round 7
  - Round 8
  - Cutout 1
  - Protrusion 11
  - Round 9
  - Round 10
  - Round 11

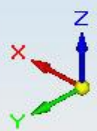
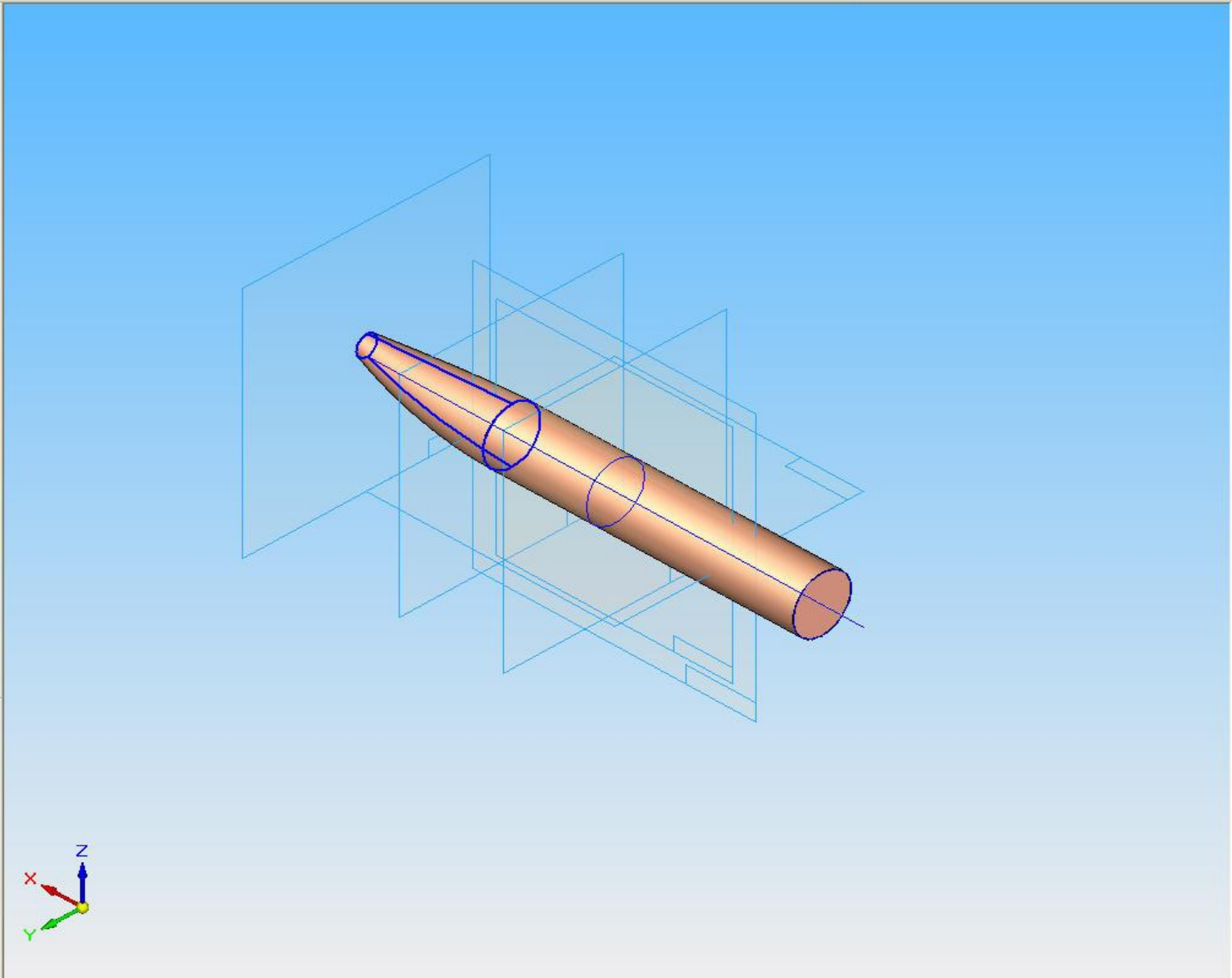




Finish Name:

Click on elements to edit.

- Lainer 2.par
  - Top (xy)
  - Right (yz)
  - Front (xz)
  - Sketch 1
  - Sketch 2
  - Sketch 3
  - Sketch 4
  - Sketch 5
  - Sketch 6
  - Sketch 7
  - Protrusion 1
  - Protrusion 1
  - Protrusion 1
  - Sketch 8
  - Protrusion 2
  - Sketch 9
  - Protrusion 3
  - Sketch 10
  - Protrusion 4
  - Sketch 11
  - Protrusion 5
  - Mirror 8
  - Protrusion 6
  - Protrusion 7
  - Sketch 12
  - Protrusion 8
  - Sketch 13
  - Round 1
  - Round 2
  - Round 3
  - Round 4
  - Round 5
  - Round 6
  - Protrusion 9
  - Protrusion 10
  - Round 7
  - Round 8
  - Cutout 1
  - Protrusion 11
  - Round 9
  - Round 10
  - Round 11



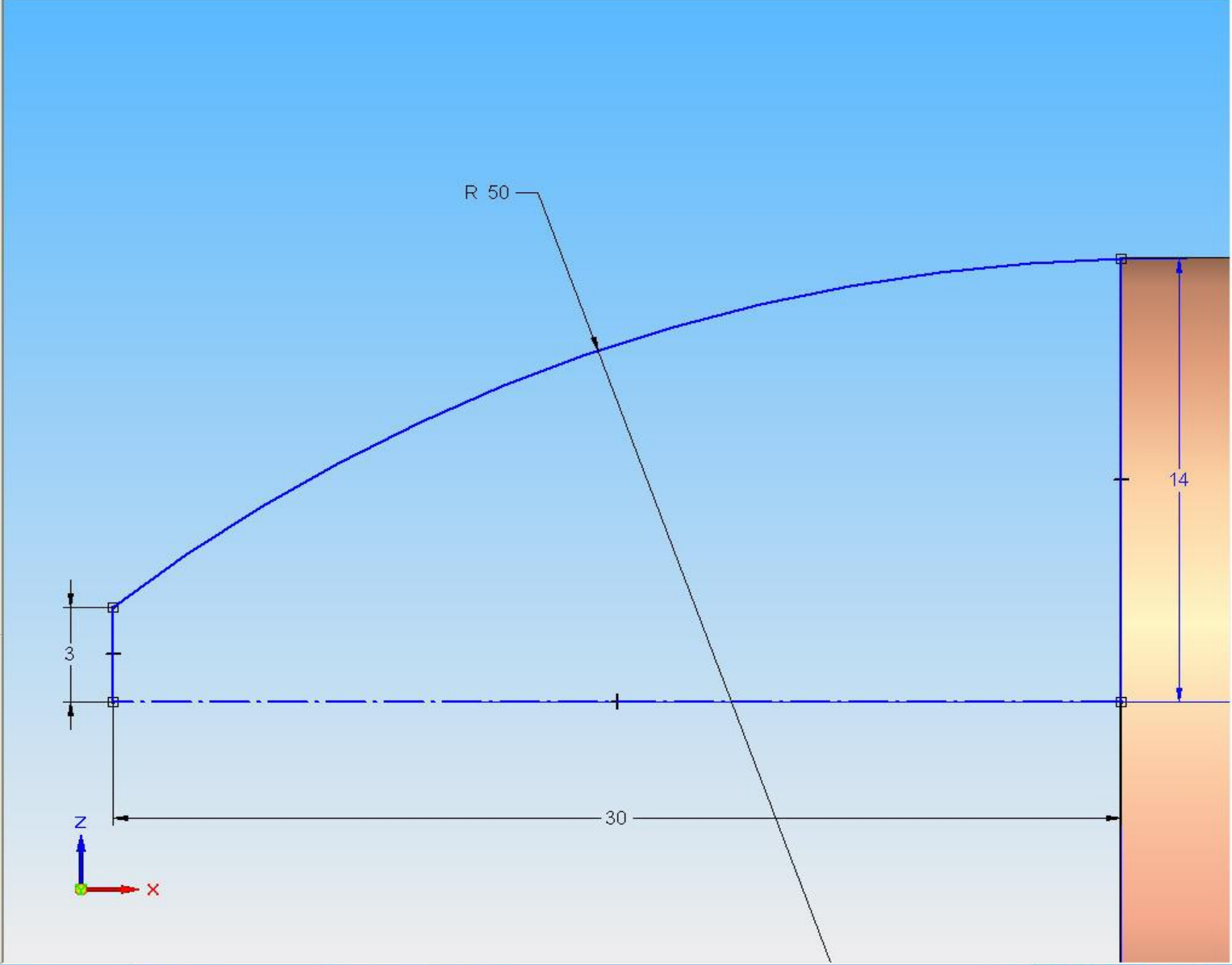
File Edit View Insert Format Tools Inspect Applications Window Help

Return ISO 12 14,00 mm

Click on the element(s) to dimension OR press 't' for tangent.

Lainer 2.par

- Top (xy)
- Right (yz)
- Front (xz)
- Sketch 1
- Sketch 2
- Sketch 3
- Sketch 4
- Sketch 5
- Sketch 6
- Sketch 7
- Protrusion 1
- Protrusion 1
- Sketch 8
- Protrusion 2
- Sketch 9
- Protrusion 3
- Sketch 10
- Protrusion 4
- Sketch 11
- Protrusion 5
- Mirror 8
- Protrusion 6
- Protrusion 7
- Sketch 12
- Protrusion 8
- Sketch 13
- Round 1
- Round 2
- Round 3
- Round 4
- Round 5
- Round 6
- Protrusion 9
- Protrusion 10
- Round 7
- Round 8
- Cutout 1
- Protrusion 11
- Round 9
- Round 10
- Round 11

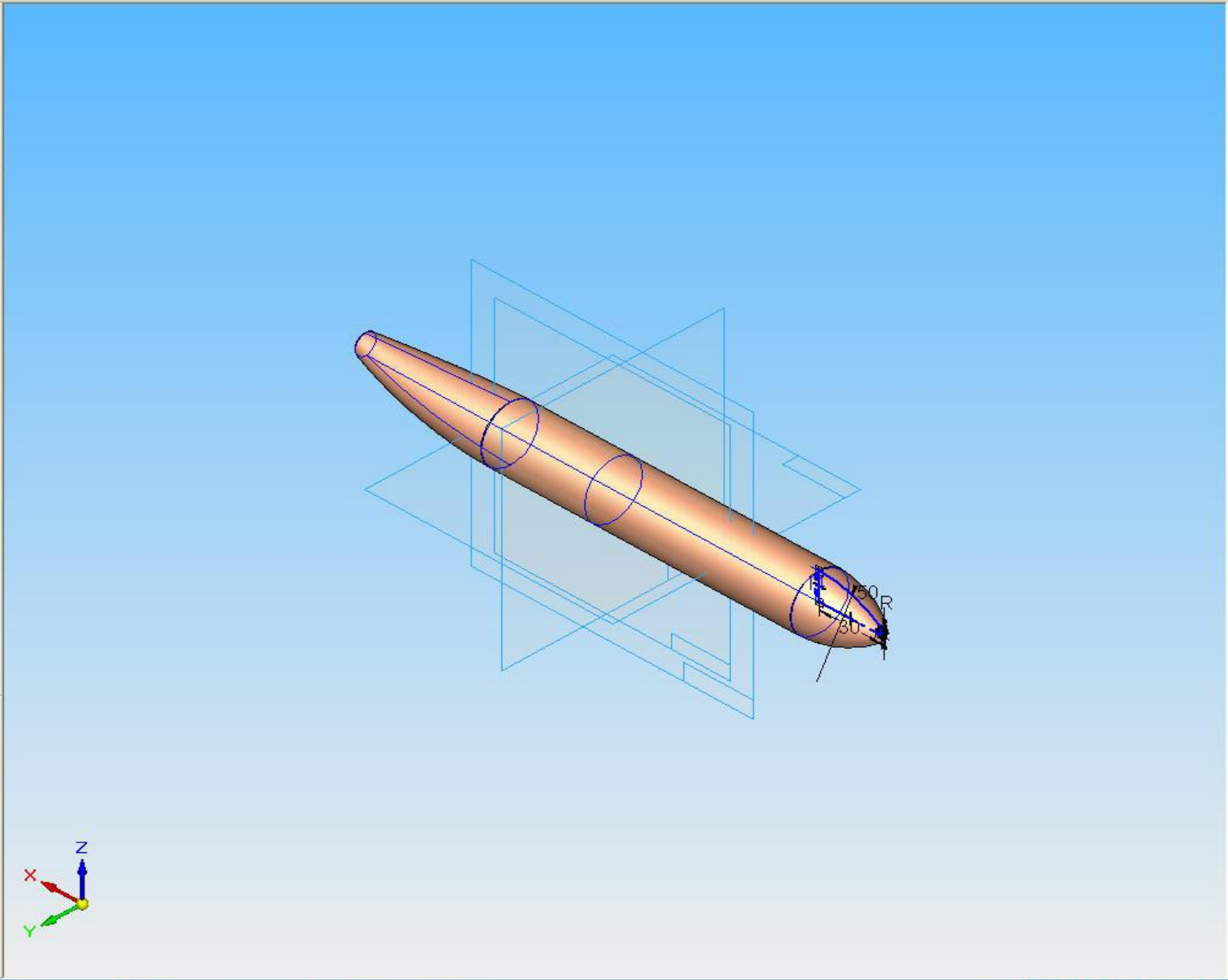




Finish Name: Protrusion 1

Click on elements to edit.

- Lainer 2.par
  - Top (xy)
  - Right (yz)
  - Front (xz)
  - Sketch 1
  - Sketch 2
  - Sketch 3
  - Sketch 4
  - Sketch 5
  - Sketch 6
  - Sketch 7
  - Protrusion 1
  - Protrusion 1
  - Protrusion 1
  - Sketch 8
  - Protrusion 2
  - Sketch 9
  - Protrusion 3
  - Sketch 10
  - Protrusion 4
  - Sketch 11
  - Protrusion 5
  - Mirror 8
  - Protrusion 6
  - Protrusion 7
  - Sketch 12
  - Protrusion 8
  - Sketch 13
  - Round 1
  - Round 2
  - Round 3
  - Round 4
  - Round 5
  - Round 6
  - Protrusion 9
  - Protrusion 10
  - Round 7
  - Round 8
  - Cutout 1
  - Protrusion 11
  - Round 9
  - Round 10
  - Round 11

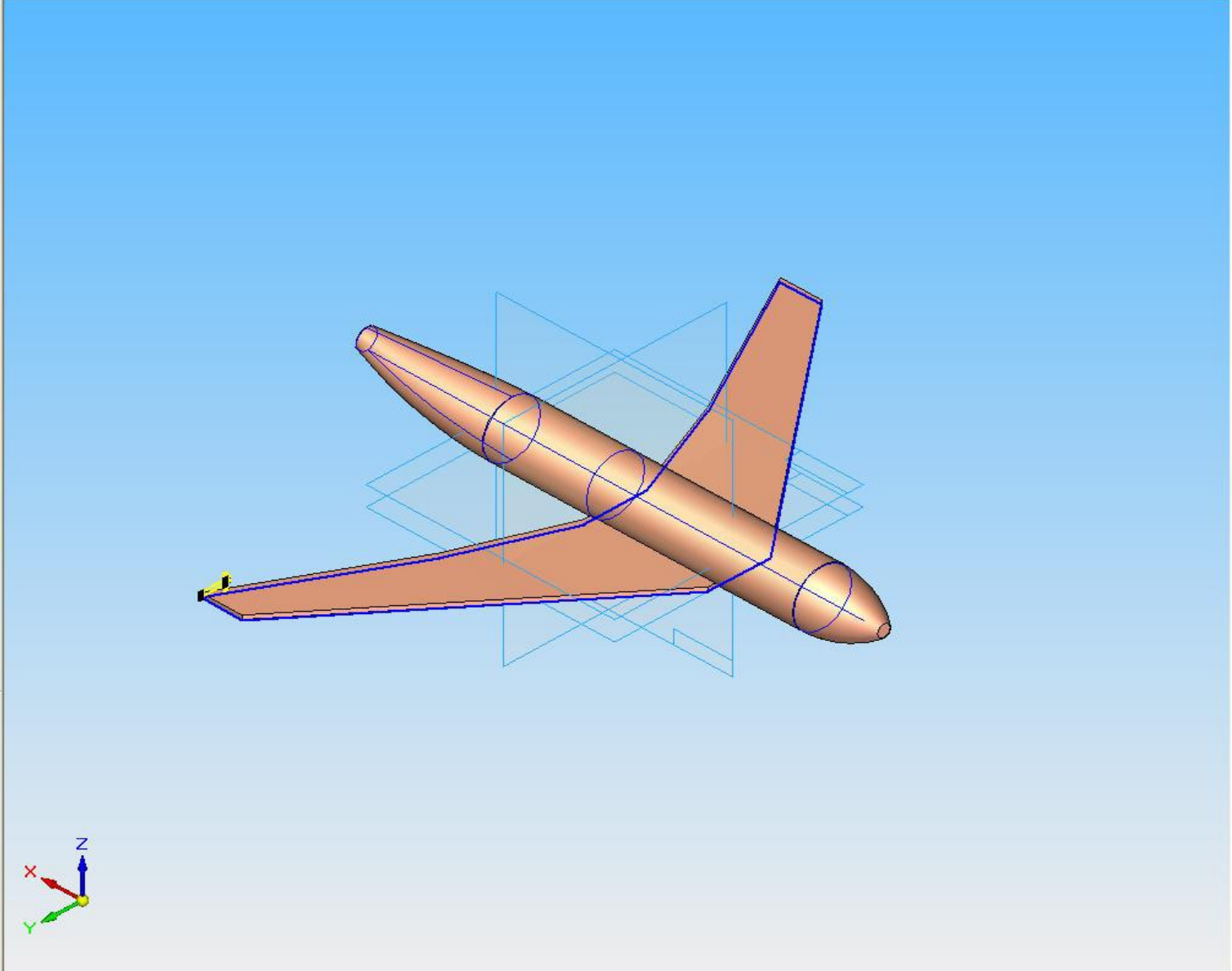


Finish Name: ExtrudedProtrusion\_2 ISO .12 2,00 mm

Alt + drag connect handles to change parent geometry. Ctrl + Alt + drag to maintain current value.

- Lainer 2.par
  - Top (xy)
  - Right (yz)
  - Front (xz)
  - Sketch 1
  - Sketch 2
  - Sketch 3
  - Sketch 4
  - Sketch 5
  - Sketch 6
  - Sketch 7
  - Protrusion 1
  - Protrusion 1
  - Protrusion 1
  - Sketch 8
  - Protrusion 2
  - Sketch 9
  - Protrusion 3
  - Sketch 10
  - Protrusion 4
  - Sketch 11
  - Protrusion 5
  - Mirror 8
  - Protrusion 6
  - Protrusion 7
  - Sketch 12
  - Protrusion 8
  - Sketch 13
  - Round 1
  - Round 2
  - Round 3
  - Round 4
  - Round 5
  - Round 6
  - Protrusion 9
  - Protrusion 10
  - Round 7
  - Round 8
  - Cutout 1
  - Protrusion 11
  - Round 9
  - Round 10
  - Round 11

Navigation and manipulation tools including pan, rotate, zoom, and feature tree navigation icons.

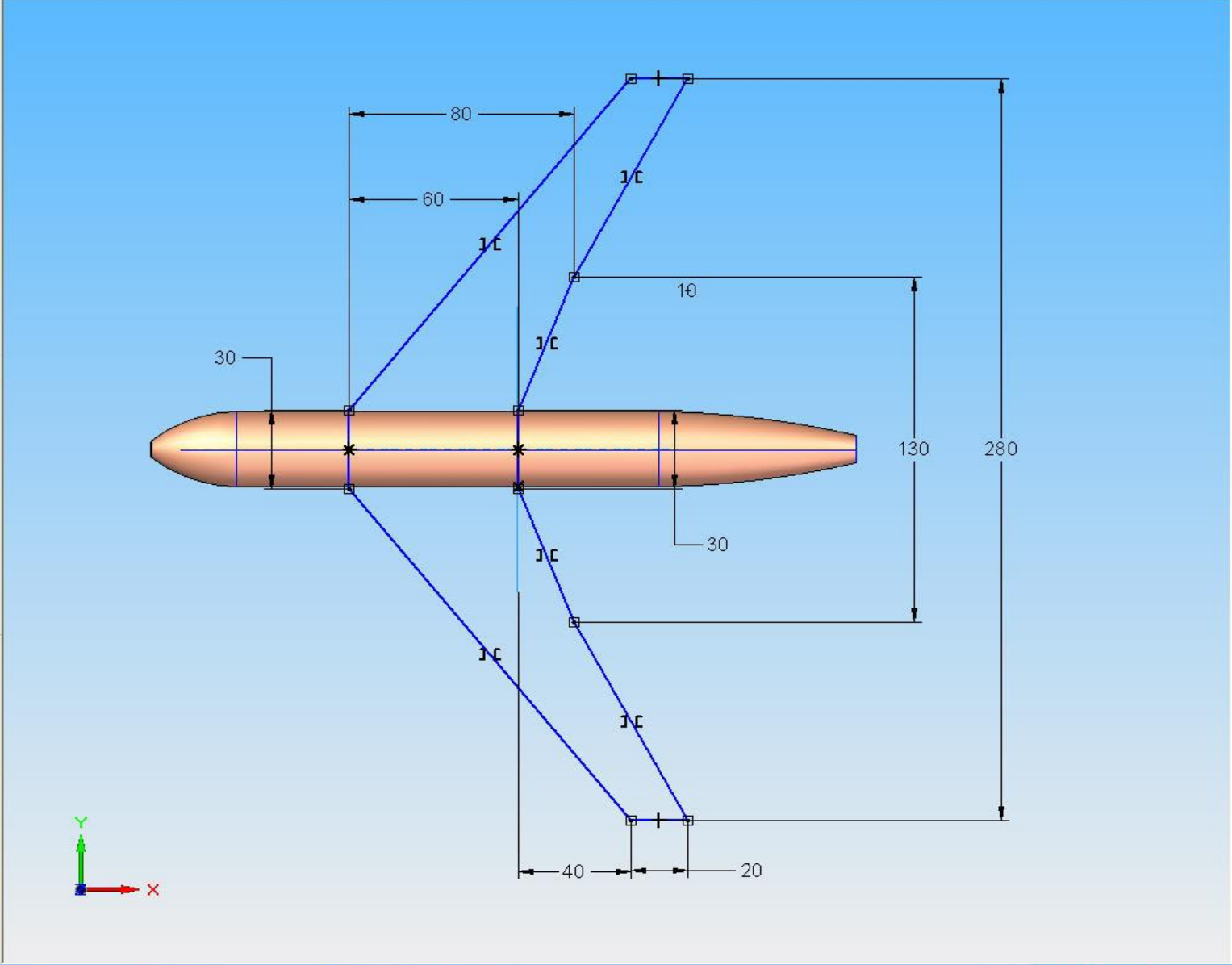


Return | ISO | .12 | 40,00 mm | Horizontal/Vertical

Click on the dimension measurement element. OR press 't' for tangent.

**Lainer 2.par**

- Top (xy)
- Right (yz)
- Front (xz)
- Sketch 1
- Sketch 2
- Sketch 3
- Sketch 4
- Sketch 5
- Sketch 6
- Sketch 7
- Protrusion 1
- Protrusion 1
- Protrusion 1
- Sketch 8
- Protrusion 2
- Sketch 9
- Protrusion 3
- Sketch 10
- Protrusion 4
- Sketch 11
- Protrusion 5
- Mirror 8
- Protrusion 6
- Protrusion 7
- Sketch 12
- Protrusion 8
- Sketch 13
- Round 1
- Round 2
- Round 3
- Round 4
- Round 5
- Round 6
- Protrusion 9
- Protrusion 10
- Round 7
- Round 8
- Cutout 1
- Protrusion 11
- Round 9
- Round 10
- Round 11



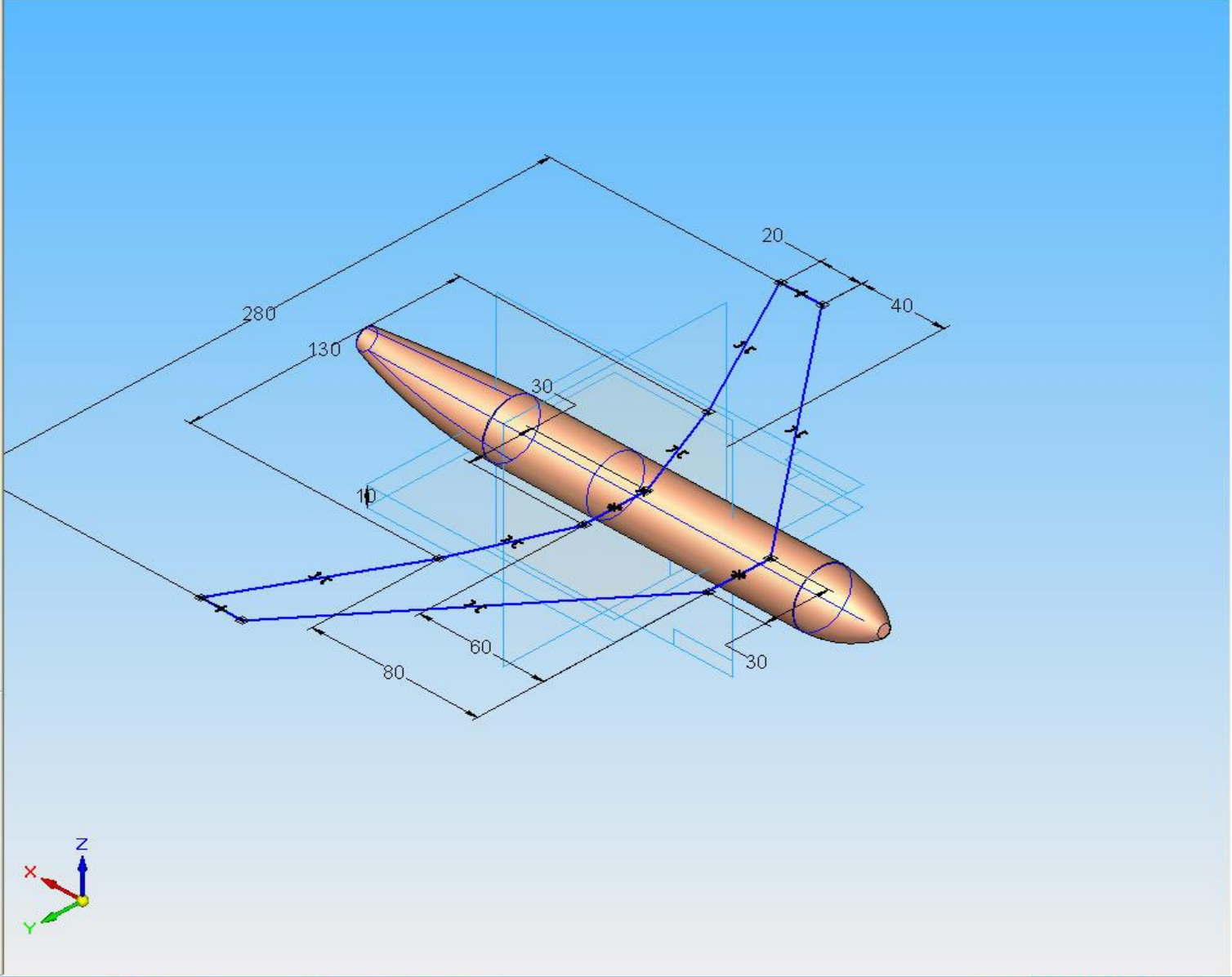




Finish Name: Sketch 8

Click on elements to edit.

- Lainer 2.par
  - Top (xy)
  - Right (yz)
  - Front (xz)
  - Sketch 1
  - Sketch 2
  - Sketch 3
  - Sketch 4
  - Sketch 5
  - Sketch 6
  - Sketch 7
  - Protrusion 1
  - Protrusion 1
  - Protrusion 1
  - Sketch 8
  - Protrusion 2
  - Sketch 9
  - Protrusion 3
  - Sketch 10
  - Protrusion 4
  - Sketch 11
  - Protrusion 5
  - Mirror 8
  - Protrusion 6
  - Protrusion 7
  - Sketch 12
  - Protrusion 8
  - Sketch 13
  - Round 1
  - Round 2
  - Round 3
  - Round 4
  - Round 5
  - Round 6
  - Protrusion 9
  - Protrusion 10
  - Round 7
  - Round 8
  - Cutout 1
  - Protrusion 11
  - Round 9
  - Round 10
  - Round 11

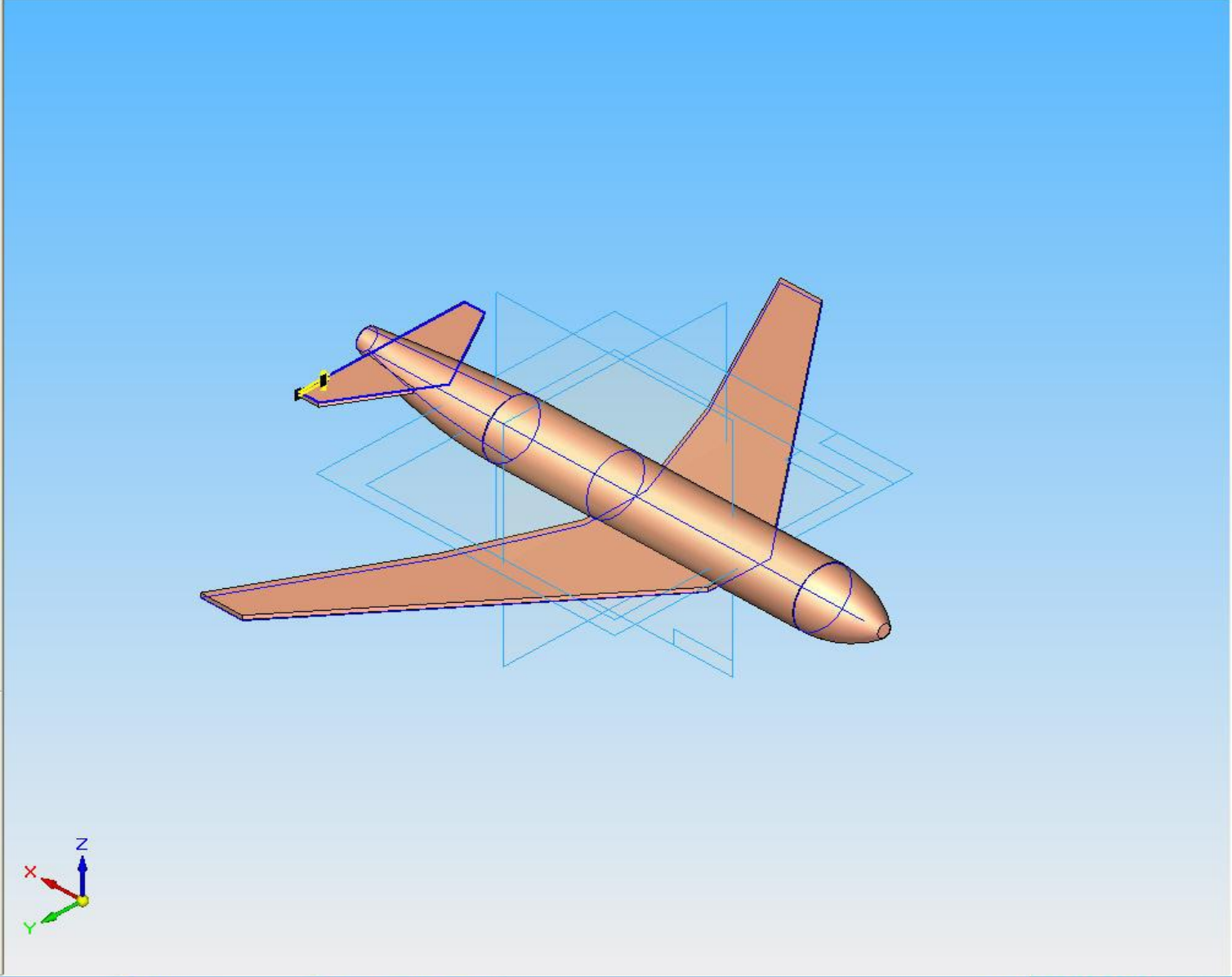


Finish Name: ExtrudedProtrusion\_3 ISO .12 2,00 mm

Alt + drag connect handles to change parent geometry. Ctrl + Alt + drag to maintain current value.

Lainer 2.par

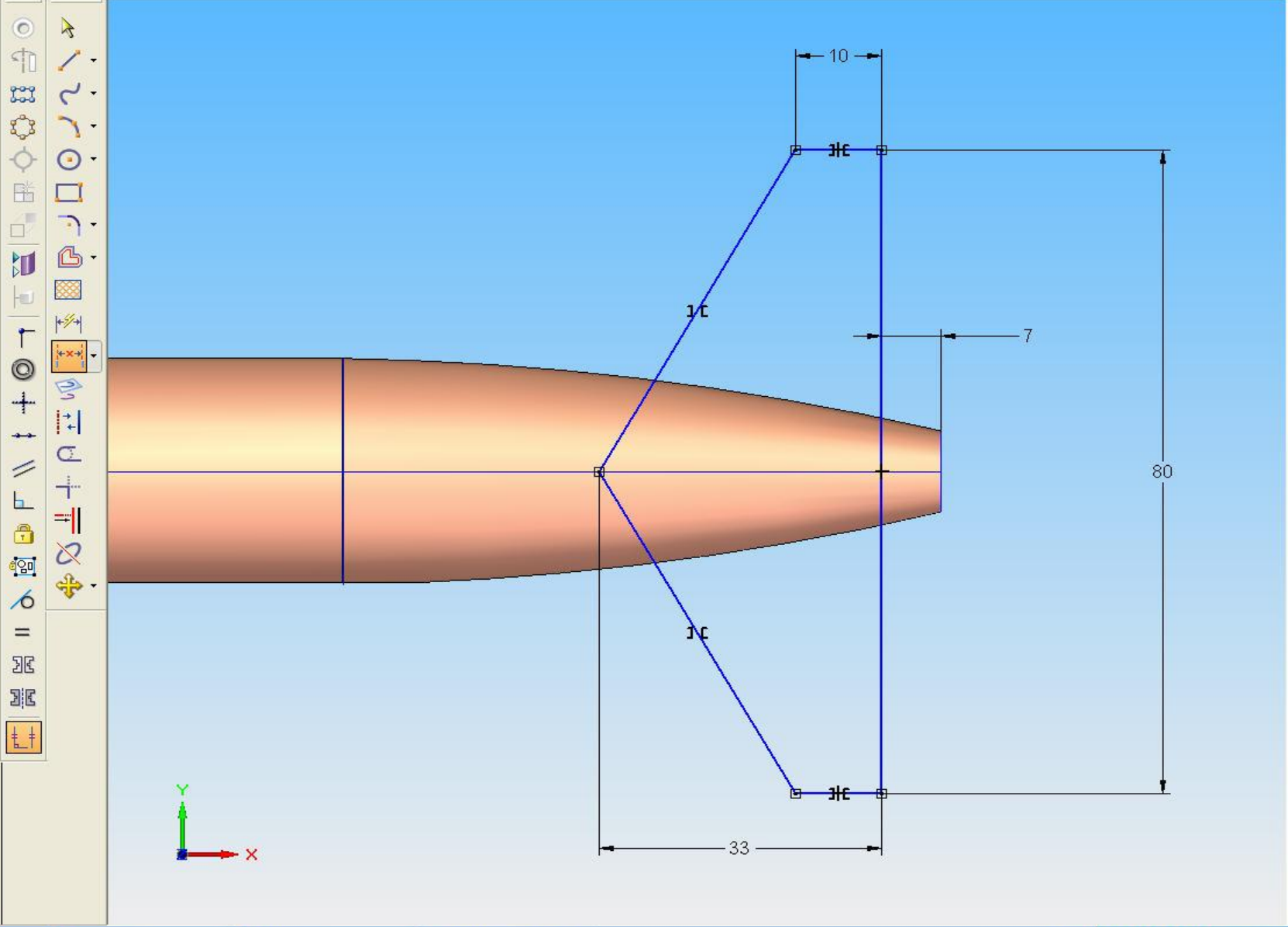
- Top (xy)
- Right (yz)
- Front (xz)
- Sketch 1
- Sketch 2
- Sketch 3
- Sketch 4
- Sketch 5
- Sketch 6
- Sketch 7
- Protrusion 1
- Protrusion 1
- Protrusion 1
- Sketch 8
- Protrusion 2
- Sketch 9
- Protrusion 3
- Sketch 10
- Protrusion 4
- Sketch 11
- Protrusion 5
- Mirror 8
- Protrusion 6
- Protrusion 7
- Sketch 12
- Protrusion 8
- Sketch 13
- Round 1
- Round 2
- Round 3
- Round 4
- Round 5
- Round 6
- Protrusion 9
- Protrusion 10
- Round 7
- Round 8
- Cutout 1
- Protrusion 11
- Round 9
- Round 10
- Round 11



Return | ISO | .12 | 83.00 mm | Horizontal/Vertical | [Icons]

Click on the dimension measurement element. OR press 't' for tangent.

- Lainer 2.par
- Top (xy)
- Right (yz)
- Front (xz)
- Sketch 1
- Sketch 2
- Sketch 3
- Sketch 4
- Sketch 5
- Sketch 6
- Sketch 7
- Protrusion 1
- Protrusion 1
- Protrusion 1
- Sketch 8
- Protrusion 2
- Sketch 9
- Protrusion 3
- Sketch 10
- Protrusion 4
- Sketch 11
- Protrusion 5
- Mirror 8
- Protrusion 6
- Protrusion 7
- Sketch 12
- Protrusion 8
- Sketch 13
- Round 1
- Round 2
- Round 3
- Round 4
- Round 5
- Round 6
- Protrusion 9
- Protrusion 10
- Round 7
- Round 8
- Cutout 1
- Protrusion 11
- Round 9
- Round 10
- Round 11

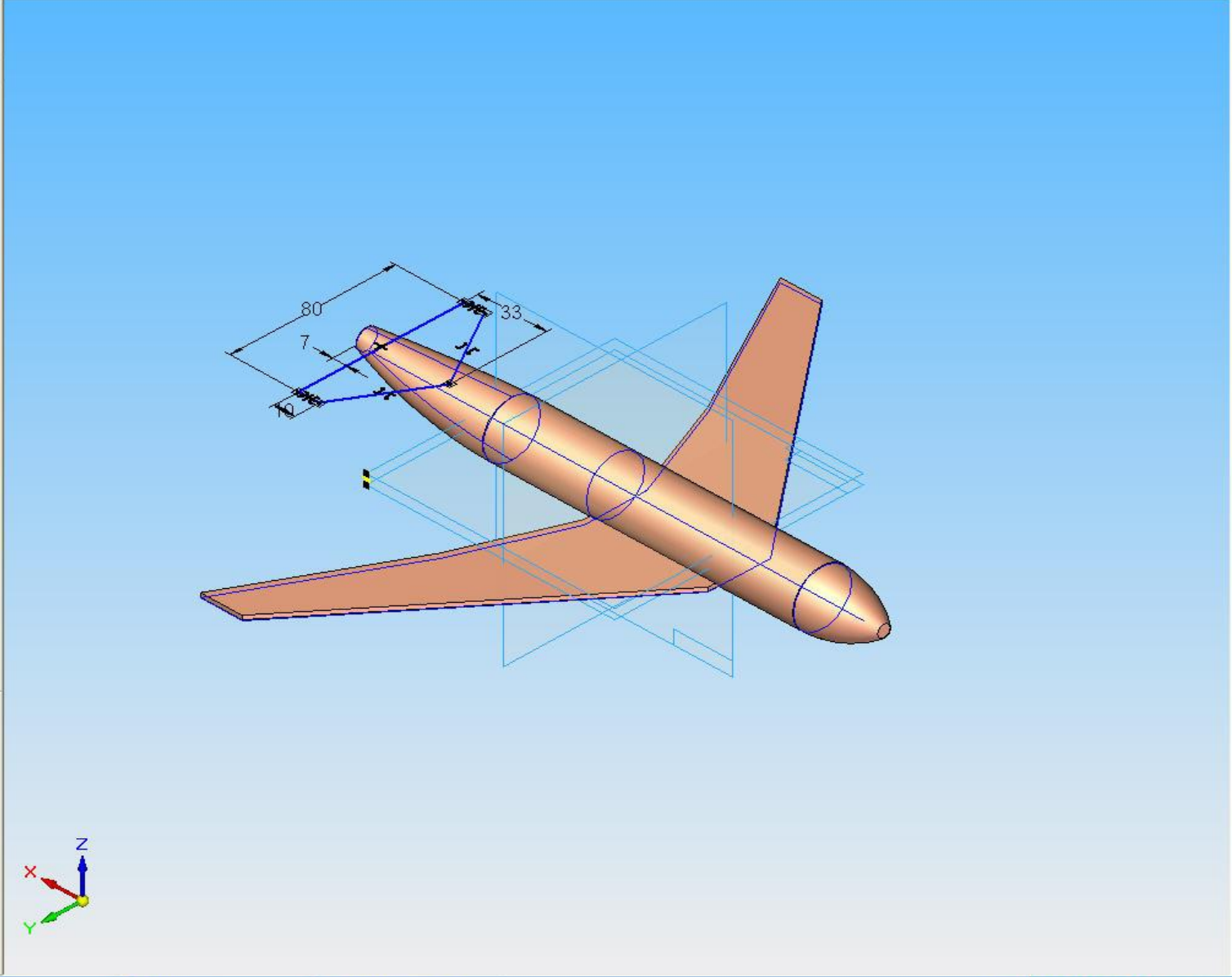


Finish Name: Sketch 9 ISO .12 5,00 mm

Alt + drag connect handles to change parent geometry. Ctrl + Alt + drag to maintain current value.

- Lainer 2.par
  - Top (xy)
  - Right (yz)
  - Front (xz)
  - Sketch 1
  - Sketch 2
  - Sketch 3
  - Sketch 4
  - Sketch 5
  - Sketch 6
  - Sketch 7
  - Protrusion 1
  - Protrusion 1
  - Protrusion 1
  - Sketch 8
  - Protrusion 2
  - Sketch 9
  - Protrusion 3
  - Sketch 10
  - Protrusion 4
  - Sketch 11
  - Protrusion 5
  - Mirror 8
  - Protrusion 6
  - Protrusion 7
  - Sketch 12
  - Protrusion 8
  - Sketch 13
  - Round 1
  - Round 2
  - Round 3
  - Round 4
  - Round 5
  - Round 6
  - Protrusion 9
  - Protrusion 10
  - Round 7
  - Round 8
  - Cutout 1
  - Protrusion 11
  - Round 9
  - Round 10
  - Round 11

Navigation and tool icons for the CAD software interface.

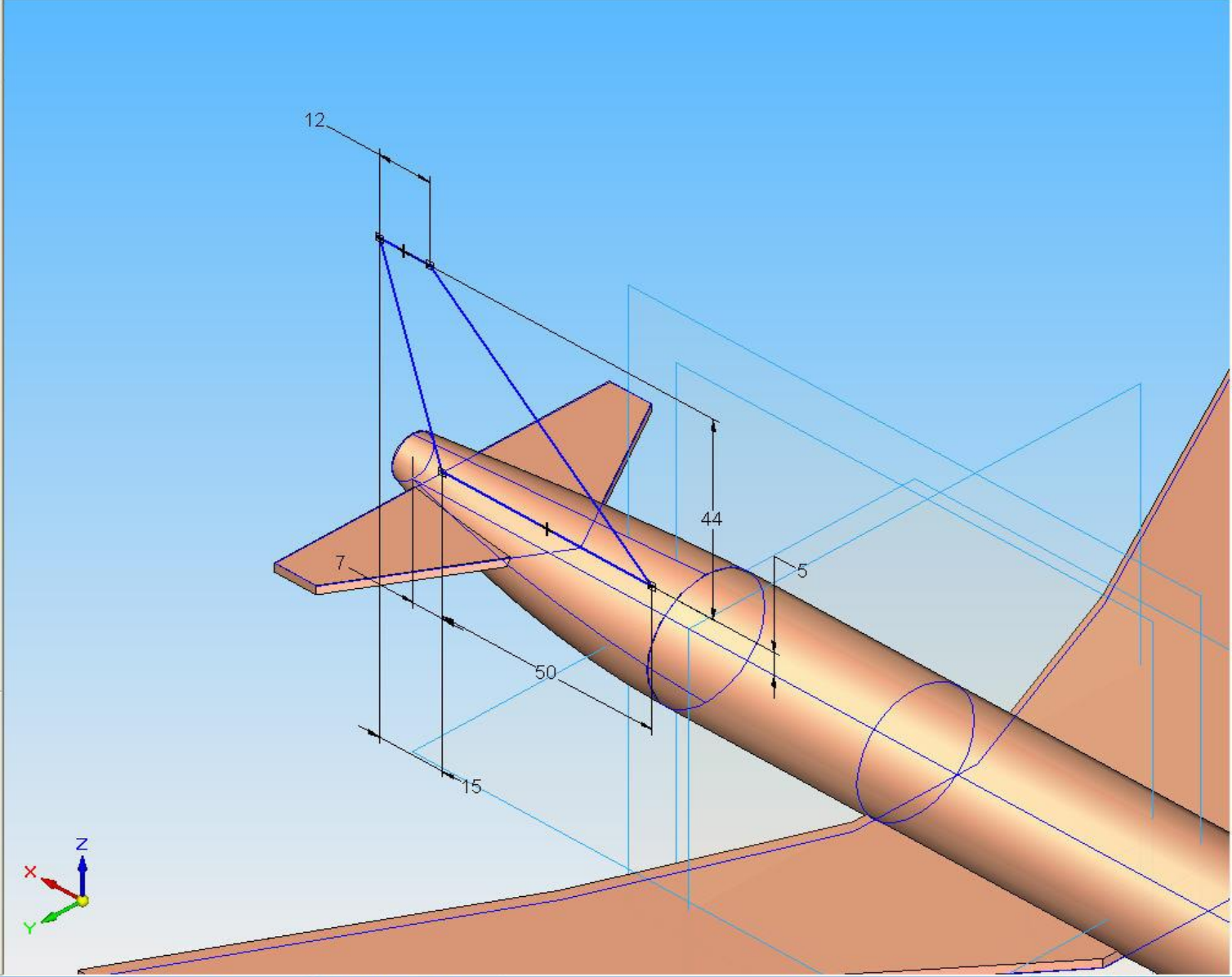




Finish Name: Sketch 10

Click on elements to edit.

- Lainer 2.par
  - Top (xy)
  - Right (yz)
  - Front (xz)
  - Sketch 1
  - Sketch 2
  - Sketch 3
  - Sketch 4
  - Sketch 5
  - Sketch 6
  - Sketch 7
  - Protrusion 1
  - Protrusion 1
  - Protrusion 1
  - Sketch 8
  - Protrusion 2
  - Sketch 9
  - Protrusion 3
  - Sketch 10
  - Protrusion 4
  - Sketch 11
  - Protrusion 5
  - Mirror 8
  - Protrusion 6
  - Protrusion 7
  - Sketch 12
  - Protrusion 8
  - Sketch 13
  - Round 1
  - Round 2
  - Round 3
  - Round 4
  - Round 5
  - Round 6
  - Protrusion 9
  - Protrusion 10
  - Round 7
  - Round 8
  - Cutout 1
  - Protrusion 11
  - Round 9
  - Round 10
  - Round 11



Finish Name: ExtrudedProtrusion\_4 ISO .12 2,00 mm

Alt + drag connect handles to change parent geometry. Ctrl + Alt + drag to maintain current value.

- Lainer 2.par
  - Top (xy)
  - Right (yz)
  - Front (xz)
  - Sketch 1
  - Sketch 2
  - Sketch 3
  - Sketch 4
  - Sketch 5
  - Sketch 6
  - Sketch 7
  - Protrusion 1
  - Protrusion 1
  - Protrusion 1
  - Sketch 8
  - Protrusion 2
  - Sketch 9
  - Protrusion 3
  - Sketch 10
  - Protrusion 4
  - Sketch 11
  - Protrusion 5
  - Mirror 8
  - Protrusion 6
  - Protrusion 7
  - Sketch 12
  - Protrusion 8
  - Sketch 13
  - Round 1
  - Round 2
  - Round 3
  - Round 4
  - Round 5
  - Round 6
  - Protrusion 9
  - Protrusion 10
  - Round 7
  - Round 8
  - Cutout 1
  - Protrusion 11
  - Round 9
  - Round 10
  - Round 11

