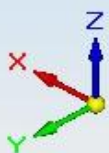
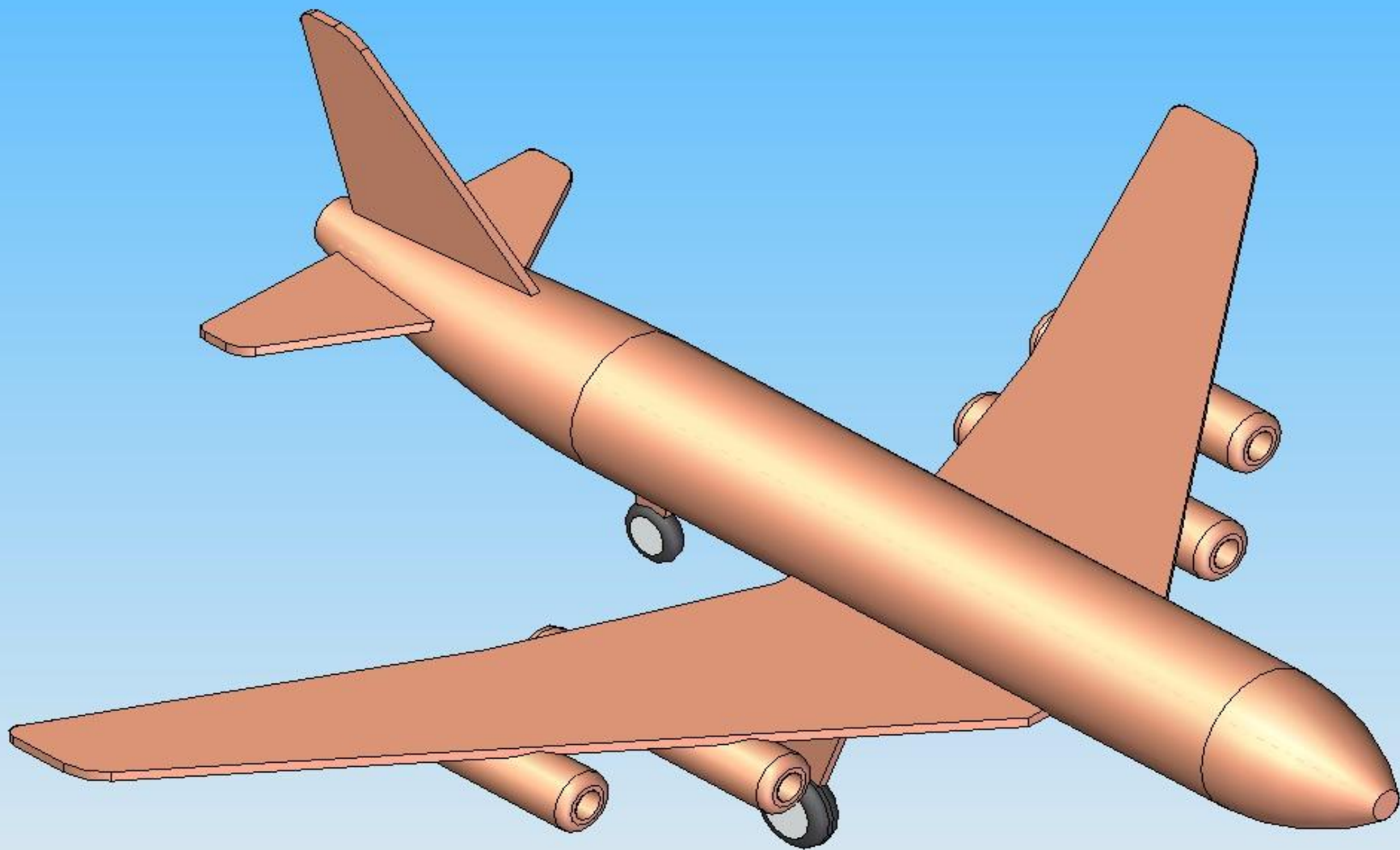
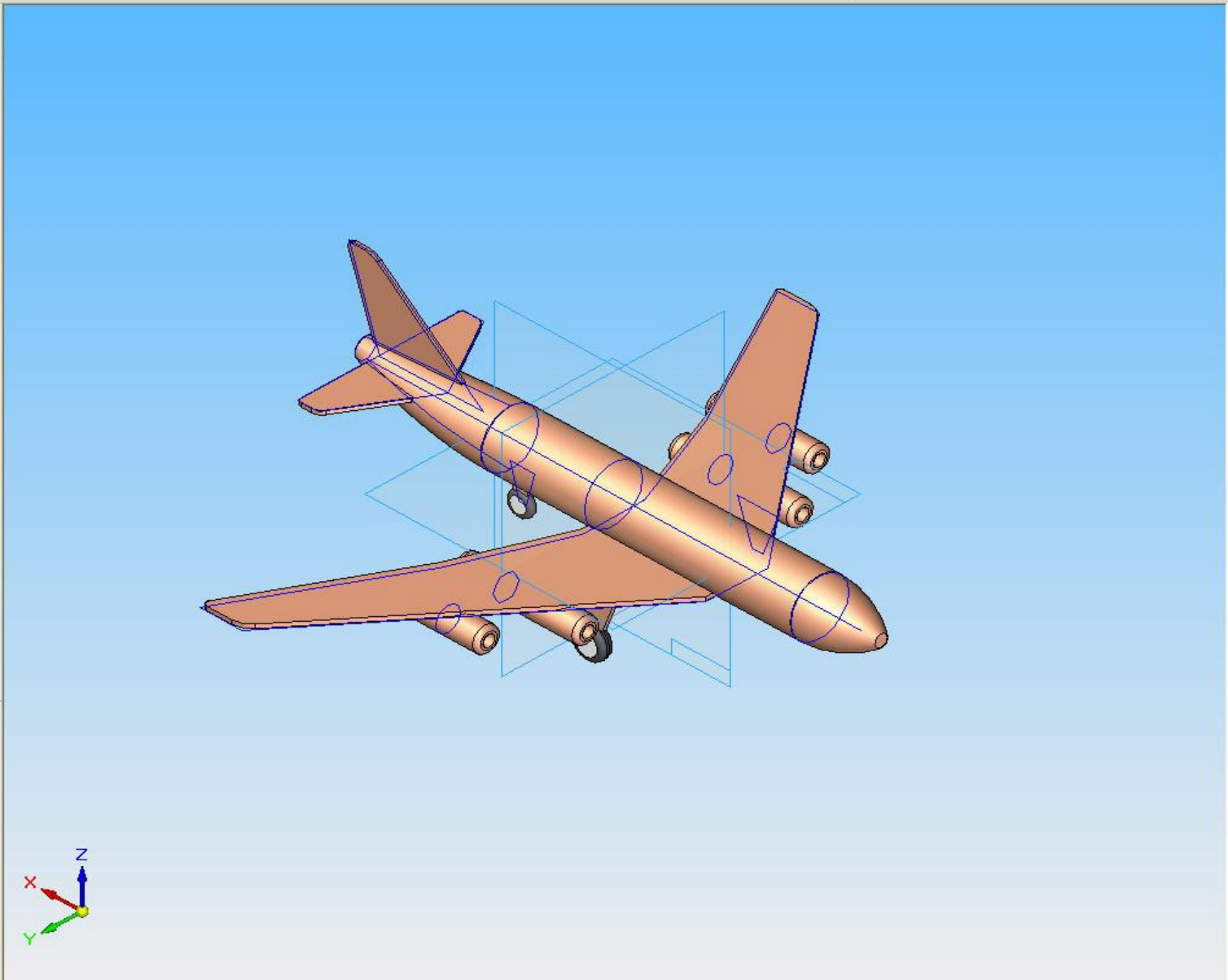


Создание модели лайнера в Solid Edge





- Lainer 2.par
 - Top (xy)
 - Right (yz)
 - Front (xz)
 - Sketch 1
 - Sketch 2
 - Sketch 3
 - Sketch 4
 - Sketch 5
 - Sketch 6
 - Sketch 7
 - Protrusion 1
 - Protrusion 1
 - Protrusion 1
 - Sketch 8
 - Protrusion 2
 - Sketch 9
 - Protrusion 3
 - Sketch 10
 - Protrusion 4
 - Sketch 11
 - Protrusion 5
 - Mirror 8
 - Protrusion 6
 - Protrusion 7
 - Sketch 12
 - Protrusion 8
 - Sketch 13
 - Round 1
 - Round 2
 - Round 3
 - Round 4
 - Round 5
 - Round 6
 - Protrusion 9
 - Protrusion 10
 - Round 7
 - Round 8
 - Cutout 1
 - Protrusion 11
 - Round 9
 - Round 10
 - Round 11

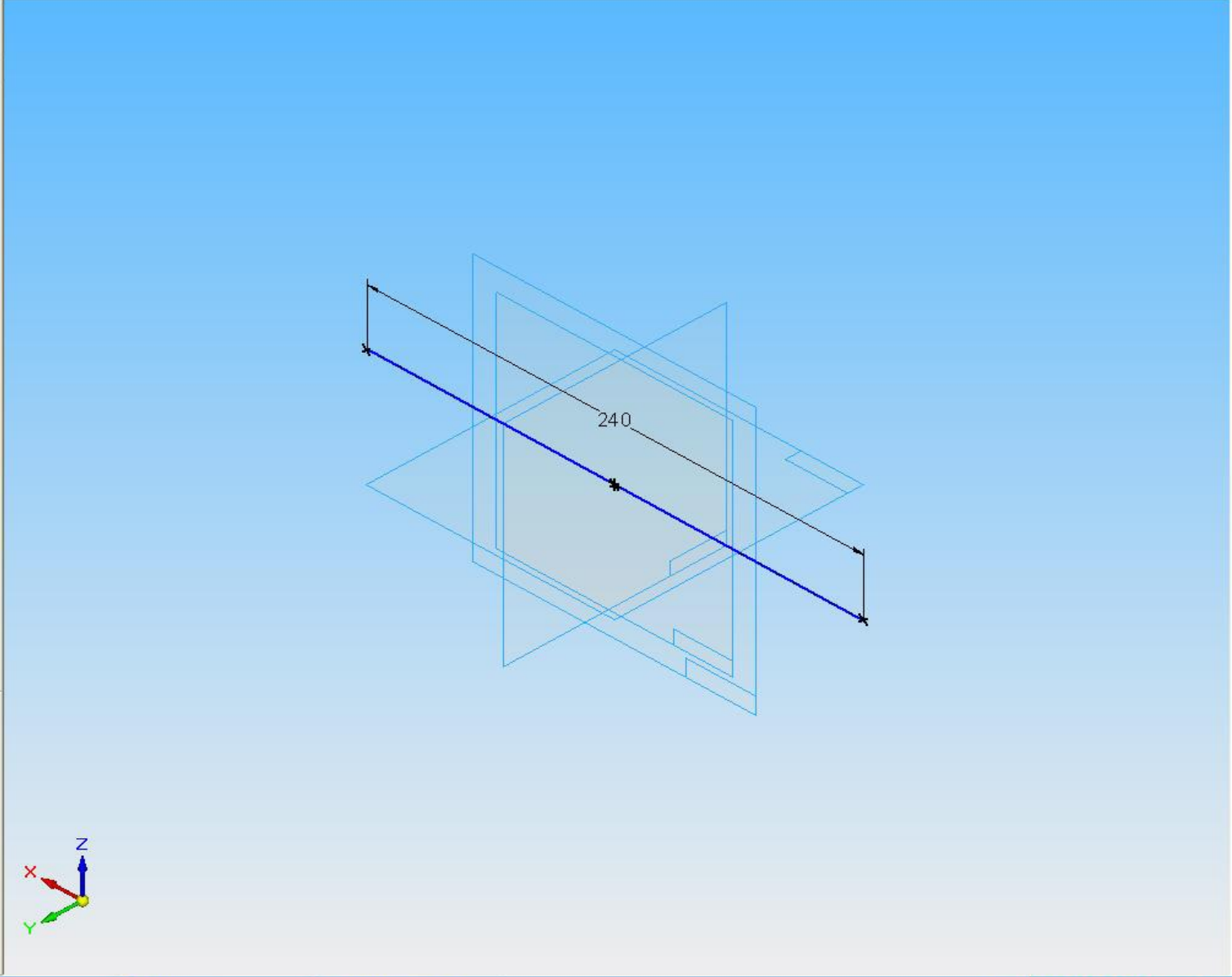




Finish Name: Sketch_1

Click on elements to edit.

- Lainer 2.par
 - Top (xy)
 - Right (yz)
 - Front (xz)
 - Sketch 1
 - Sketch 2
 - Sketch 3
 - Sketch 4
 - Sketch 5
 - Sketch 6
 - Sketch 7
 - Protrusion 1
 - Protrusion 1
 - Protrusion 1
 - Sketch 8
 - Protrusion 2
 - Sketch 9
 - Protrusion 3
 - Sketch 10
 - Protrusion 4
 - Sketch 11
 - Protrusion 5
 - Mirror 8
 - Protrusion 6
 - Protrusion 7
 - Sketch 12
 - Protrusion 8
 - Sketch 13
 - Round 1
 - Round 2
 - Round 3
 - Round 4
 - Round 5
 - Round 6
 - Protrusion 9
 - Protrusion 10
 - Round 7
 - Round 8
 - Cutout 1
 - Protrusion 11
 - Round 9
 - Round 10
 - Round 11

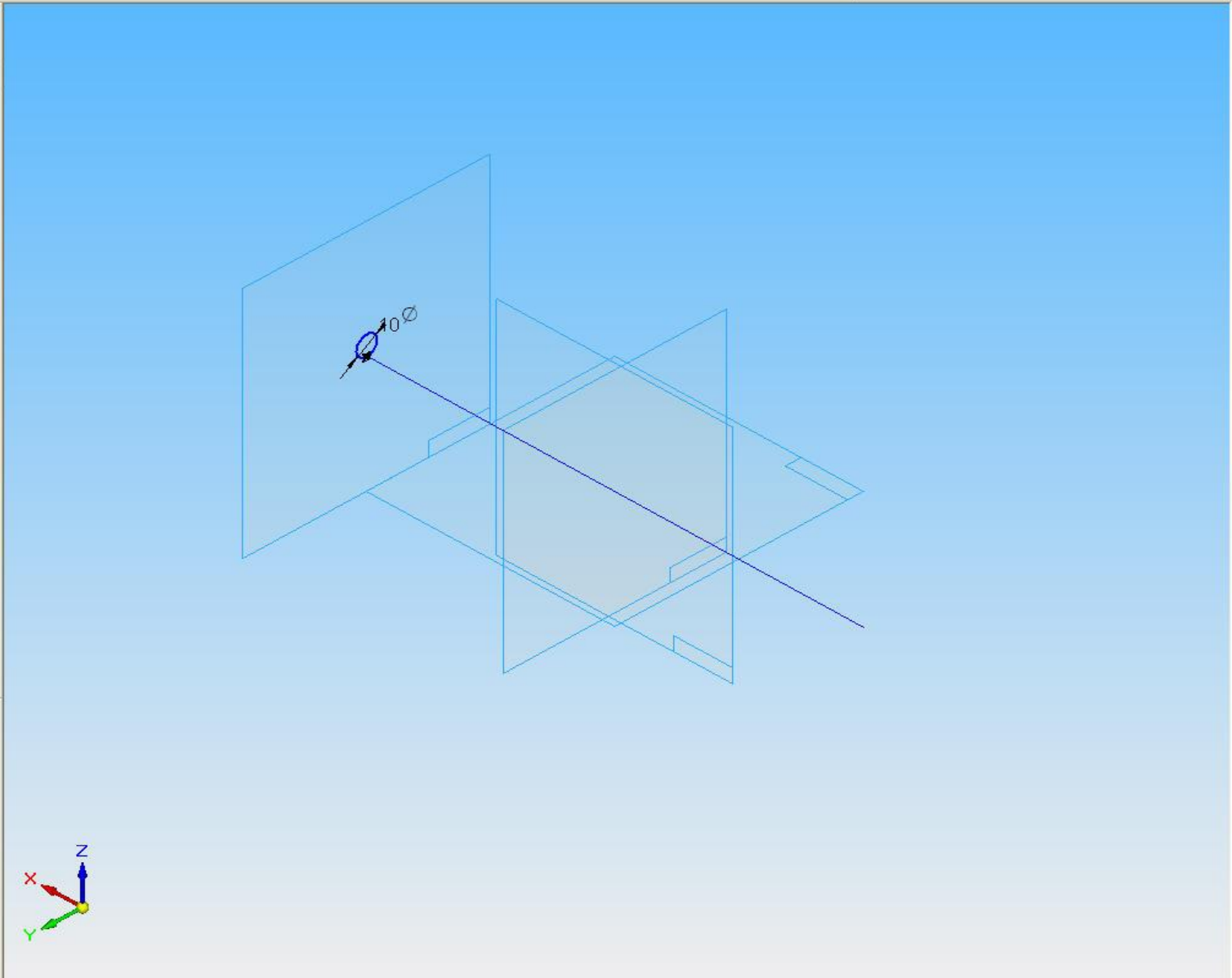




Finish Name: Sketch 2

Click on elements to edit.

- Lainer 2.par
 - Top (xy)
 - Right (yz)
 - Front (xz)
 - Sketch 1
 - Sketch 2
 - Sketch 3
 - Sketch 4
 - Sketch 5
 - Sketch 6
 - Sketch 7
 - Protrusion 1
 - Protrusion 1
 - Protrusion 1
 - Sketch 8
 - Protrusion 2
 - Sketch 9
 - Protrusion 3
 - Sketch 10
 - Protrusion 4
 - Sketch 11
 - Protrusion 5
 - Mirror 8
 - Protrusion 6
 - Protrusion 7
 - Sketch 12
 - Protrusion 8
 - Sketch 13
 - Round 1
 - Round 2
 - Round 3
 - Round 4
 - Round 5
 - Round 6
 - Protrusion 9
 - Protrusion 10
 - Round 7
 - Round 8
 - Cutout 1
 - Protrusion 11
 - Round 9
 - Round 10
 - Round 11

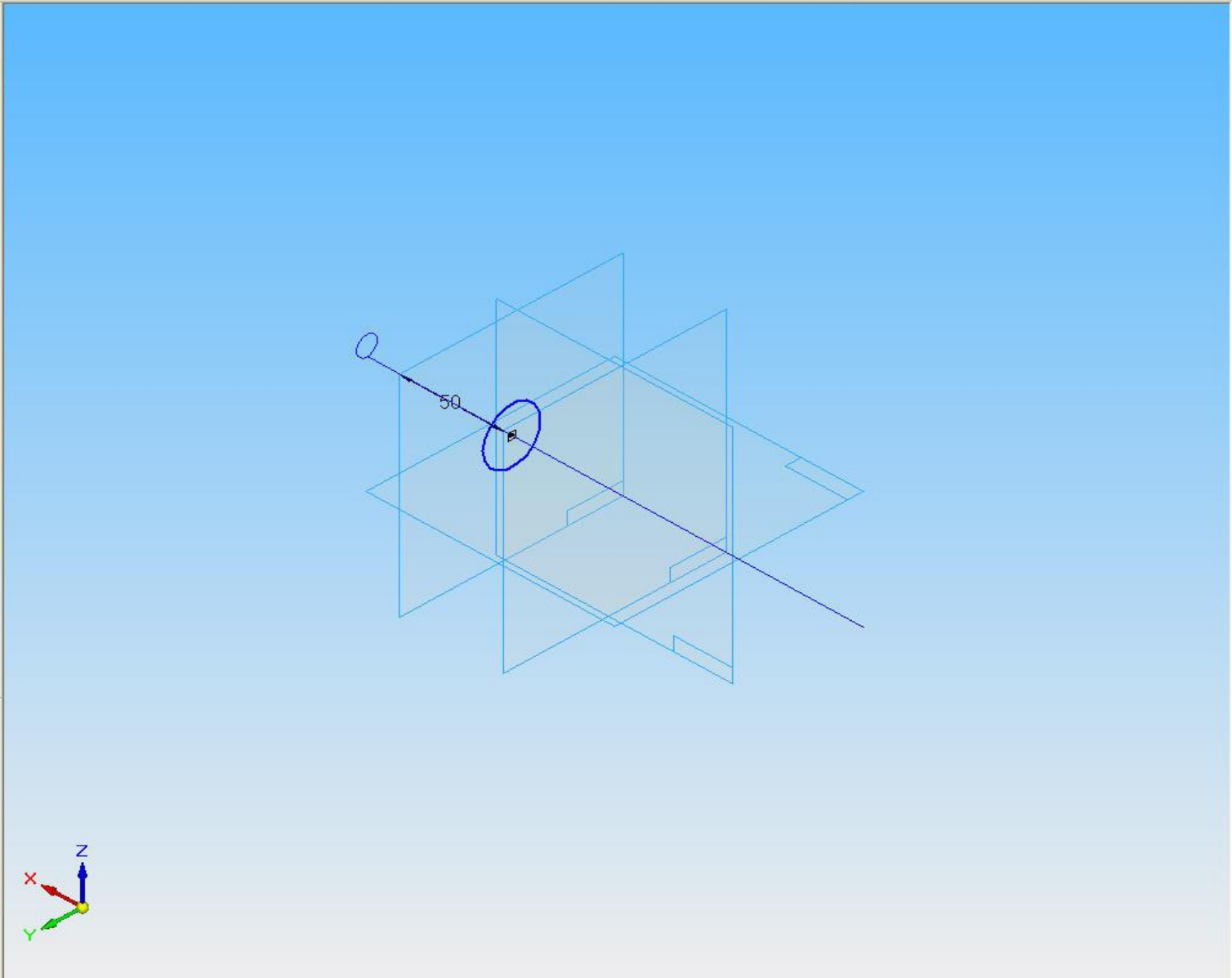




Finish Name: Sketch 3

Click on elements to edit.

- Lainer 2.par
 - Top (xy)
 - Right (yz)
 - Front (xz)
 - Sketch 1
 - Sketch 2
 - Sketch 3
 - Sketch 4
 - Sketch 5
 - Sketch 6
 - Sketch 7
 - Protrusion 1
 - Protrusion 1
 - Protrusion 1
 - Sketch 8
 - Protrusion 2
 - Sketch 9
 - Protrusion 3
 - Sketch 10
 - Protrusion 4
 - Sketch 11
 - Protrusion 5
 - Mirror 8
 - Protrusion 6
 - Protrusion 7
 - Sketch 12
 - Protrusion 8
 - Sketch 13
 - Round 1
 - Round 2
 - Round 3
 - Round 4
 - Round 5
 - Round 6
 - Protrusion 9
 - Protrusion 10
 - Round 7
 - Round 8
 - Cutout 1
 - Protrusion 11
 - Round 9
 - Round 10
 - Round 11

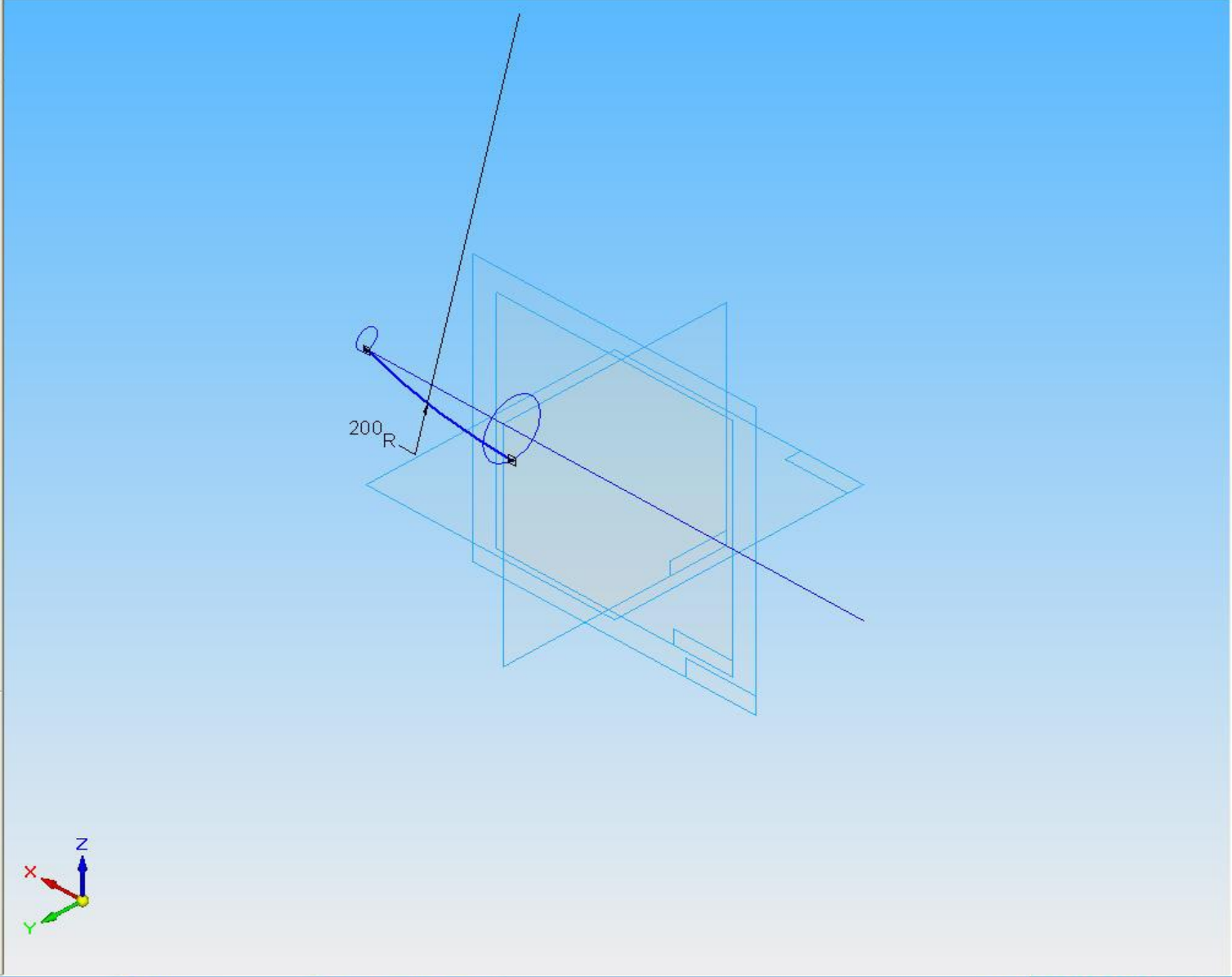




Finish Name: Sketch 4

Click on elements to edit.

- Lainer 2.par
 - Top (xy)
 - Right (yz)
 - Front (xz)
 - Sketch 1
 - Sketch 2
 - Sketch 3
 - Sketch 4
 - Sketch 5
 - Sketch 6
 - Sketch 7
 - Protrusion 1
 - Protrusion 1
 - Protrusion 1
 - Sketch 8
 - Protrusion 2
 - Sketch 9
 - Protrusion 3
 - Sketch 10
 - Protrusion 4
 - Sketch 11
 - Protrusion 5
 - Mirror 8
 - Protrusion 6
 - Protrusion 7
 - Sketch 12
 - Protrusion 8
 - Sketch 13
 - Round 1
 - Round 2
 - Round 3
 - Round 4
 - Round 5
 - Round 6
 - Protrusion 9
 - Protrusion 10
 - Round 7
 - Round 8
 - Cutout 1
 - Protrusion 11
 - Round 9
 - Round 10
 - Round 11

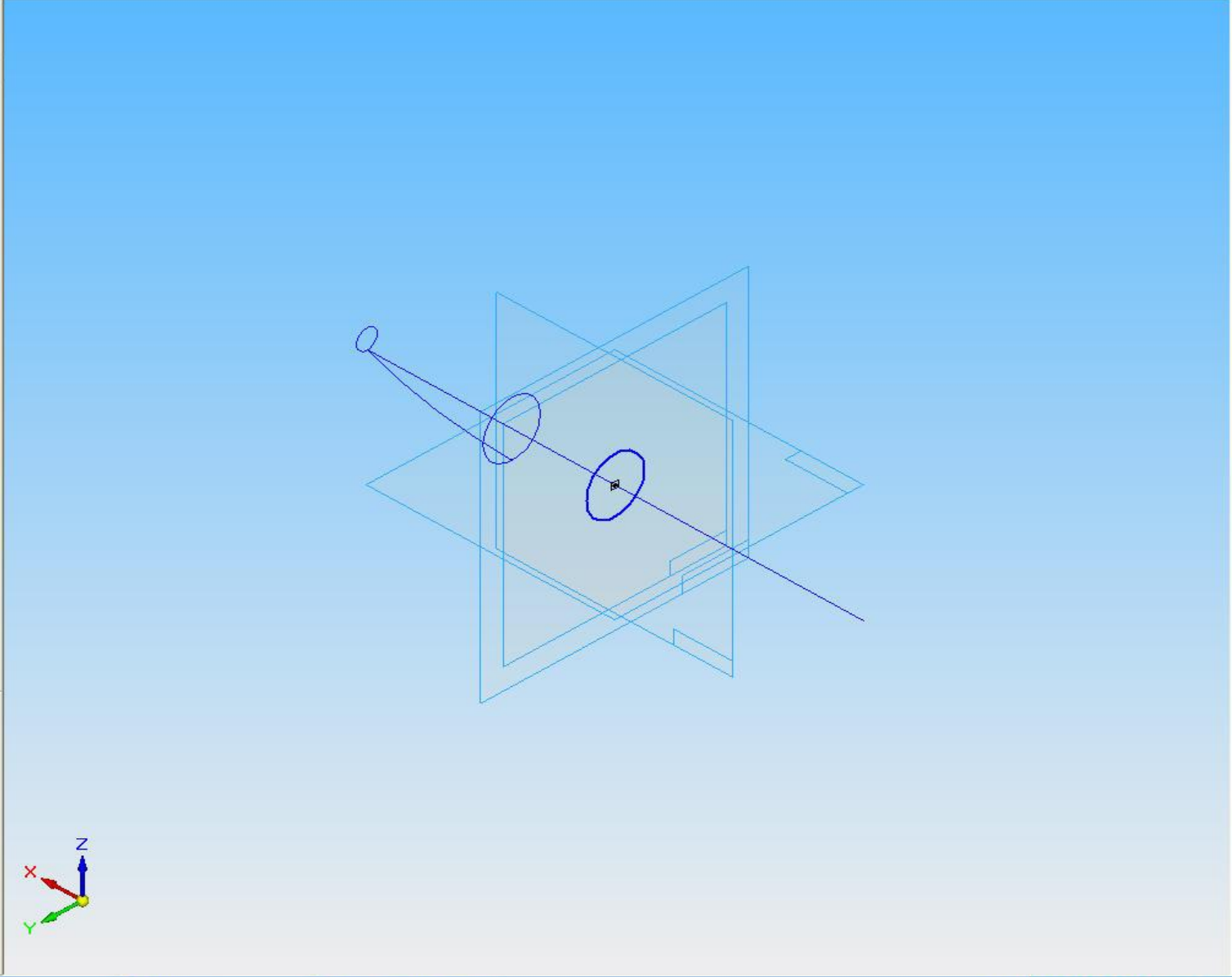




Finish Name: Sketch_5

Click on elements to edit.

- Lainer 2.par
 - Top (xy)
 - Right (yz)
 - Front (xz)
 - Sketch 1
 - Sketch 2
 - Sketch 3
 - Sketch 4
 - Sketch 5
 - Sketch 6
 - Sketch 7
 - Protrusion 1
 - Protrusion 1
 - Protrusion 1
 - Sketch 8
 - Protrusion 2
 - Sketch 9
 - Protrusion 3
 - Sketch 10
 - Protrusion 4
 - Sketch 11
 - Protrusion 5
 - Mirror 8
 - Protrusion 6
 - Protrusion 7
 - Sketch 12
 - Protrusion 8
 - Sketch 13
 - Round 1
 - Round 2
 - Round 3
 - Round 4
 - Round 5
 - Round 6
 - Protrusion 9
 - Protrusion 10
 - Round 7
 - Round 8
 - Cutout 1
 - Protrusion 11
 - Round 9
 - Round 10
 - Round 11

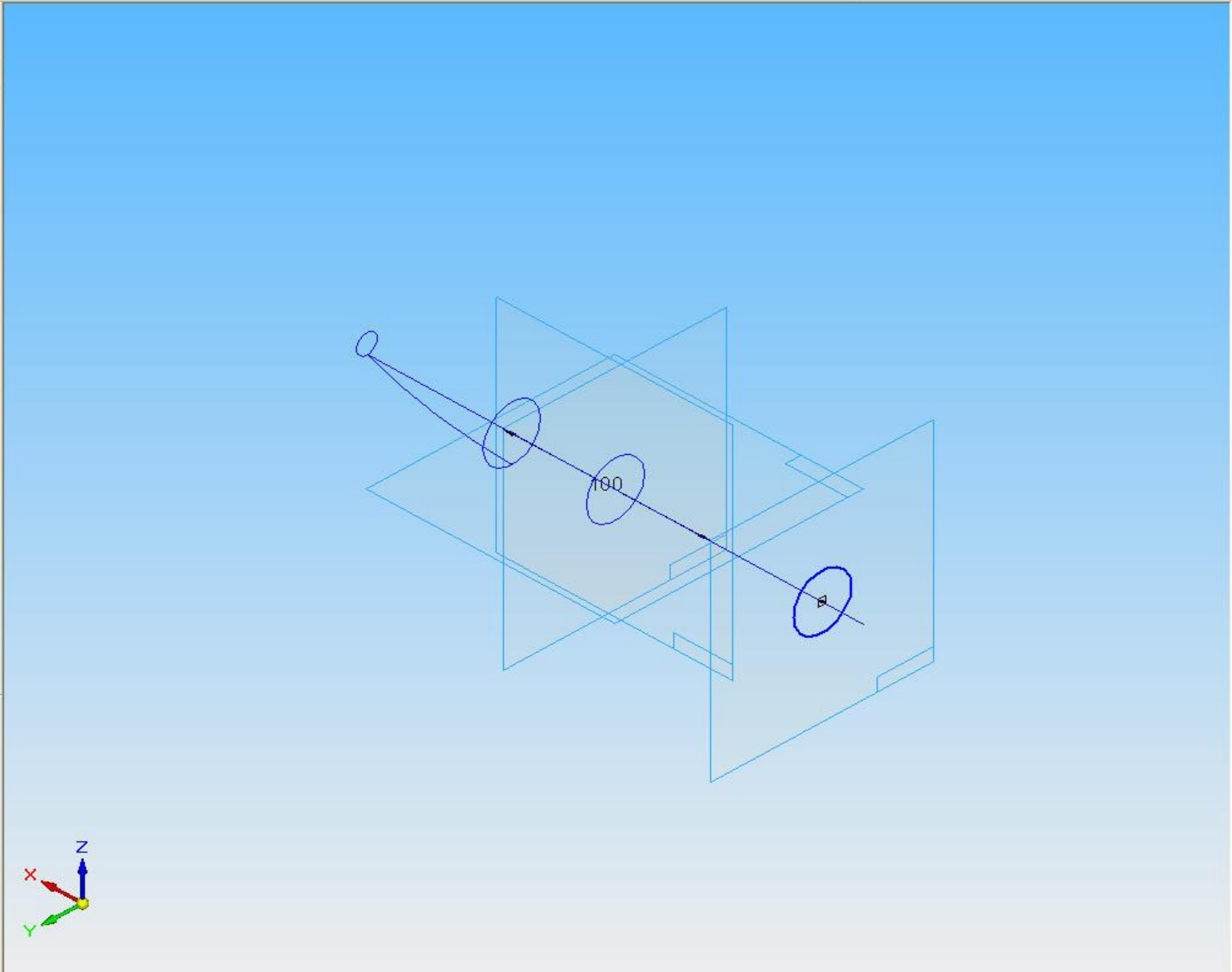




Finish Name: Sketch_6

Click on elements to edit.

- Lainer 2.par
 - Top (xy)
 - Right (yz)
 - Front (xz)
 - Sketch 1
 - Sketch 2
 - Sketch 3
 - Sketch 4
 - Sketch 5
 - Sketch 6
 - Sketch 7
 - Protrusion 1
 - Protrusion 1
 - Protrusion 1
 - Sketch 8
 - Protrusion 2
 - Sketch 9
 - Protrusion 3
 - Sketch 10
 - Protrusion 4
 - Sketch 11
 - Protrusion 5
 - Mirror 8
 - Protrusion 6
 - Protrusion 7
 - Sketch 12
 - Protrusion 8
 - Sketch 13
 - Round 1
 - Round 2
 - Round 3
 - Round 4
 - Round 5
 - Round 6
 - Protrusion 9
 - Protrusion 10
 - Round 7
 - Round 8
 - Cutout 1
 - Protrusion 11
 - Round 9
 - Round 10
 - Round 11

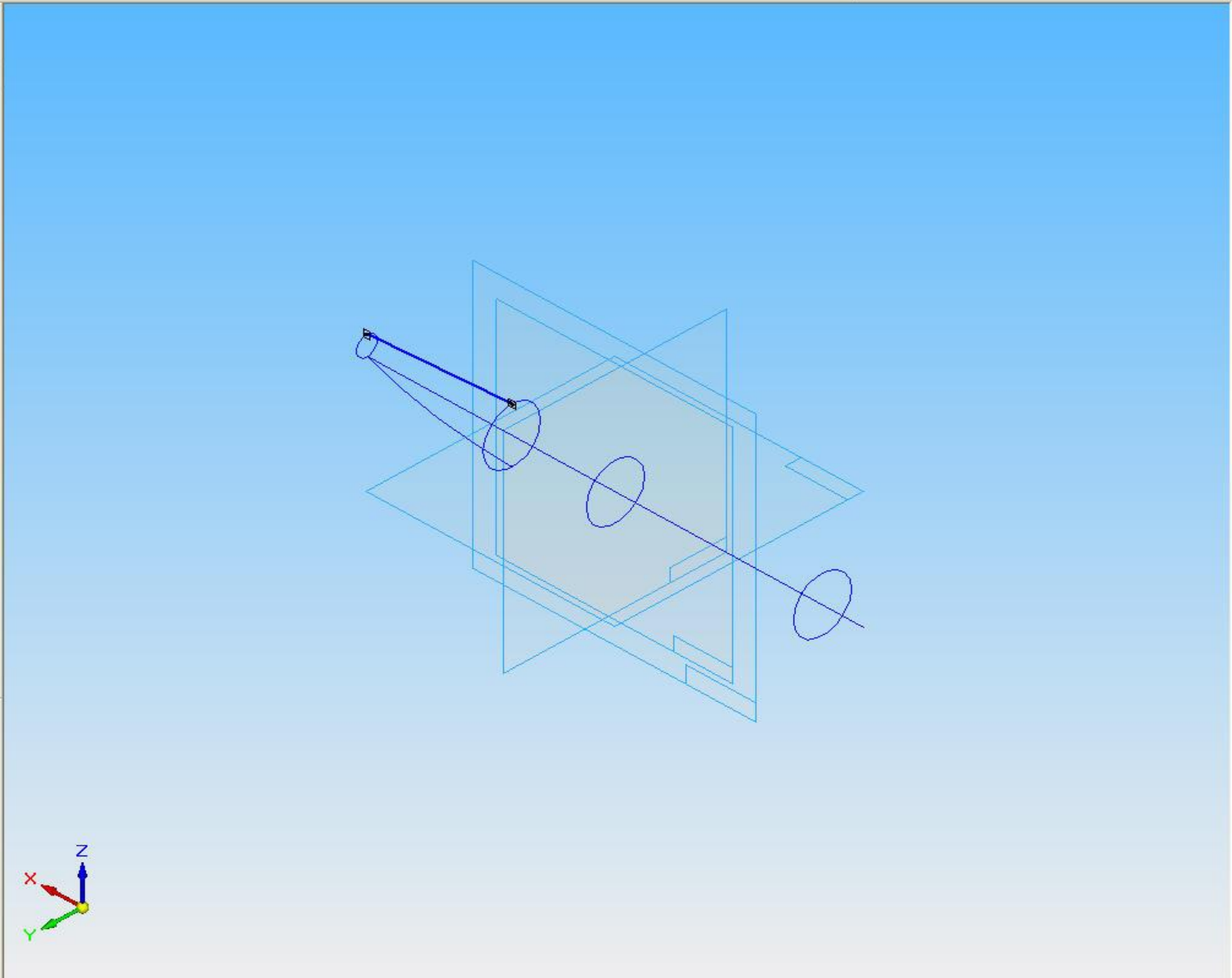




Finish Name: Sketch 7

Click on elements to edit.

- Lainer 2.par
 - Top (xy)
 - Right (yz)
 - Front (xz)
 - Sketch 1
 - Sketch 2
 - Sketch 3
 - Sketch 4
 - Sketch 5
 - Sketch 6
 - Sketch 7
 - Protrusion 1
 - Protrusion 1
 - Protrusion 1
 - Sketch 8
 - Protrusion 2
 - Sketch 9
 - Protrusion 3
 - Sketch 10
 - Protrusion 4
 - Sketch 11
 - Protrusion 5
 - Mirror 8
 - Protrusion 6
 - Protrusion 7
 - Sketch 12
 - Protrusion 8
 - Sketch 13
 - Round 1
 - Round 2
 - Round 3
 - Round 4
 - Round 5
 - Round 6
 - Protrusion 9
 - Protrusion 10
 - Round 7
 - Round 8
 - Cutout 1
 - Protrusion 11
 - Round 9
 - Round 10
 - Round 11

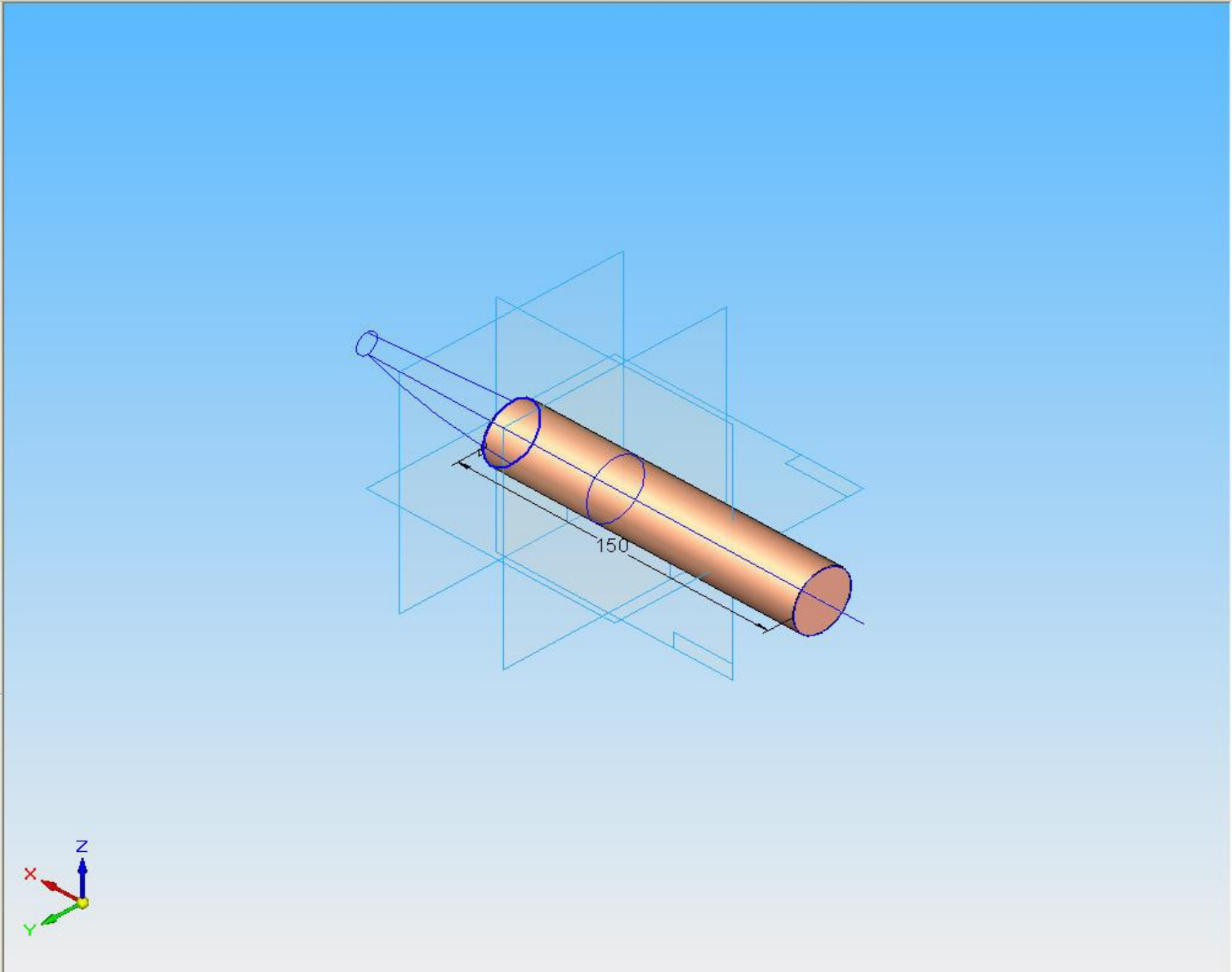




Finish Name: ExtrudedProtrusion_1

Click on elements to edit.

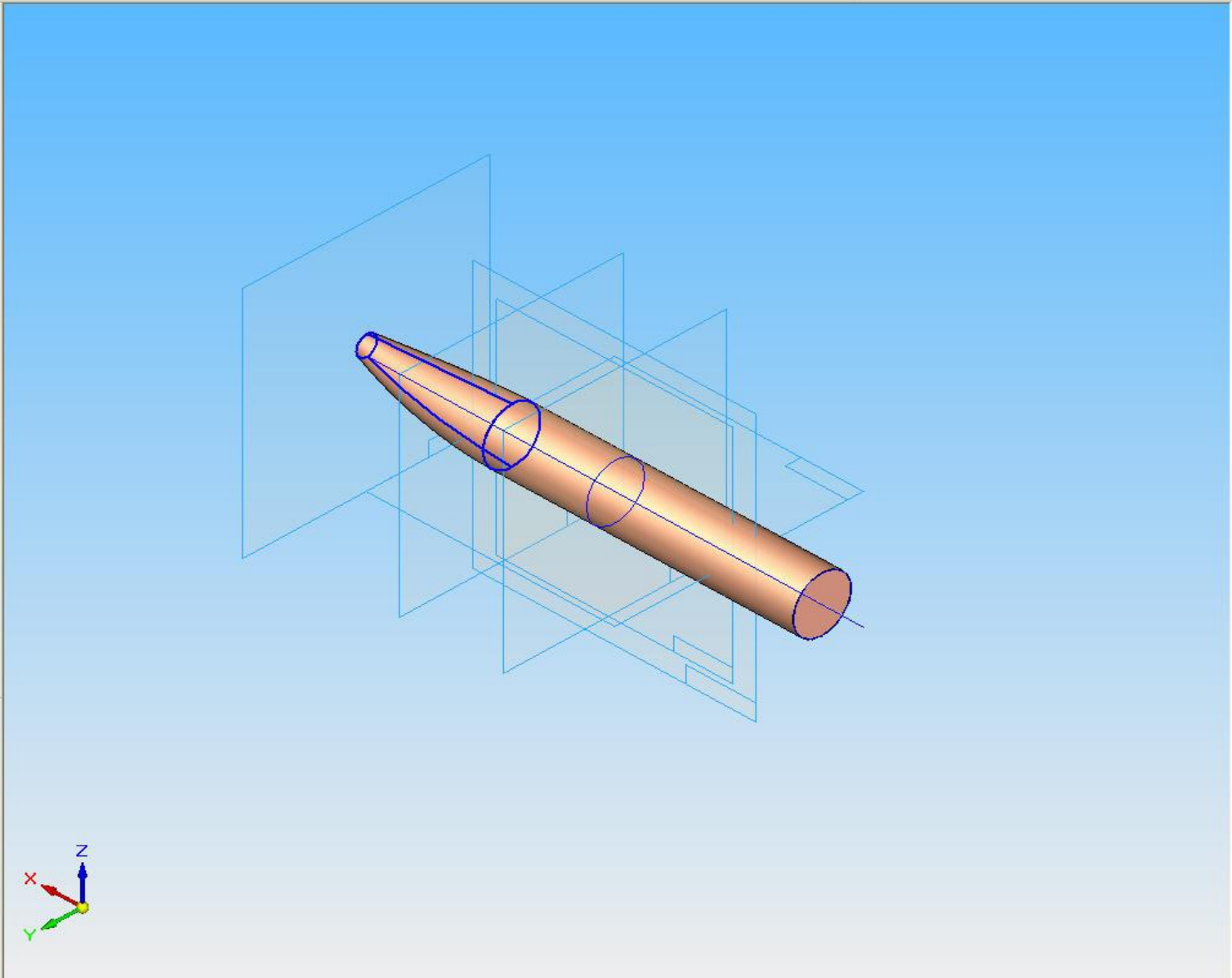
- Lainer 2.par
 - Top (xy)
 - Right (yz)
 - Front (xz)
 - Sketch 1
 - Sketch 2
 - Sketch 3
 - Sketch 4
 - Sketch 5
 - Sketch 6
 - Sketch 7
 - Protrusion 1
 - Protrusion 1
 - Sketch 8
 - Protrusion 2
 - Sketch 9
 - Protrusion 3
 - Sketch 10
 - Protrusion 4
 - Sketch 11
 - Protrusion 5
 - Mirror 8
 - Protrusion 6
 - Protrusion 7
 - Sketch 12
 - Protrusion 8
 - Sketch 13
 - Round 1
 - Round 2
 - Round 3
 - Round 4
 - Round 5
 - Round 6
 - Protrusion 9
 - Protrusion 10
 - Round 7
 - Round 8
 - Cutout 1
 - Protrusion 11
 - Round 9
 - Round 10
 - Round 11





Click on elements to edit.

- Lainer 2.par
 - Top (xy)
 - Right (yz)
 - Front (xz)
 - Sketch 1
 - Sketch 2
 - Sketch 3
 - Sketch 4
 - Sketch 5
 - Sketch 6
 - Sketch 7
 - Protrusion 1
 - Protrusion 1
 - Protrusion 1
 - Sketch 8
 - Protrusion 2
 - Sketch 9
 - Protrusion 3
 - Sketch 10
 - Protrusion 4
 - Sketch 11
 - Protrusion 5
 - Mirror 8
 - Protrusion 6
 - Protrusion 7
 - Sketch 12
 - Protrusion 8
 - Sketch 13
 - Round 1
 - Round 2
 - Round 3
 - Round 4
 - Round 5
 - Round 6
 - Protrusion 9
 - Protrusion 10
 - Round 7
 - Round 8
 - Cutout 1
 - Protrusion 11
 - Round 9
 - Round 10
 - Round 11



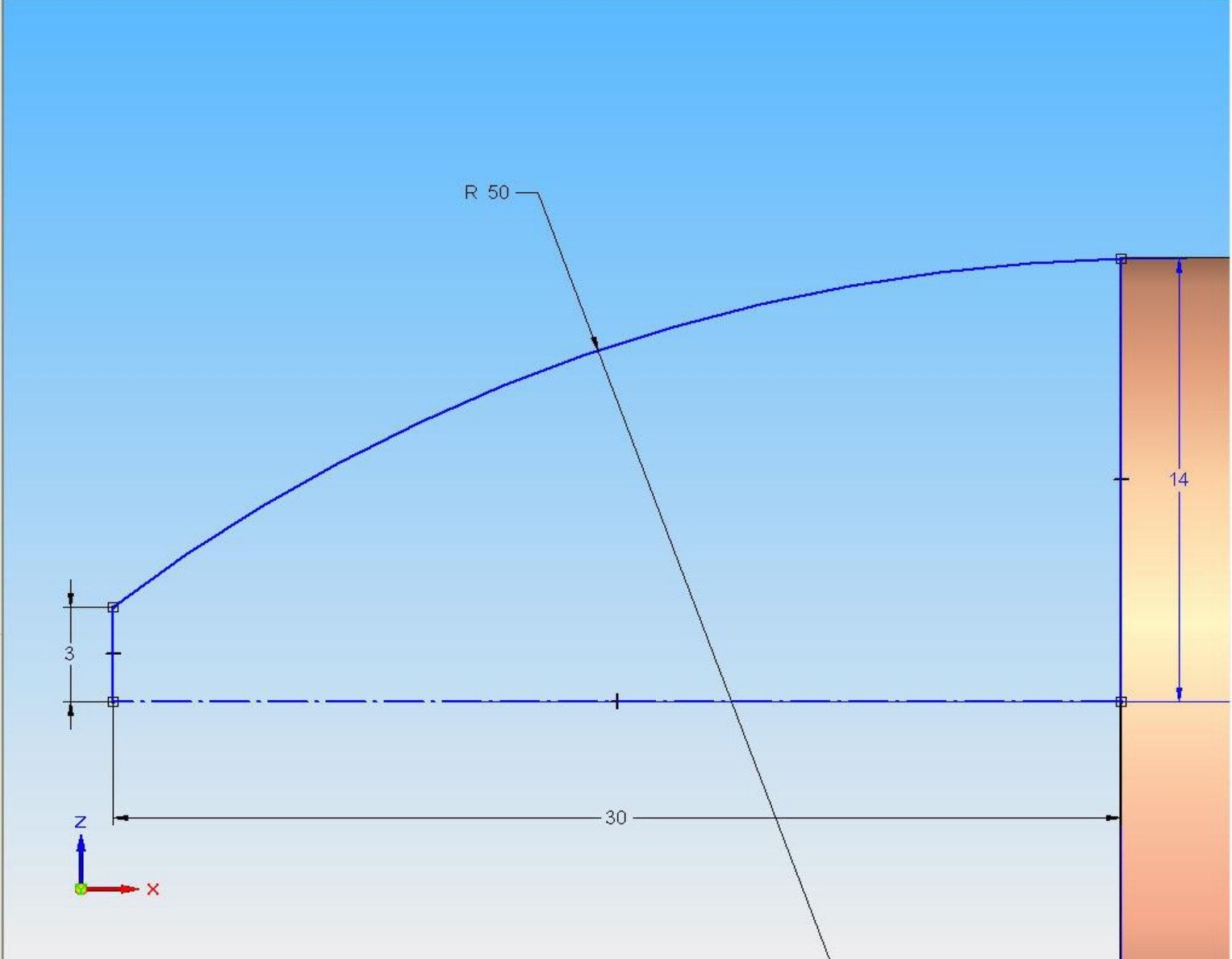
File Edit View Insert Format Tools Inspect Applications Window Help

Return ISO 12 14,00 mm

Click on the element(s) to dimension OR press 't' for tangent.

Lainer 2.par

- Top (xy)
- Right (yz)
- Front (xz)
- Sketch 1
- Sketch 2
- Sketch 3
- Sketch 4
- Sketch 5
- Sketch 6
- Sketch 7
- Protrusion 1
- Protrusion 1
- Sketch 8
- Protrusion 2
- Sketch 9
- Protrusion 3
- Sketch 10
- Protrusion 4
- Sketch 11
- Protrusion 5
- Mirror 8
- Protrusion 6
- Protrusion 7
- Sketch 12
- Protrusion 8
- Sketch 13
- Round 1
- Round 2
- Round 3
- Round 4
- Round 5
- Round 6
- Protrusion 9
- Protrusion 10
- Round 7
- Round 8
- Cutout 1
- Protrusion 11
- Round 9
- Round 10
- Round 11

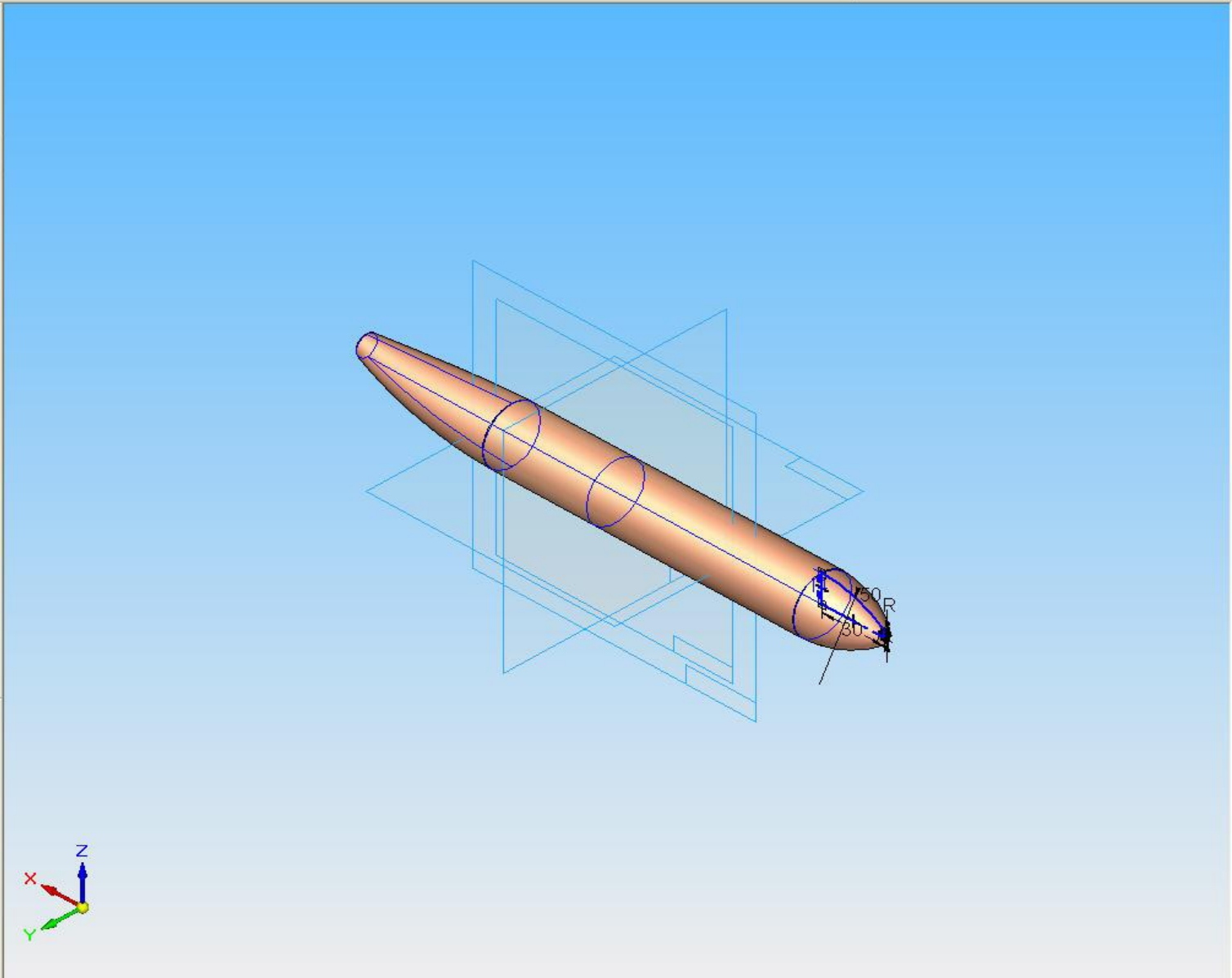




Finish Name: Protrusion 1

Click on elements to edit.

- Lainer 2.par
 - Top (xy)
 - Right (yz)
 - Front (xz)
 - Sketch 1
 - Sketch 2
 - Sketch 3
 - Sketch 4
 - Sketch 5
 - Sketch 6
 - Sketch 7
 - Protrusion 1
 - Protrusion 1
 - Protrusion 1
 - Sketch 8
 - Protrusion 2
 - Sketch 9
 - Protrusion 3
 - Sketch 10
 - Protrusion 4
 - Sketch 11
 - Protrusion 5
 - Mirror 8
 - Protrusion 6
 - Protrusion 7
 - Sketch 12
 - Protrusion 8
 - Sketch 13
 - Round 1
 - Round 2
 - Round 3
 - Round 4
 - Round 5
 - Round 6
 - Protrusion 9
 - Protrusion 10
 - Round 7
 - Round 8
 - Cutout 1
 - Protrusion 11
 - Round 9
 - Round 10
 - Round 11

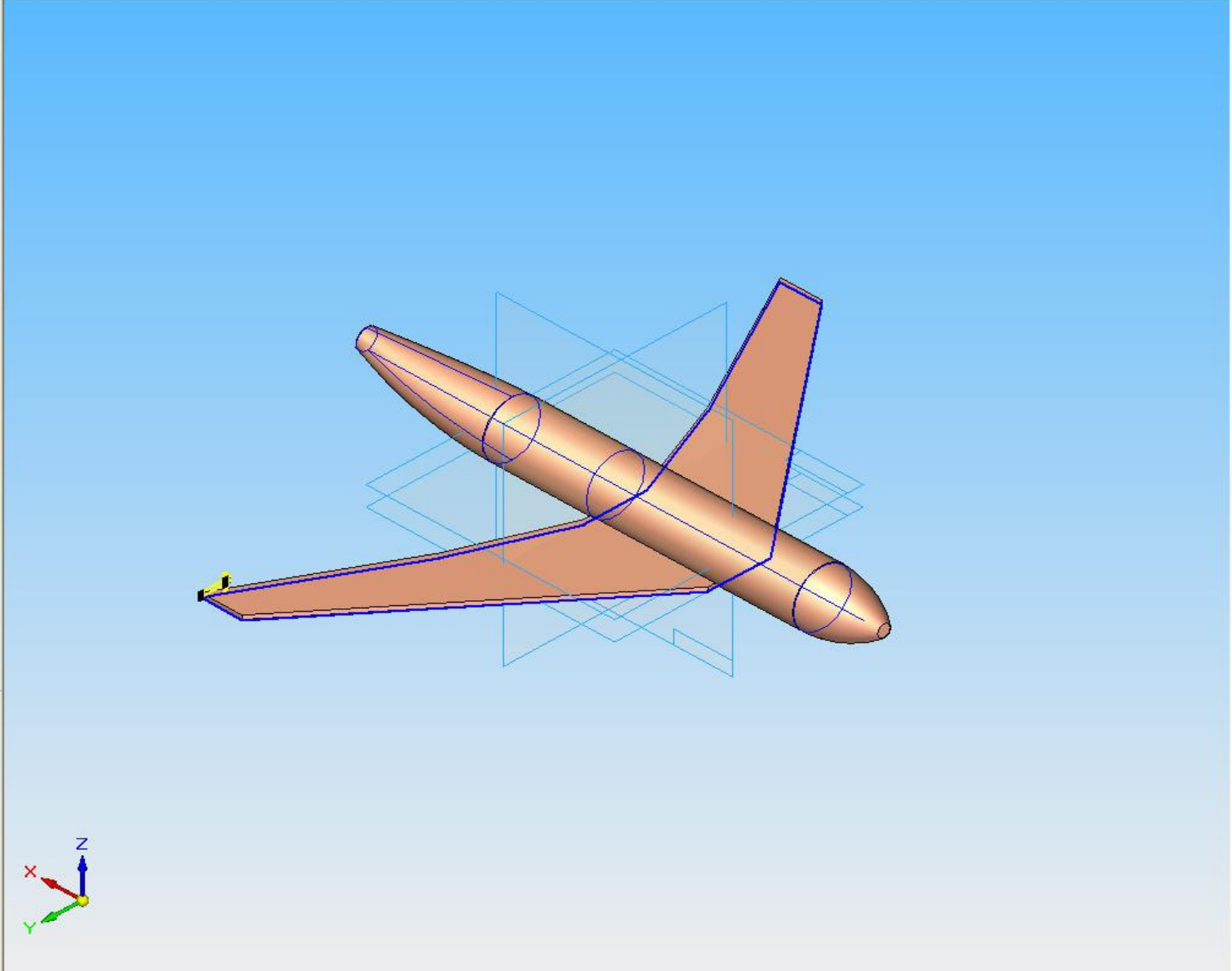


Finish Name: ExtrudedProtrusion_2 ISO .12 2,00 mm

Alt + drag connect handles to change parent geometry. Ctrl + Alt + drag to maintain current value.

- Lainer 2.par
 - Top (xy)
 - Right (yz)
 - Front (xz)
 - Sketch 1
 - Sketch 2
 - Sketch 3
 - Sketch 4
 - Sketch 5
 - Sketch 6
 - Sketch 7
 - Protrusion 1
 - Protrusion 1
 - Protrusion 1
 - Sketch 8
 - Protrusion 2
 - Sketch 9
 - Protrusion 3
 - Sketch 10
 - Protrusion 4
 - Sketch 11
 - Protrusion 5
 - Mirror 8
 - Protrusion 6
 - Protrusion 7
 - Sketch 12
 - Protrusion 8
 - Sketch 13
 - Round 1
 - Round 2
 - Round 3
 - Round 4
 - Round 5
 - Round 6
 - Protrusion 9
 - Protrusion 10
 - Round 7
 - Round 8
 - Cutout 1
 - Protrusion 11
 - Round 9
 - Round 10
 - Round 11

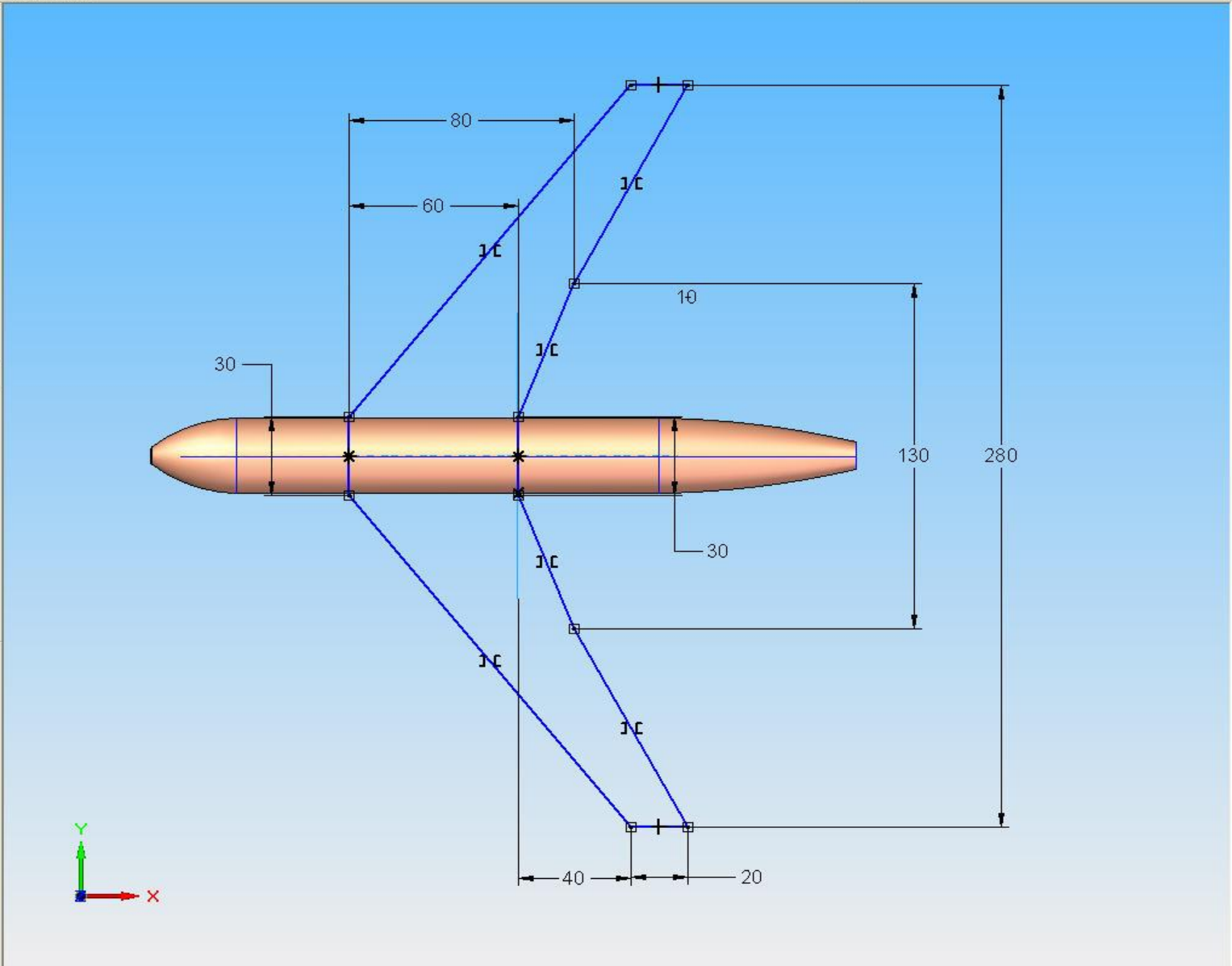
Navigation and manipulation tools including pan, rotate, zoom, and feature tree navigation icons.



Click on the dimension measurement element. OR press 't' for tangent.

Lainer 2.par

- Top (xy)
- Right (yz)
- Front (xz)
- Sketch 1
- Sketch 2
- Sketch 3
- Sketch 4
- Sketch 5
- Sketch 6
- Sketch 7
- Protrusion 1
- Protrusion 1
- Protrusion 1
- Sketch 8
- Protrusion 2
- Sketch 9
- Protrusion 3
- Sketch 10
- Protrusion 4
- Sketch 11
- Protrusion 5
- Mirror 8
- Protrusion 6
- Protrusion 7
- Sketch 12
- Protrusion 8
- Sketch 13
- Round 1
- Round 2
- Round 3
- Round 4
- Round 5
- Round 6
- Protrusion 9
- Protrusion 10
- Round 7
- Round 8
- Cutout 1
- Protrusion 11
- Round 9
- Round 10
- Round 11

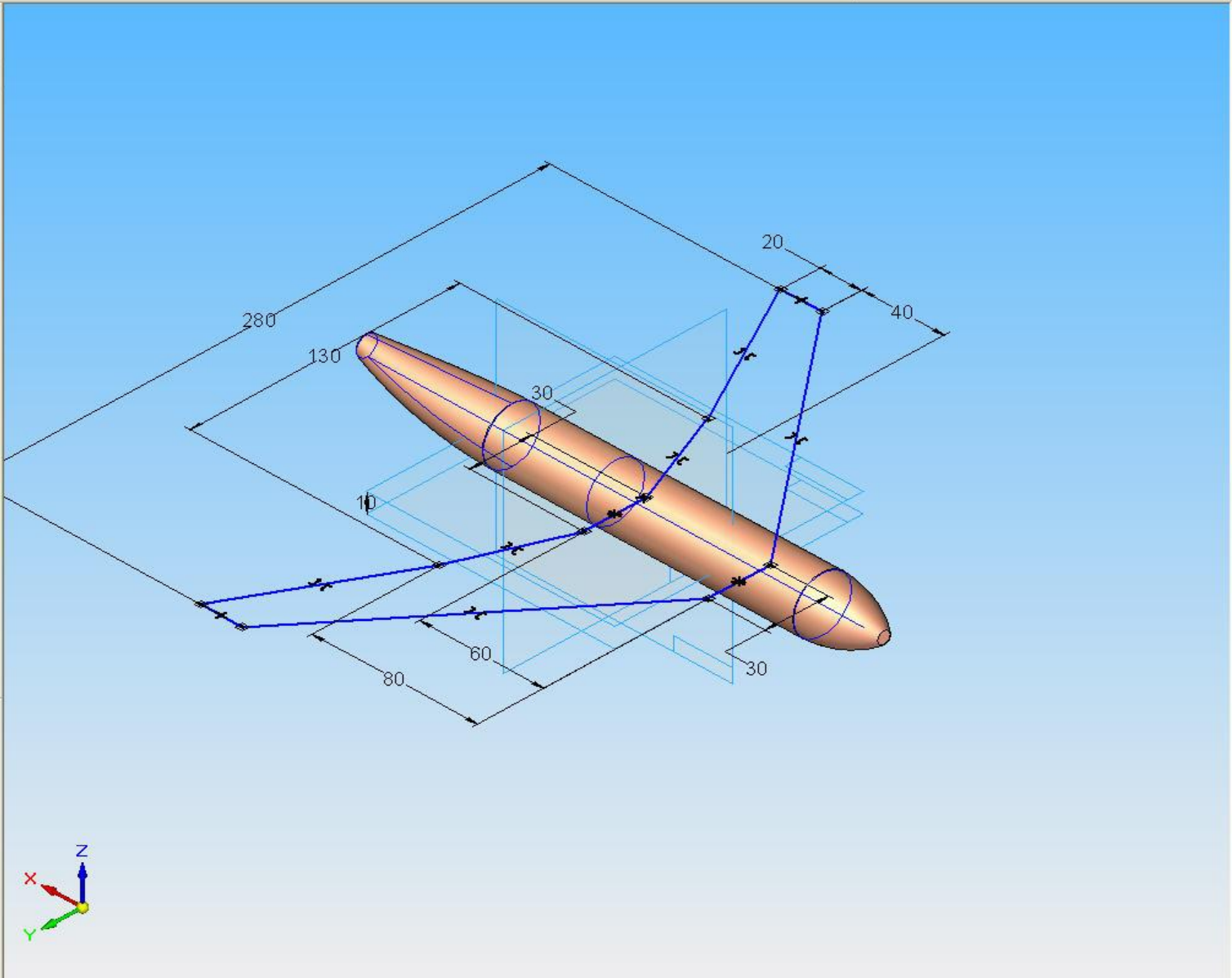




Finish Name: Sketch 8

Click on elements to edit.

- Lainer 2.par
 - Top (xy)
 - Right (yz)
 - Front (xz)
 - Sketch 1
 - Sketch 2
 - Sketch 3
 - Sketch 4
 - Sketch 5
 - Sketch 6
 - Sketch 7
 - Protrusion 1
 - Protrusion 1
 - Protrusion 1
 - Sketch 8
 - Protrusion 2
 - Sketch 9
 - Protrusion 3
 - Sketch 10
 - Protrusion 4
 - Sketch 11
 - Protrusion 5
 - Mirror 8
 - Protrusion 6
 - Protrusion 7
 - Sketch 12
 - Protrusion 8
 - Sketch 13
 - Round 1
 - Round 2
 - Round 3
 - Round 4
 - Round 5
 - Round 6
 - Protrusion 9
 - Protrusion 10
 - Round 7
 - Round 8
 - Cutout 1
 - Protrusion 11
 - Round 9
 - Round 10
 - Round 11

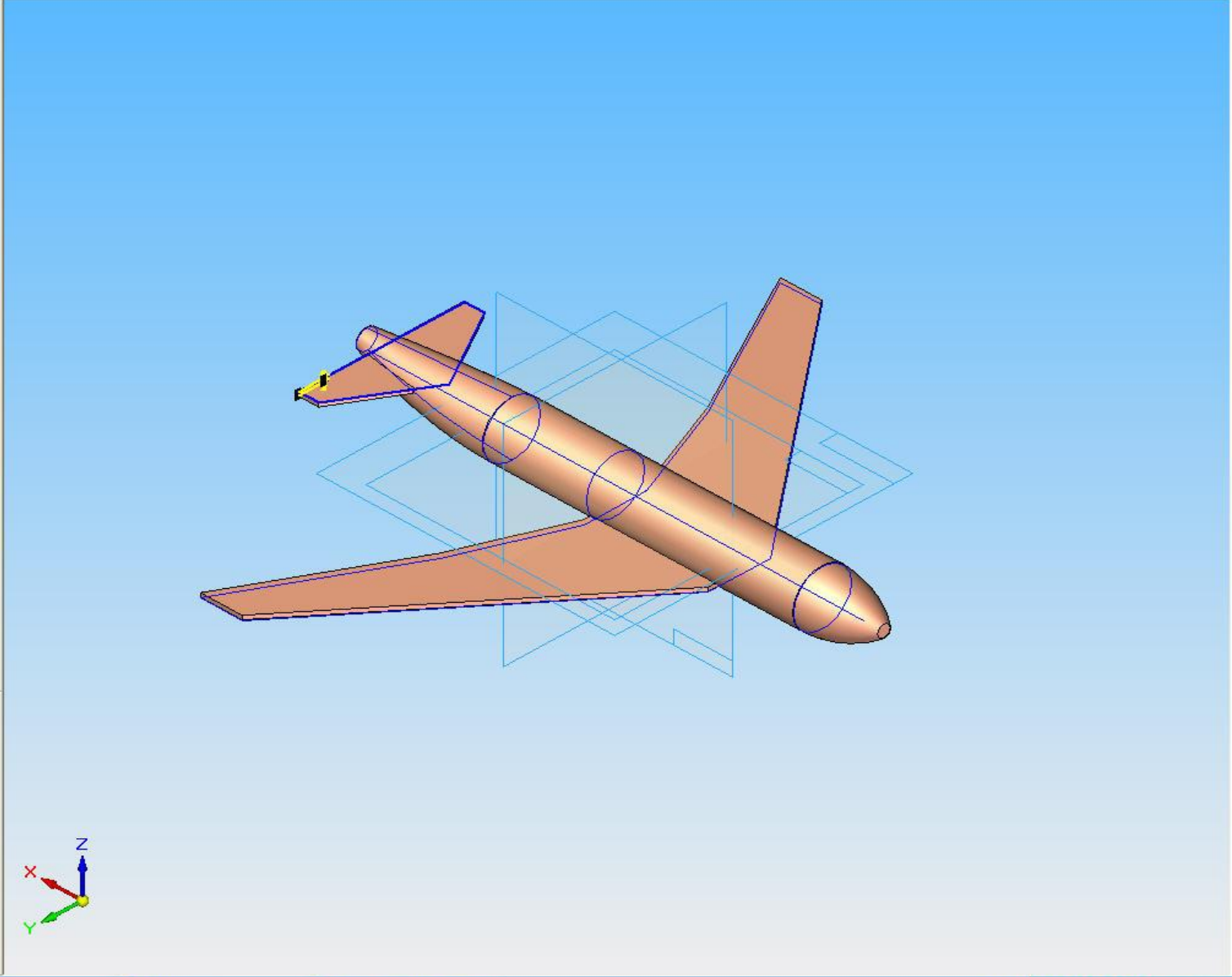


Finish Name: ExtrudedProtrusion_3 ISO .12 2,00 mm

Alt + drag connect handles to change parent geometry. Ctrl + Alt + drag to maintain current value.

Lainer 2.par

- Top (xy)
- Right (yz)
- Front (xz)
- Sketch 1
- Sketch 2
- Sketch 3
- Sketch 4
- Sketch 5
- Sketch 6
- Sketch 7
- Protrusion 1
- Protrusion 1
- Protrusion 1
- Sketch 8
- Protrusion 2
- Sketch 9
- Protrusion 3
- Sketch 10
- Protrusion 4
- Sketch 11
- Protrusion 5
- Mirror 8
- Protrusion 6
- Protrusion 7
- Sketch 12
- Protrusion 8
- Sketch 13
- Round 1
- Round 2
- Round 3
- Round 4
- Round 5
- Round 6
- Protrusion 9
- Protrusion 10
- Round 7
- Round 8
- Cutout 1
- Protrusion 11
- Round 9
- Round 10
- Round 11

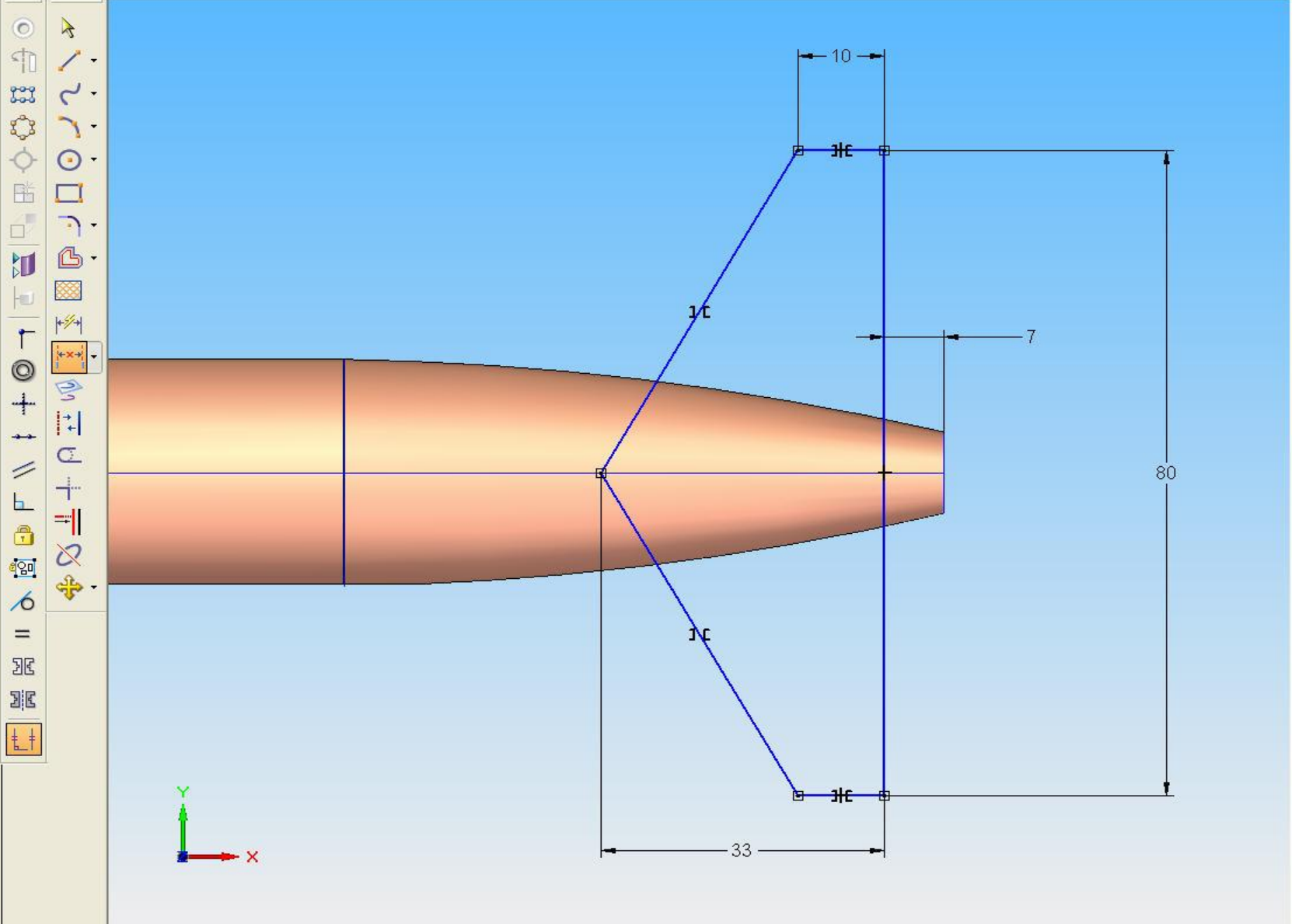


File Edit View Insert Format Tools Inspect Applications Window Help

Return ISO .12 83.00 mm Horizontal/Vertical

Click on the dimension measurement element. OR press 't' for tangent.

- Lainer 2.par
 - Top (xy)
 - Right (yz)
 - Front (xz)
 - Sketch 1
 - Sketch 2
 - Sketch 3
 - Sketch 4
 - Sketch 5
 - Sketch 6
 - Sketch 7
 - Protrusion 1
 - Protrusion 1
 - Protrusion 1
 - Sketch 8
 - Protrusion 2
 - Sketch 9
 - Protrusion 3
 - Sketch 10
 - Protrusion 4
 - Sketch 11
 - Protrusion 5
 - Mirror 8
 - Protrusion 6
 - Protrusion 7
 - Sketch 12
 - Protrusion 8
 - Sketch 13
 - Round 1
 - Round 2
 - Round 3
 - Round 4
 - Round 5
 - Round 6
 - Protrusion 9
 - Protrusion 10
 - Round 7
 - Round 8
 - Cutout 1
 - Protrusion 11
 - Round 9
 - Round 10
 - Round 11

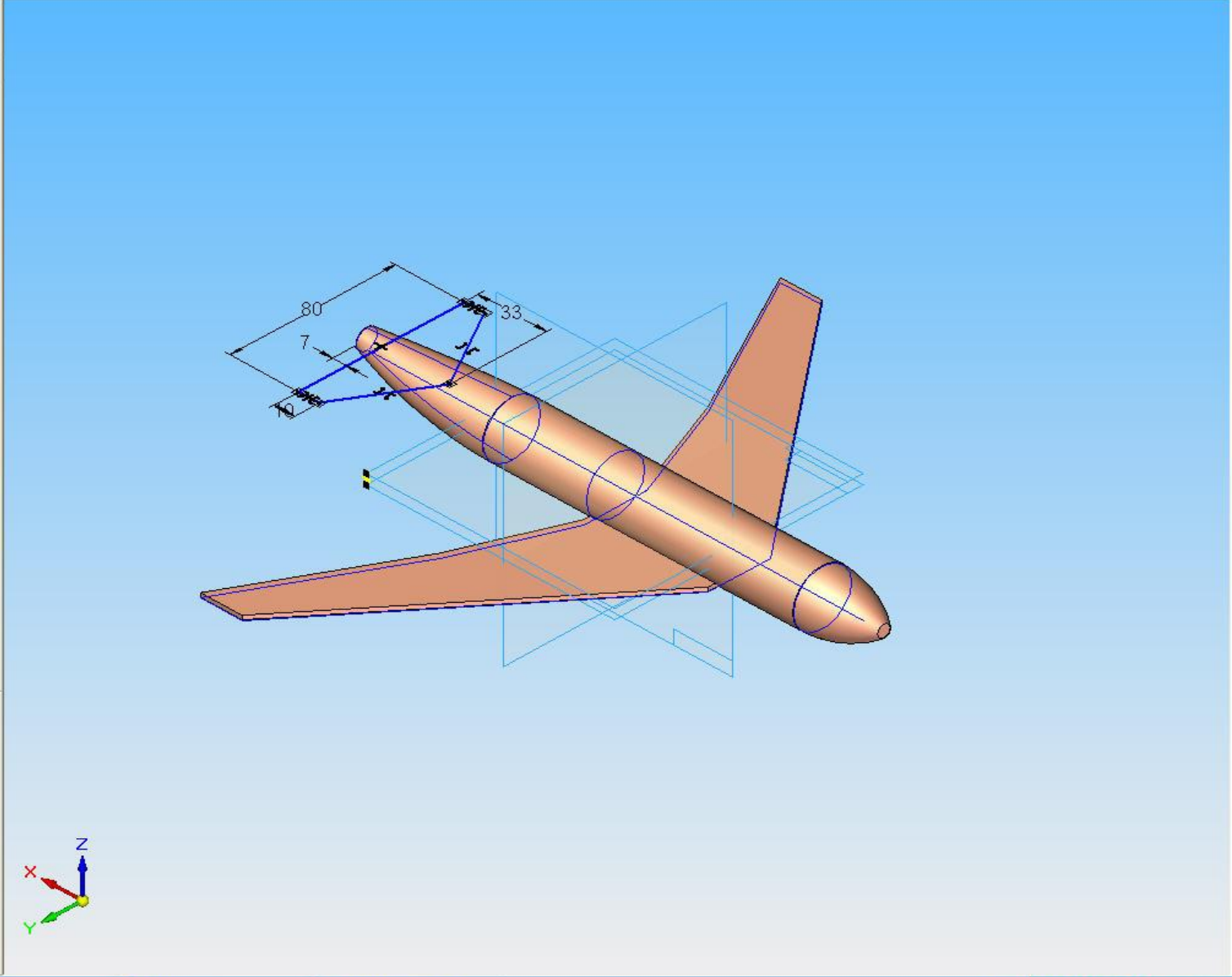


Finish Name: Sketch 9 ISO .12 5,00 mm

Alt + drag connect handles to change parent geometry. Ctrl + Alt + drag to maintain current value.

- Lainer 2.par
 - Top (xy)
 - Right (yz)
 - Front (xz)
 - Sketch 1
 - Sketch 2
 - Sketch 3
 - Sketch 4
 - Sketch 5
 - Sketch 6
 - Sketch 7
 - Protrusion 1
 - Protrusion 1
 - Protrusion 1
 - Sketch 8
 - Protrusion 2
 - Sketch 9
 - Protrusion 3
 - Sketch 10
 - Protrusion 4
 - Sketch 11
 - Protrusion 5
 - Mirror 8
 - Protrusion 6
 - Protrusion 7
 - Sketch 12
 - Protrusion 8
 - Sketch 13
 - Round 1
 - Round 2
 - Round 3
 - Round 4
 - Round 5
 - Round 6
 - Protrusion 9
 - Protrusion 10
 - Round 7
 - Round 8
 - Cutout 1
 - Protrusion 11
 - Round 9
 - Round 10
 - Round 11

Navigation and tool icons for the CAD software interface.

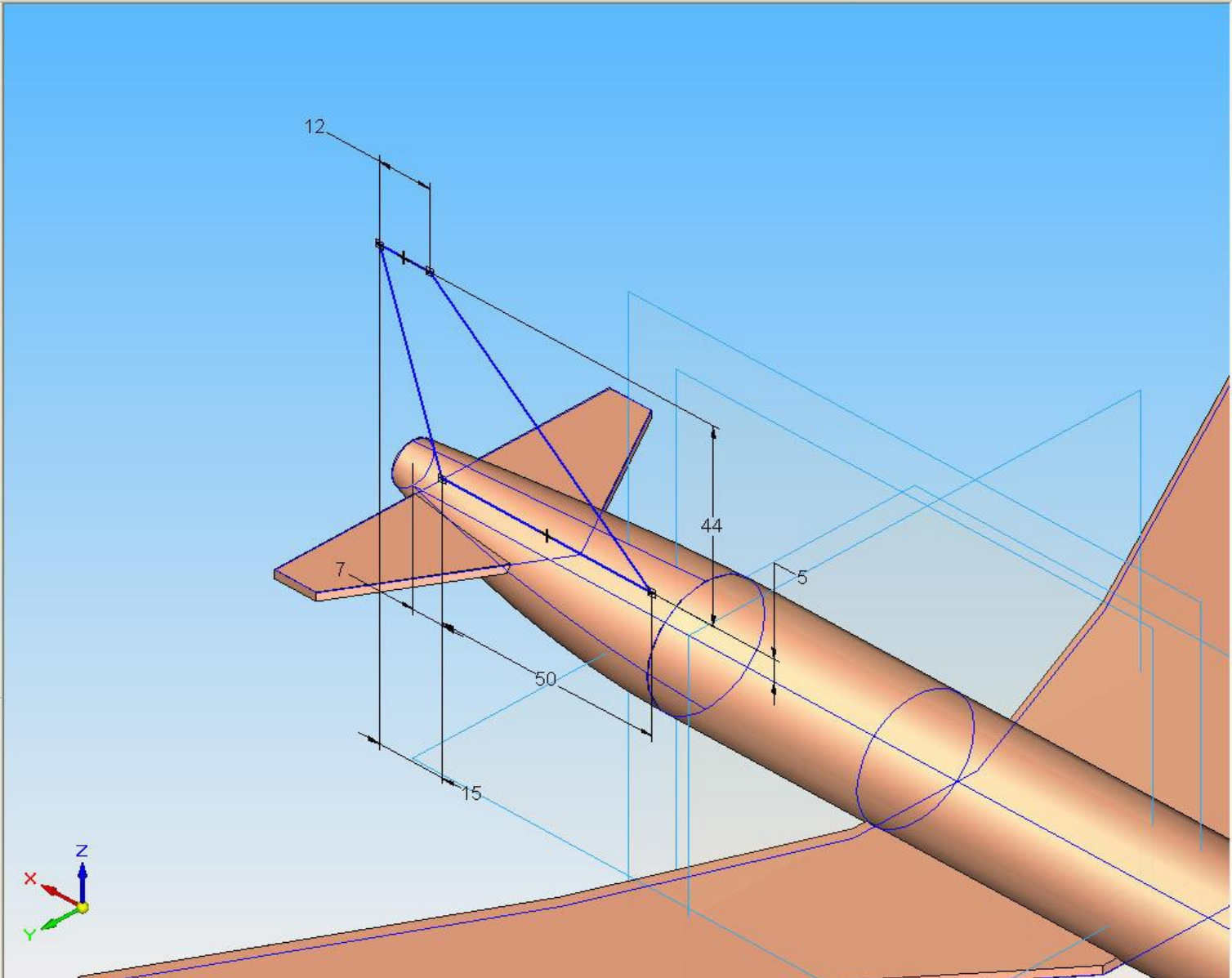




Finish Name: Sketch 10

Click on elements to edit.

- Lainer 2.par
 - Top (xy)
 - Right (yz)
 - Front (xz)
 - Sketch 1
 - Sketch 2
 - Sketch 3
 - Sketch 4
 - Sketch 5
 - Sketch 6
 - Sketch 7
 - Protrusion 1
 - Protrusion 1
 - Protrusion 1
 - Sketch 8
 - Protrusion 2
 - Sketch 9
 - Protrusion 3
 - Sketch 10
 - Protrusion 4
 - Sketch 11
 - Protrusion 5
 - Mirror 8
 - Protrusion 6
 - Protrusion 7
 - Sketch 12
 - Protrusion 8
 - Sketch 13
 - Round 1
 - Round 2
 - Round 3
 - Round 4
 - Round 5
 - Round 6
 - Protrusion 9
 - Protrusion 10
 - Round 7
 - Round 8
 - Cutout 1
 - Protrusion 11
 - Round 9
 - Round 10
 - Round 11



Finish Name: ExtrudedProtrusion_4 ISO .12 2,00 mm

Alt + drag connect handles to change parent geometry. Ctrl + Alt + drag to maintain current value.

- Lainer 2.par
 - Top (xy)
 - Right (yz)
 - Front (xz)
 - Sketch 1
 - Sketch 2
 - Sketch 3
 - Sketch 4
 - Sketch 5
 - Sketch 6
 - Sketch 7
 - Protrusion 1
 - Protrusion 1
 - Protrusion 1
 - Sketch 8
 - Protrusion 2
 - Sketch 9
 - Protrusion 3
 - Sketch 10
 - Protrusion 4
 - Sketch 11
 - Protrusion 5
 - Mirror 8
 - Protrusion 6
 - Protrusion 7
 - Sketch 12
 - Protrusion 8
 - Sketch 13
 - Round 1
 - Round 2
 - Round 3
 - Round 4
 - Round 5
 - Round 6
 - Protrusion 9
 - Protrusion 10
 - Round 7
 - Round 8
 - Cutout 1
 - Protrusion 11
 - Round 9
 - Round 10
 - Round 11

