

GENERATION LIGHTING

CW1002PN: Linear Sconce



Collection: Garrett

Simple cylindrical glass accented by large machined bolt hardware.

Each fixture is designed to highlight the warm glow from filament tube bulb.

Available in two finish options: Antique Gild and Smith Steel

Assortment includes: small, large pendant; one-light wall sconce; two-light flush mount one-light table lamp

Damp Rated

UPC #: 014817598247

Finish: Polished Nickel (PN)

Dimensions:

Width: 4" **Extends:** 5 19/32"
Height: 18" **Wire:** 8" (color/Black/White)
Weight: 8.14 lbs. **Mounting Proc.:** Wall / Bath
Connection: Mounted To Box

Bulbs:

2 - Medium T10 60w Max. 120v - Not included

Features:

- This fixture features mouth-blown glass and slight variations are an inherent part of the handcrafting process.
- Fixture may be mounted horizontal or vertical

Material List:

1 Body - Steel - Polished Nickel

Safety Listing:

Safety Listed for Damp Locations
 Safety Listed for Damp Locations

Instruction Sheets:

English (CW1002)

Part	Material	Finish	Quantity	Item Number	Length	Width	Height	Diameter	Fitter Diameter	Shade Top Length	Shade Top Width	Shade Top Diameter
Shade / Glass / Diffuser Details:												
Shade	Glass	Clear	1		16	4	4 1/4					

Backplate / Canopy Details:

Type	Height / Length	Width	Depth	Diameter	Outlet Box Up	Outlet Box Down
Back Plate	18	4	3/4		9	

Shipping Information:

Package Type	Product #	Quantity	UPC	Length	Width	Height	Cube	Weight	Fr. Class	UPS Ship
Individual	CW1002PN	1	014817598247	21.5	8	14.25	1.418	10	125	Yes
NJ Pallet		50		48	40	77	85.556	500		No
NV Pallet		50		48	40	77	85.556	500		No

Garrett Wall GENERATION LIGHTING

GENERATION LIGHTING
Wall

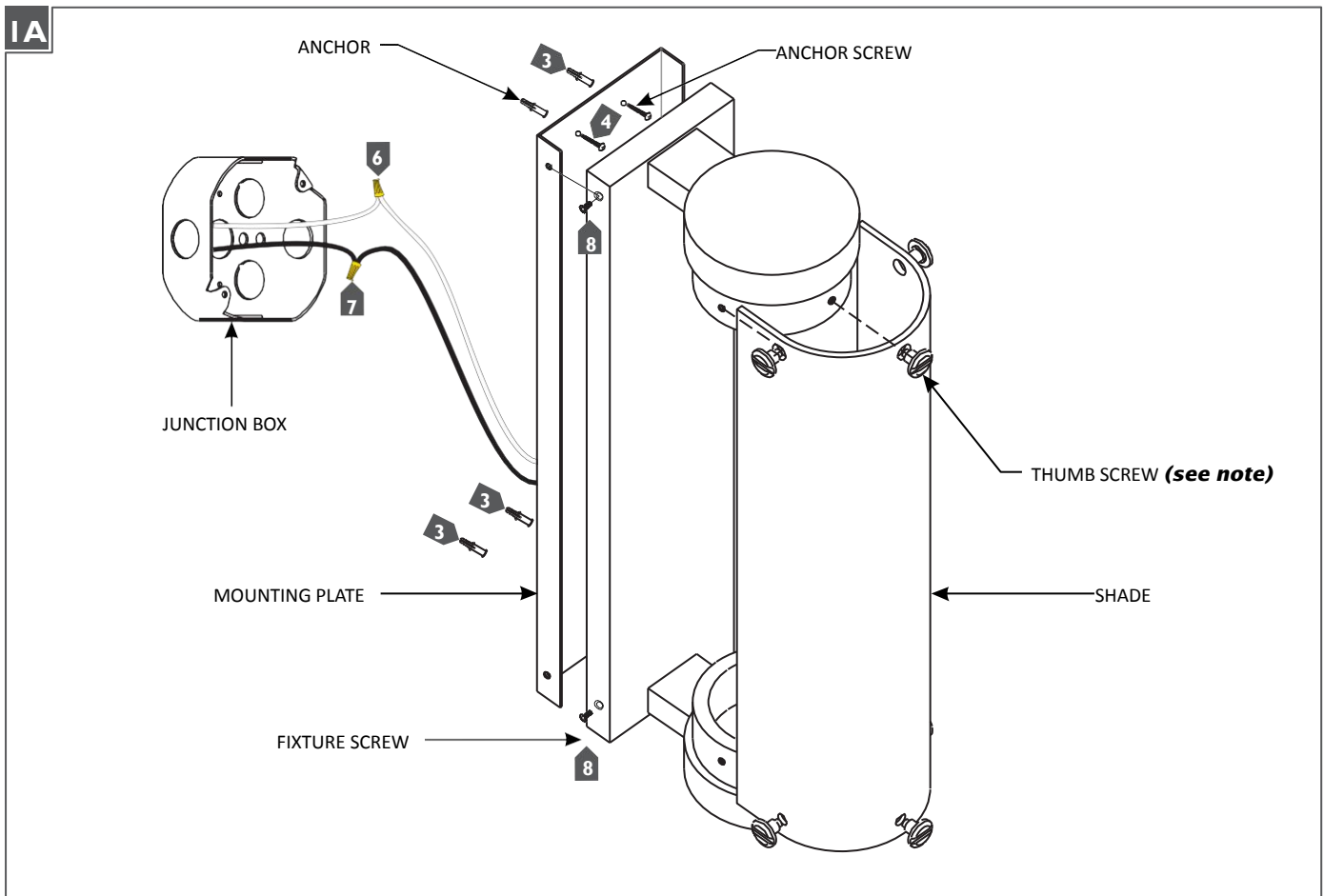
GENERAL PRODUCT INFORMATION:

These fixtures are intended to be installed utilizing NEC compliant junction boxes.

This product is safety listed for damp locations.

Incandescent lamps may be dimmed with a standard incandescent dimmer. LED lamps may be dimmed with a LED dimmer. Consult lamp manufacturer for additional information.

CAUTION - RISK OF FIRE
This product must be installed in accordance with the applicable installation code by a person familiar with the construction and operation of the product and the hazards involved.
Use minimum 90°c supply conductors.



Temporarily install the mounting plate to the junction box.

Mark the anchor locations through the holes on the mounting plate, then remove the mounting plate from the junction box.

Drill appropriate sized holes at the marked points and install the anchors.

Secure the mounting plate to the junction box and screw the anchors screws into the anchors.

Connect the fixture ground wire to a suitable ground in accordance to local electrical codes.

6 Connect the white fixture wire to the neutral power line wire with a wire nut. Connect

7 the black fixture wire to the hot power line wire with a wire nut.

8 Properly place all wires and wire nut connections into the junction box/fixture base, mount the fixture onto the mounting plate, and secure it in place using the fixture screws.

10 Screw the lamps into the sockets. Refer to the label on the socket for Max Wattage Information.

Align the shade holes with the fixture holes and secure the shade in place by screwing in the thumb screws beginning with the side screws.

NOTE: Side screws must be installed first, then the center screws for proper installation.

SAVE THESE INSTRUCTIONS!

GENERATION LIGHTING

7400 Linder Ave, Skokie, IL 160077

800.969.3347

www.generationlighting.com

© 2019 Generation Lighting. All rights reserved.

The "Generation Lighting" graphic is a registered trademark of Generation Lighting. Generation Lighting reserves the right to change specifications for product improvements without notification.