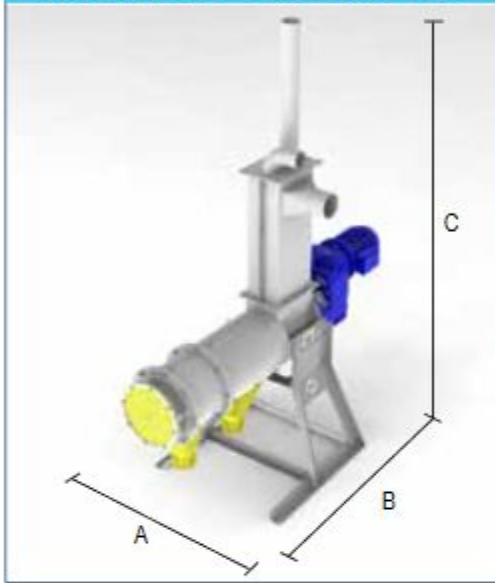


EXTENDED VERSION 065

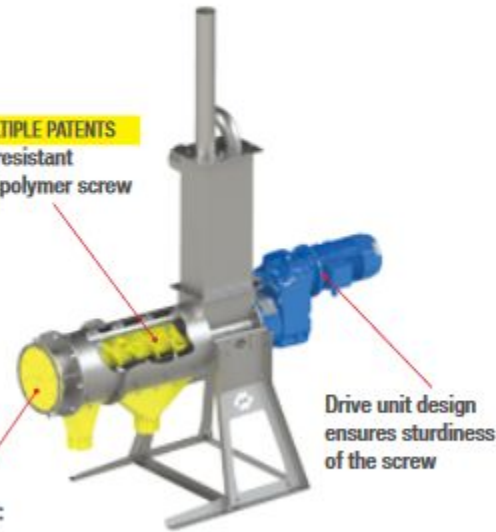


Technical Features and Overall Dimensions

SEPCOM™ Cow Horizontal Cattle Manure Separator

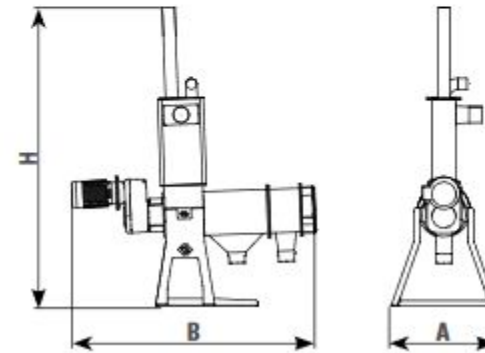
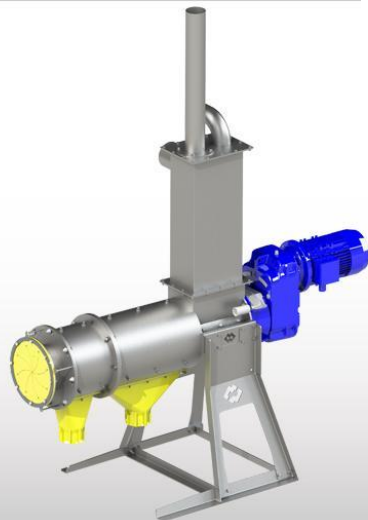
MODEL	Diameter mm	A mm	B mm	H mm	Power kW	Weight kg	Max. Throughput m ³ /h *
SEPCOWH12603	260	980	2,230	2,770	5.5	535	65

MULTIPLE PATENTS
Wear-resistant
SINT® polymer screw



Drive unit design ensures sturdiness of the screw

Diaphragm outlet:
self-adjusting
counter-pressor
MULTIPLE PATENTS



* The flow rate is intended with clean water. Its real value depends on the type of material treated, on configuration of the equipment, as well as use and maintenance conditions.

Solid Separator

