



Which item is missing?



Study the first slide for 30 seconds and try to see which item is missing in the second slide. Good luck!

#2

Study it!

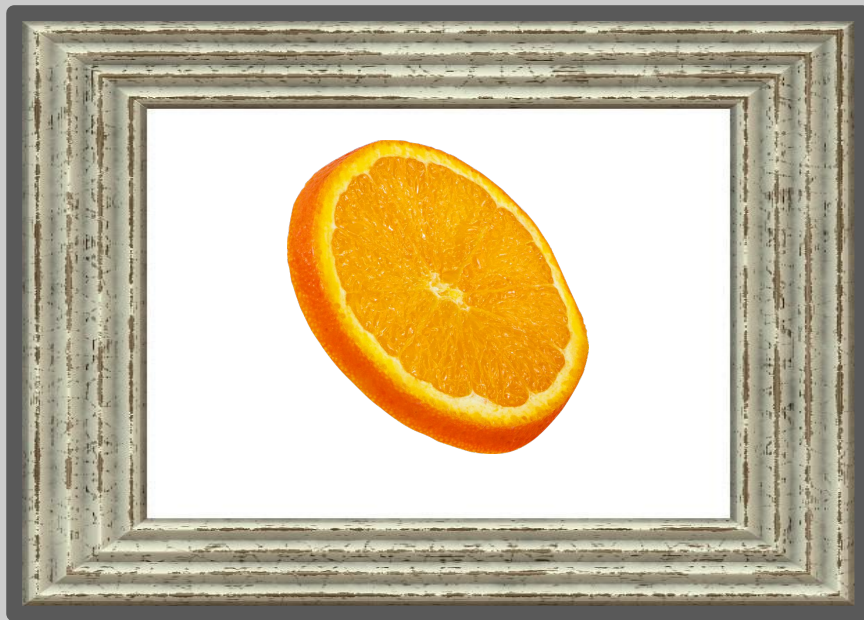


Which item is missing





answer



next game

Study it!



Which item is missing





answer



next game

Study it!

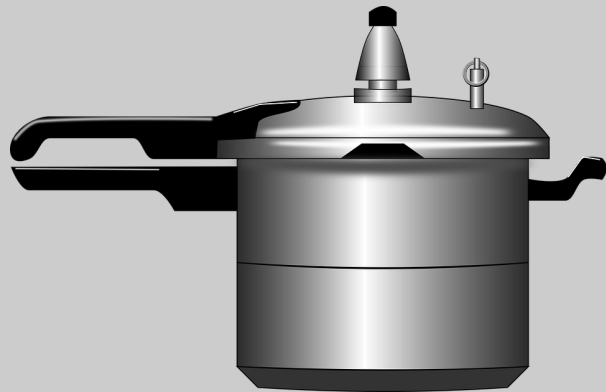


Which item is missing





answer



next game

Study it!



Which item is missing





answer



next game

Study it!

LOVE



Which item is missing



LOVE



answer



next game

Study it!



Which item is missing





answer



next game

Study it!



Which item is missing





answer



next game

Study it!



Which item is missing





answer





great job!