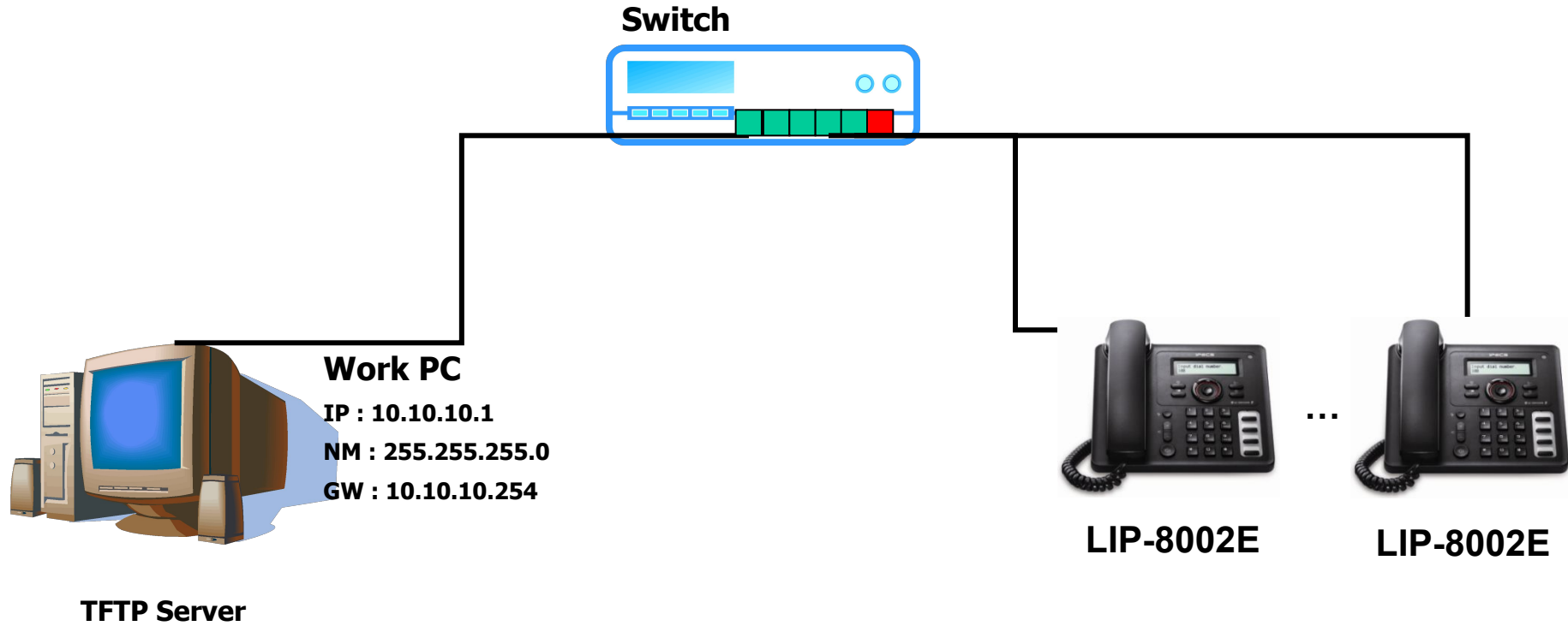


# Network Environment



## ❖ **Work to upgrade**

1. Run TFTP server in PC and put the downloading files in the root directory of the TFTP server. The list of files to download is  
image452\_8002.bin  
LIP\_8002E\_VER\_ALL  
mnt\_8002.tar  
vmlinuz\_8002
2. Connect the phone to Switch by LAN cable and then turn on the phone.
3. Press and hold the **Up** of Navigation key and **2** button while the phone is booting.
4. When “**Enter Password**” is displayed, input the password : **1234**.
5. Input the configured IP address[10.10.10.2] in **IP?**, Subnet Mask[255.255.255.0] in **NetMask?**, Default Gateway[10.10.10.254] in **GW?** and TFTP server address[10.10.10.1] in **Server?**.  
To use the configured address, press **OK** button in each configuration.  
To upgrade the other phone, enter new IP address(ex. 10.10.10.3)
6. Phone downloads and writes images.
7. Phone rebooted automatically.
8. Please wait until the upgrade is automatically complete.  
After completion of the upgrade, Check the LCD print out as the followings



CONNECTING.. [10Bp]

9. Turn off the phone